

RFD Round Floor Drain

SPECIFICATION:

RFD Model Round Floor Drains are constructed of 16-gauge 18-8 type #304 stainless steel. All corners are fully welded, ground and polished smooth. Drain has built-in crease bottom toward waste with a removable stainless steel waste strainer to fit into 4" OD tail piece. Unit is 4" deep with a 1 1/2" surface flange, and shall be installed with high-temperature, non-drying, food-grade sealant in a 10" diameter floor opening.

PRODUCT GUIDE:

IMC Round Floor Drains are designed to provide sanitary carefree use - to permit quick, efficient and thorough cleaning.

Specify this product as an additional or secondary waste for walk-in refrigerators and freezers, roll-in proof boxes and rack ovens, and pot/pan, utility and soak sinks, or behind steamers.

Installation is easily accomplished by boring a hole in the floor and connecting to the building waste system. Use a high temperature food-grade sealant to seal the unit. If a more secure installation is desired, specify the Correctional Package with tamper-proof fasteners.

OPTIONS:

- 14-gauge construction
- Smaller drain for 8" diameter floor opening
- Correctional design
- 1/8" stainless steel grate



*Price page 49

Specifications subject to change without notice.



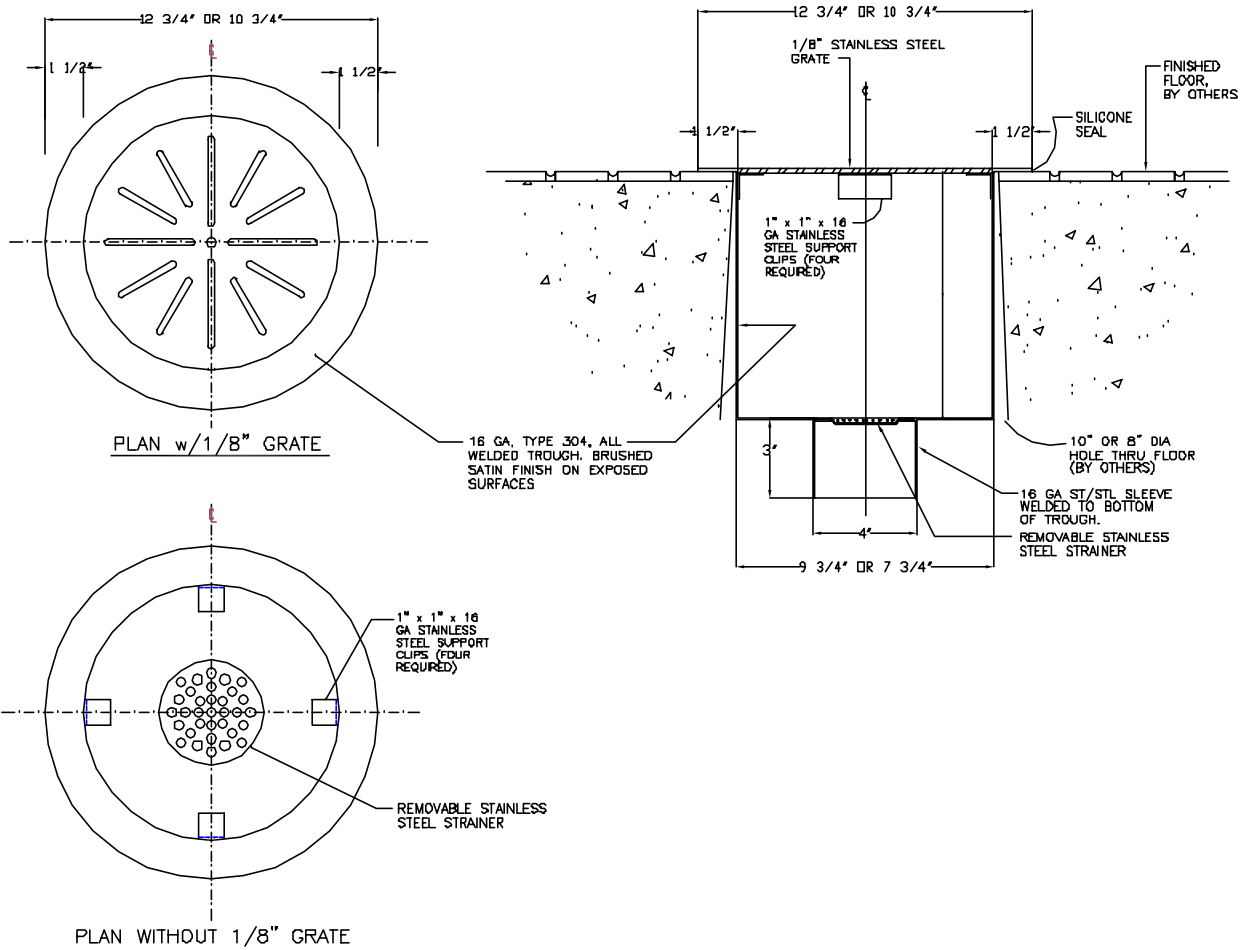
P.O. Box 206
Copiague, NY 11726-0206

800-221-5644/631-789-8881
Fax: 631-789-3633

RFD-30 1007

www.imcteddy.com

RFD Round Floor Drain



ROUND FLOOR DRAIN - 4" (100mm) Deep

MODEL	SIZE (W x L)	METRIC	WEIGHT
RFD-10	9 3/4" ID	248 ID	15
RFD-8	7 3/4" ID	197 ID	12
RG-10	1/8"-10" Round Stainless Steel Grate	3.1 x 254 Round	5
RG-8	1/8"-8" Round Stainless Steel Grate	3.1 x 203 Round	4

*See Price book page 49 & 58-59 for additional sizes and options.

Specifications subject to change without notice.



P.O. Box 206
Copiague, NY 11726-0206

800-221-5644/631-789-8881
Fax: 631-789-3633

www.imcteddy.com

RFD-30 1007