

UT - Utility Carts

SPECIFICATION:

UT Model Utility Carts are tubular framed with integral handle on both sides. 20ga stainless steel shelves have non-drip edges.

5" diameter swivel casters with rotating bumpers are standard.

PRODUCT GUIDE:

All welded construction for rigidity and strength. Non-drip edges and easy cleaning make this ideal for all sanitary locations.

OPTIONS:

- 14ga Correctional package
- Custom sizes
- Other shelf size/spacing



*Price Page 77

Specifications subject to change without notice.



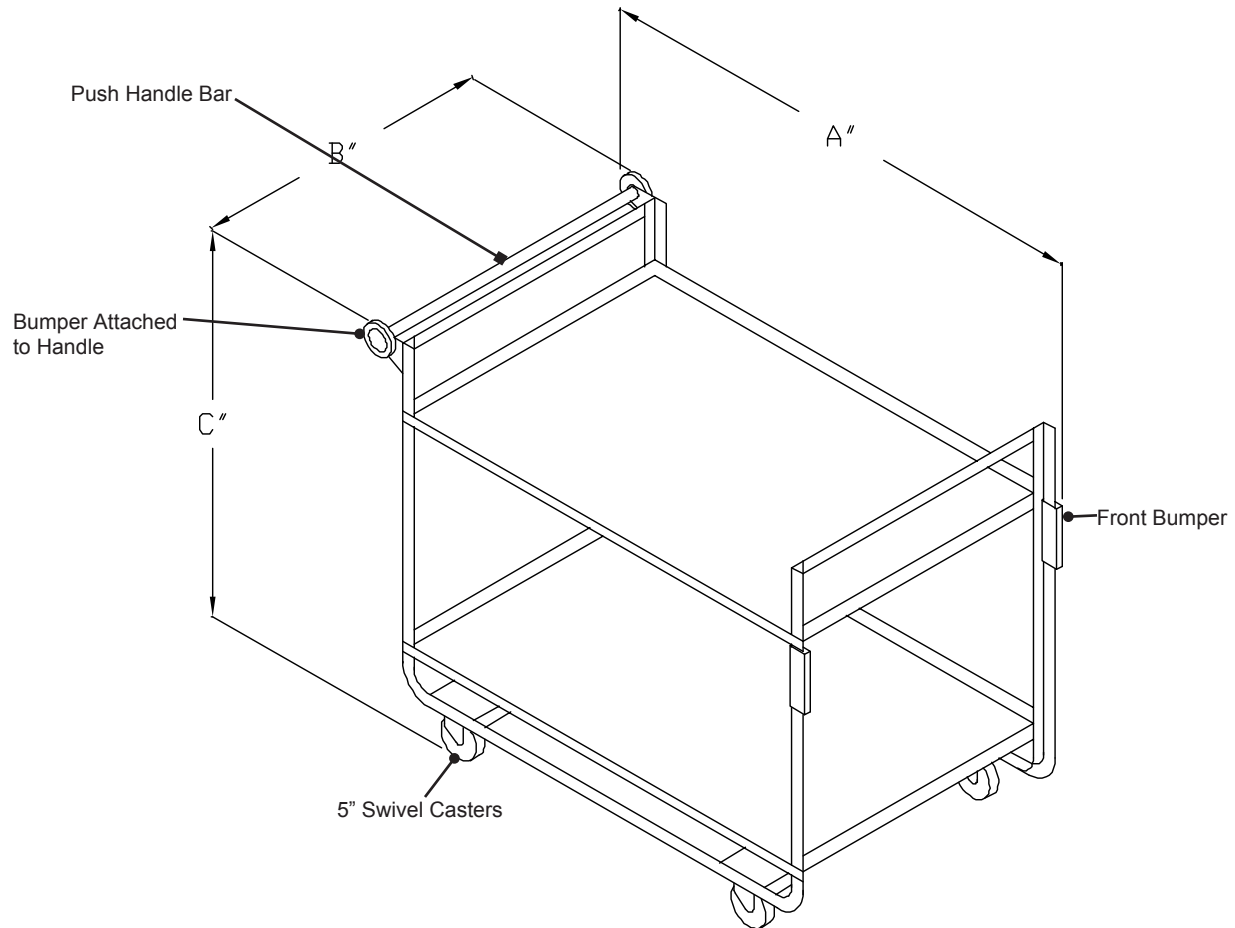
P.O. Box 206
Copiague, NY 11726-0206

800-221-5644/631-789-8881
Fax: 631-789-3633

www.imcteddy.com

UT-20 1007

UT - Utility Carts



MODEL #	# OF LEVELS	WIDTH (B)	LENGTH (A)	HEIGHT (C)	WEIGHT
Conventional Handles					
UT2236-2	2	22"	36"	36 1/2"	120
UT2236-3	3	22"	36"	36 1/2"	132
Handles with Bumpers					
UT3038-2	2	30"	38"	40"	140
UT3038-3	3	30"	38"	40"	154

*See Price book page 77 for sizes and options.

Specifications subject to change without notice.



P.O. Box 206
Copiatague, NY 11726-0206

800-221-5644/631-789-8881
Fax: 631-789-3633

www.imcteddy.com

UT-20 1007