

TMS - Universal Slicer & Mixer Stand

SPECIFICATION:

TMS Model Tubular Equipment Stand is constructed of 14-gauge #304 stainless steel with sanitary marine worktop and heavy duty 16-gauge tubular support legs with 5" diameter casters (two with brakes). Optional angle slides are welded to the uprights in pairs. Alternately, undershelf and bottom shelf can be substituted. See options and price page.

TMSS Model is same as TMS except stationary with adjustable feet.

TMS Model shown here with optional accessory holder

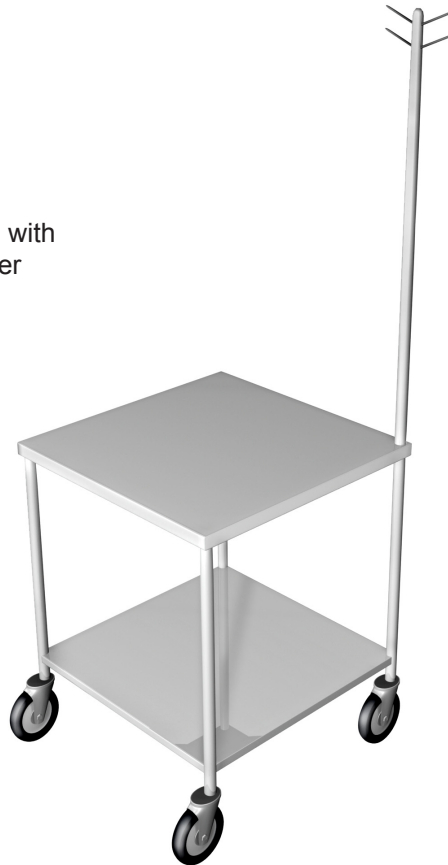
PRODUCT GUIDE:

IMC Slicer/Equipment Stands are specially designed to provide sanitary carefree use - to permit quick, efficient and thorough cleaning.

These units are compact design and utilized throughout the facility to store and transport equipment. Tray slides and drawers are used to transport and store hand appliances and other accessories.

OPTIONS:

- 5" diameter casters with brakes
- "Posi-Loc" positive locking system (for mobile units)
- Stainless steel drop shelf
- Angle slides
- Removable pan slides
- Accessory holder
- Seismic bolt-down legs
- 6" NFS adjustable legs
- Undershelves/bottom shelf
- Undermount drawer



*Price Page 73

Specifications subject to change without notice.



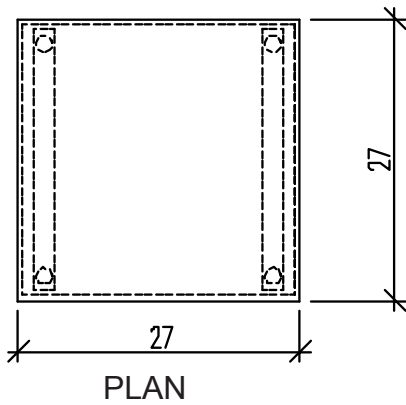
P.O. Box 206
Copiague, NY 11726-0206

800-221-5644/631-789-8881
Fax: 631-789-3633

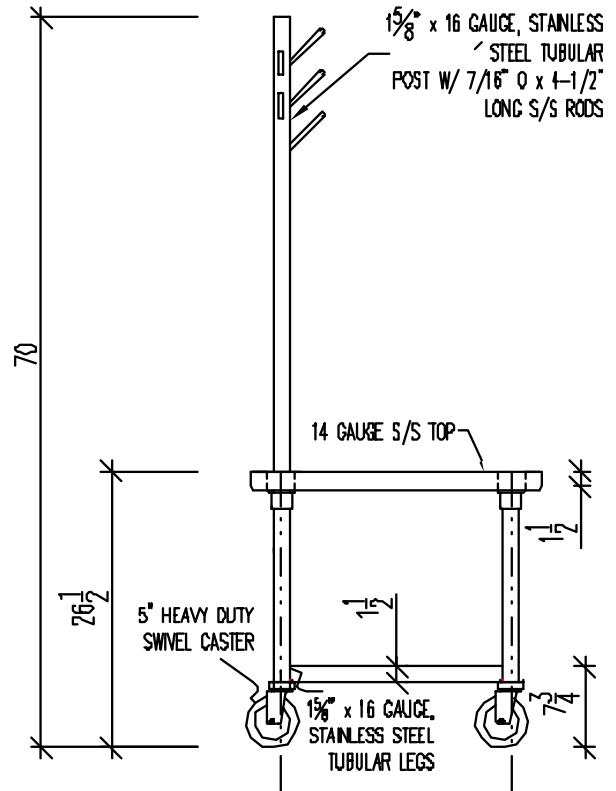
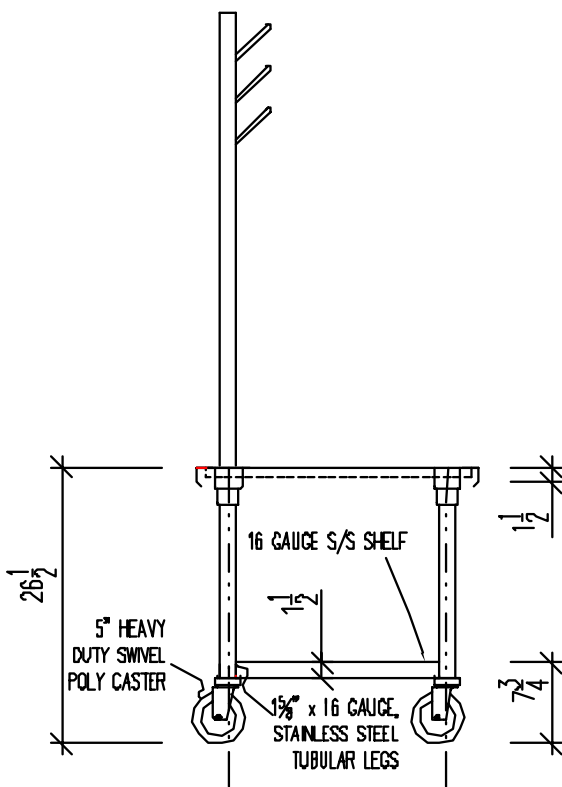
www.imcteddy.com

TMS-20 1007
TMSS-20 1007

TMS - Universal Slicer & Mixer Stand



TMS - Universal Slicer/Mixer Stand
(shown with options)



*See Price book page 73 for options.

Specifications subject to change without notice.



P.O. Box 206
Copiague, NY 11726-0206

800-221-5644/631-789-8881
Fax: 631-789-3633

www.imcteddy.com

TMS-20 1007
TMSS-20 1007