

## MBS - Mobile Bowl Stand

### SPECIFICATION:

**MBS Model** Mixing Bowl Stand is made of 16ga type 304 stainless steel with a flat top cutout for a mixing bowl. The stand is supported on 1 5/8" diameter 16ga tubular supports and 5" diameter casters.

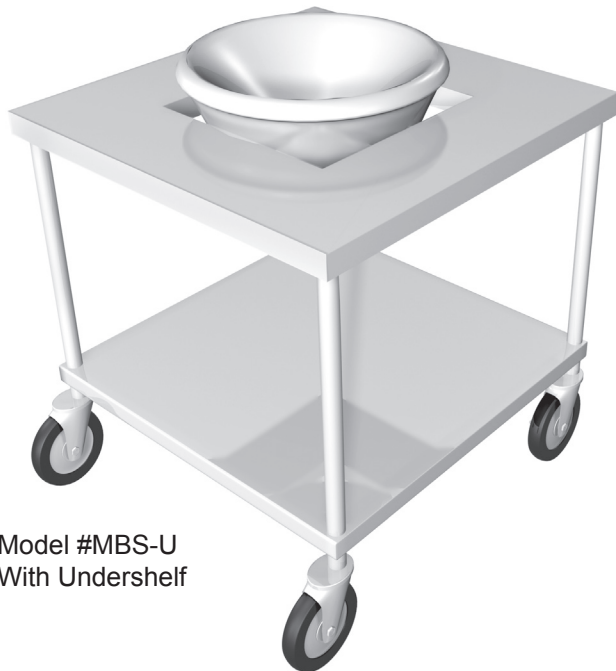
An adjustable undershelf holds accessories.

### PRODUCT GUIDE:

The MBS mobile mixing stand is designed to safely transport 30 or 80 quart filled bowls within the kitchen. The undershelf provides additional utility space.

### OPTIONS:

- Custom sizes
- Brakes on all casters



Model #MBS-U  
With Undershelf



Model #MBS-T  
With Trayslides

\*Price Page 73

Specifications subject to change without notice.



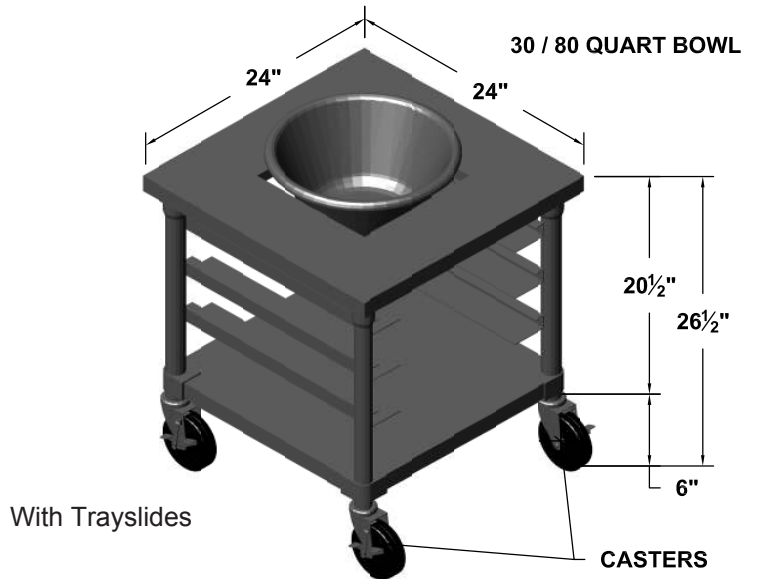
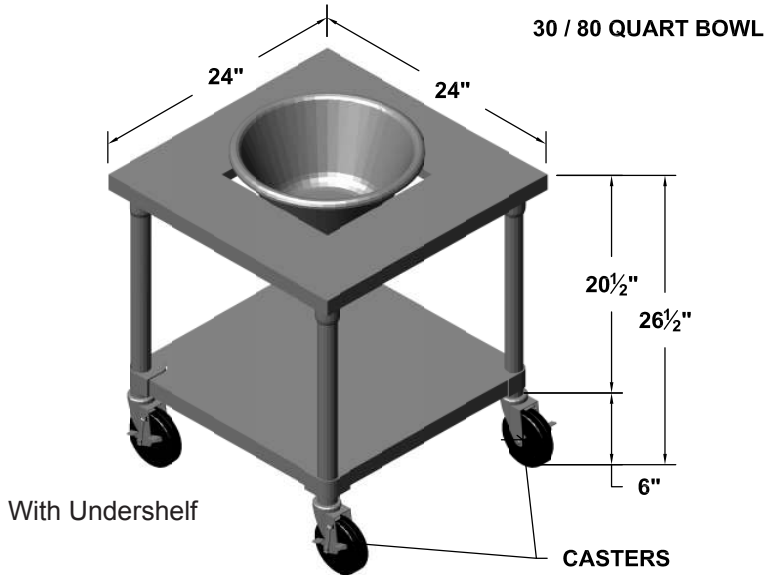
P.O. Box 206  
Copiague, NY 11726-0206

800-221-5644/631-789-8881  
Fax: 631-789-3633

MBS-20 1007

[www.imcteddy.com](http://www.imcteddy.com)

# MBS - Mobile Bowl Stand



MODEL #	DESCRIPTION	WIDTH	LENGTH	HEIGHT	WEIGHT
MBS-U30	Mobile 30 Qt. Bowl Stand with Undershelf	24"	24"	36"	70
MBS-T30	Mobile 30 Qt. Bowl Stand with Tray Slides and Undershelf	24"	24"	36"	70
MBS-U80	Mobile 80 Qt. Bowl Stand with Undershelf	32"	32"	36"	85
MBS-T80	Mobile 80 Qt. Bowl Stand with Tray Slides and Undershelf	32"	32"	36"	85

\*See Price book page 73 for options.

Specifications subject to change without notice.



P.O. Box 206  
Copiague, NY 11726-0206

800-221-5644/631-789-8881  
Fax: 631-789-3633

MBS-20 1007

www.imcteddy.com