



701 S Ridge Avenue, Troy, OH 45374  
1-888-4HOBART • www.hobartcorp.com

## WPR-1200 WASTE PRO WASTE EQUIPMENT SYSTEM

HOBART

WPR-1200 WASTE PRO WASTE EQUIPMENT SYSTEM

### STANDARD FEATURES

#### PULPER:

##### ■ Pulper Tank:

25½" diameter.  
Investment cast stainless steel.  
Vibration isolators secure the motor and the tank to the stainless steel frame.  
Tank includes vibration isolation gasket.

##### ■ Pulping Disc:

5½" diameter stainless steel.

##### ■ Rotating Delta Shearing Cutters:

Investment cast stainless steel 17-4 cutting edges.  
Mounted on pulping disc to provide shearing action

##### ■ Particle Sizing Ring:

Investment cast 17-4 stainless steel.  
Matched to pulping disc.

##### ■ Stationary Shearing Cutters:

S-7 tool steel cutting edges.  
Mounted on tank wall to provide shearing action.

##### ■ Legs:

Tubular stainless steel.  
Adjustable ¾" in either direction.

##### ■ Water Consumption:

0-4 GPM with 25 psi line pressure.

##### ■ Empty Cycle

#### WATERPRESS:

See separate specification sheets.

### ELECTRICAL:

##### ■ Pulper Motor:

6.0 horsepower. Total Enclosed Fan Cooled (TEFC) motor.  
Direct drive with 1½" diameter stainless steel shaft.

##### ■ Controls:

Prewired electrical control panel per UL508.  
NEMA 4 enclosure.  
120 volt pilot circuit.  
Overload protection.  
Junction box with terminal strips mounted on drive motor housing for easy access.

##### ■ Remote "Start-Stop" push-button station.

### MODEL:

- WPR-1200 Remote Waste Equipment System

### OPTIONS

#### FREE-STANDING MODELS:

##### Feed Tray Assembly:

Stainless steel construction.  
Ergonomically designed.  
Removable splash curtain.  
24" x 25" feed tray.

- Optional feed tray flush nozzle.

##### Hinged Cover:

Interlocked to prevent operation when opened.

#### UNDERCOUNTER MODELS:

##### Removable Cover Plate:

Integrated interlock switch.  
Rubber boot included with pulper tank lid.

##### Feed trough connection.

- 9" wide
- 12" wide

##### Electrical controls:

Flush-mounted enclosure

##### SWS40 transfer pump.

##### Motorized drain valve.

##### 2nd remote start/stop switch station.

##### Flange-style seismic feet.

##### Trough magnet.

##### Programmable logic control.

##### Buss communication.

Specifications, Details and Dimensions on Inside and Back.



# WPR-1200 WASTE PRO WASTE EQUIPMENT SYSTEM



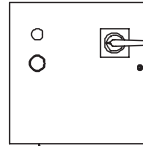
701 S Ridge Avenue, Troy, OH 45374  
1-888-4HOBART • www.hobartcorp.com

## DETAILS AND DIMENSIONS

### WARNING

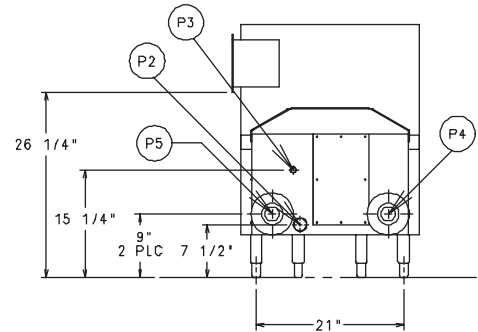
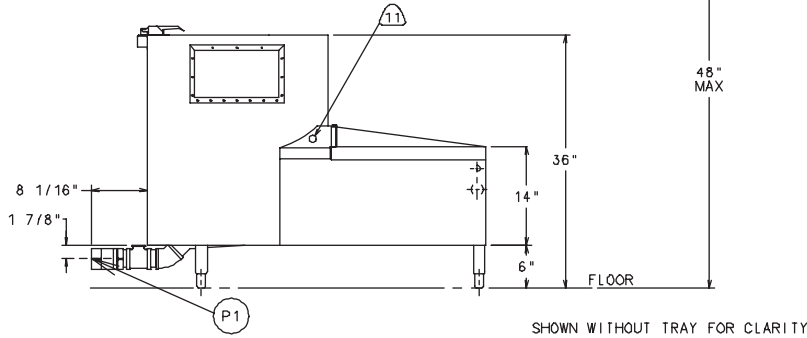
ELECTRICAL AND GROUNDING CONNECTIONS MUST COMPLY WITH THE APPLICABLE PORTIONS OF THE NATIONAL ELECTRICAL CODE AND/OR OTHER LOCAL ELECTRICAL CODES.

PLUMBING CONNECTIONS MUST COMPLY WITH APPLICABLE SANITARY, SAFETY AND PLUMBING CODES.

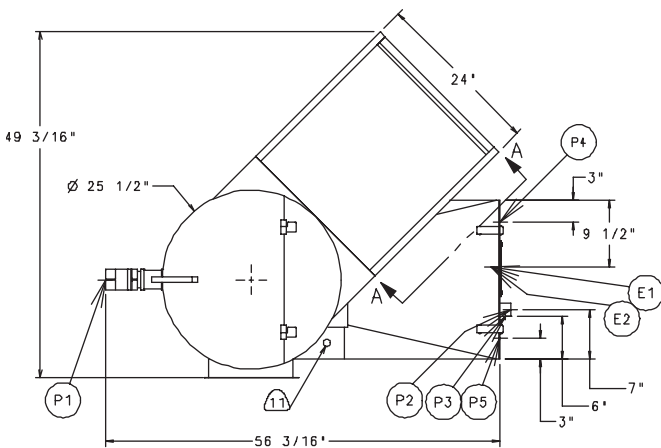
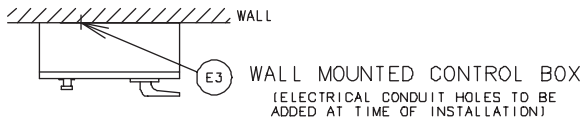


### GENERAL NOTES

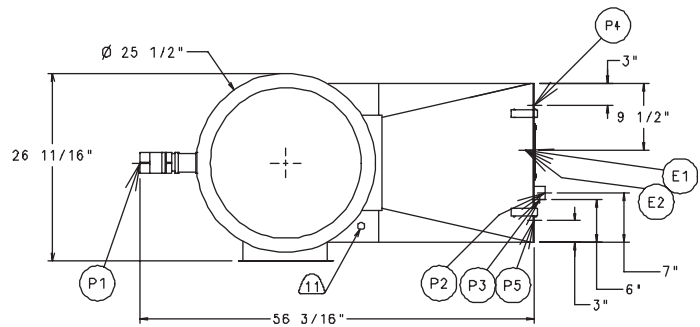
1. ALL DIMENSIONS TAKEN FROM FLOOR LINE MAY BE INCREASED OR DECREASED BY 3/4".
2. ELECTRICAL CONTROL PANEL, BY HOBART, SHOULD BE LOCATED WITHIN SIGHT OF PULPER AND BE EASILY ACCESSIBLE.
3. APPROXIMATE SHIPPING WEIGHT: 875 LBS.
4. OVERALL CRATE SIZE: 30"W X 88"L X 72"H. MAX (175 CU. FT.)



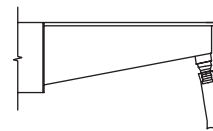
Side Views - All Models



Top View - WPR1200 Free Standing



Top View - WPR1200 Undercounter



OPTIONAL FEED TRAY  
VIEW A-A

### ELECTRICAL NOTES

1. ELECTRICAL CONTROL PANEL IS A SURFACE MOUNTED ENCLOSURE AVAILABLE IN NEMA 4 (SST), REMOTE-(20 X 20 X 8)
2. EACH ELECTRICAL CONTROL PANEL IS PREWIRED FROM THE FACTORY AND CONTAINS THE FOLLOWING ITEMS:
  - (A) MAIN CIRCUIT BREAKER (THERMAL MAGNETIC) INTERLOCKED WITH DOOR HANDLE.
  - (B) MAGNETIC CONTROLLER WITH OVERCURRENT PROTECTION FOR EACH MOTOR.
  - (C) STEP-DOWN TRANSFORMER FOR 115 VOLT (NOMINAL) CONTROL CIRCUIT OPERATION.
  - (D) ALL CONTROLS DESIGNED TO MEET THE REQUIREMENTS OF UL-508
3. CONTROL CIRCUIT TO BE 115 VAC NOMINAL
4. ALL CONTROL PANELS ARE TO BE WIRED IN ACCORDANCE TO LOCAL, STATE AND/OR NATIONAL ELECTRIC CODE SPECIFICATIONS

5. REMOTE PUSHBUTTON STATION TO BE MOUNTED & WIRED AT WORKSTATION BY CUSTOMER. (BRACKET SUPPLIED BY CUSTOMER)
6. REMOTE PUSH BUTTON STATION HOUSES TWO (2) ILLUMINATED PUSH BUTTONS.
7. EQUIPMENT DRIVE MOTORS ARE PROVIDED AS FOLLOWS:
  - (A) PULPER DRIVE MOTOR IS TOTALLY ENCLOSED, FAN COOLED.
  - (B) RECIRCULATING PUMP MOTOR IS TOTALLY ENCLOSED, FAN COOLED.
8. CUSTOMER TO PROVIDE ALL INTERCONNECTING WIRING FROM PREWIRED ELECTRICAL CONTROL PANEL TO PREWIRED TERMINAL BLOCKS. ELECTRICAL WIRING DIAGRAM PROVIDED WITH EACH PULPER.

### CONNECTION INFORMATION

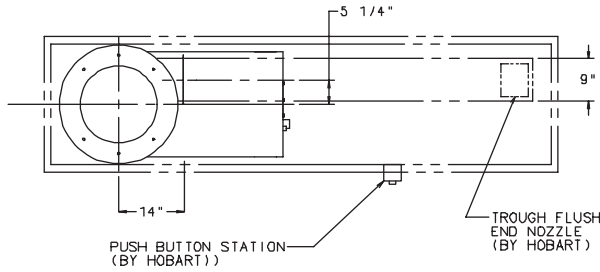
(AFF - ABOVE FINISHED FLOOR)

- E1 ELECTRICAL CONNECTION - PULPER DRIVE MOTOR.
- E2 ELECTRICAL CONNECTION - RETURN PUMP MOTOR
- E3 ELECTRICAL CONNECTION - SERVICE SUPPLY 1-3/4" CONDUIT HOLE
- P1 DRAIN VALVE OUTLET CONNECTION (PIPE TO FLOOR SINK), 2" NPT (MALE), 4" AFF.
- P2 RETURN WATER OUTLET CONNECTION, 1-1/2" FPT (FEMALE), 7-1/2" AFF.
- P3 FRESH COLD WATER INLET CONNECTION, 1/2" FPT (FEMALE), 15-1/4" AFF.
- P4 RETURN WATER INLET CONNECTION, 2" FPT (FEMALE), 9" AFF.
- P5 SLURRY OUTLET CONNECTION, 2" FPT (FEMALE), 9" AFF.

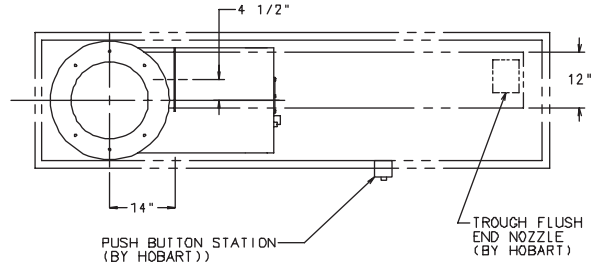


701 S Ridge Avenue, Troy, OH 45374  
1-888-4HOBART • www.hobartcorp.com

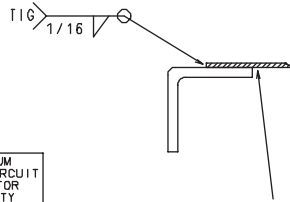
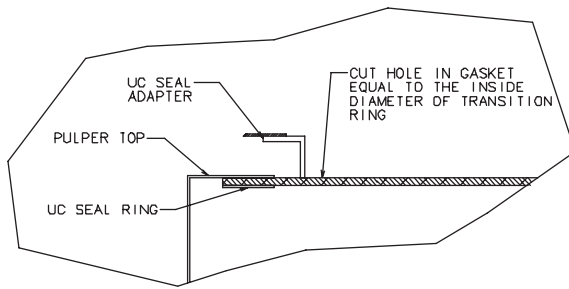
# WPR-1200 WASTE PRO WASTE EQUIPMENT SYSTEM



PLAN VIEW WPR-1200 UC PULPER  
SHOWN WITH 9" TROUGH CONNECTION



PLAN VIEW WPR-1200 UC PULPER  
SHOWN WITH 12" TROUGH CONNECTION



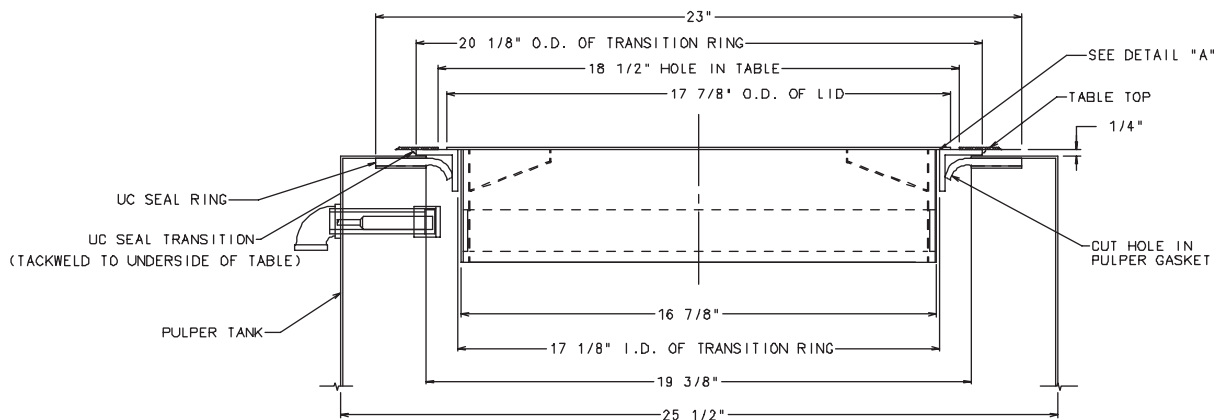
### DETAIL "A"

INTERMITTENT TACK WELD TO UNDERSIDE OF TABLE TOP.  
HOLE IN TABLE SHOULD BE 18-1/2" DIA ± 1/16"  
UC TRANSITION RING ATTACHMENT TO TABLE

POWER SUPPLY	PULPER MOTOR	RATED AMPS	MINIMUM SUPPLY CIRCUIT CONDUCTOR CAPACITY
208/60/3	6 HP	16.5	20
230/60/3	6 HP	16.0	20
460/60/3	6 HP	8.0	15

### PLUMBING NOTES

- CUSTOMER TO PROVIDE ALL INTERCONNECTING SLURRY AND RETURN PIPING FROM PULPER TO WATERPRESS AND FROM PULPER DRAIN LINE TO FLOOR SINK OR FLOOR DRAIN. RECOMMENDED BUILDING FLOWING WATER PRESSURE TO THE PULPER IS 30 PSIG MIN (12 GPM). IF FRESH WATER SUPPLY PRESSURE IS HIGHER THAN 45 PSIG, A PRESSURE REGULATING VALVE MUST BE INSTALLED IN THE WATER LINE (BY OTHERS).
- RECOMMENDED PIPING TO BE STANDARD TYPE "M" COPPER.
- TROUGH RETURN WATER PIPING TO BE TYPE L COPPER, SCHEDULE 40 GALVANIZED OR EQUIVALENT (PVC PIPING NOT ACCEPTABLE)
- TERMINATE FRESH WATER LINE AND TROUGH CONNECTIONS WITH UNION OR FLANGE TYPE FITTING.
- HOT AND COLD WATER HOSE BIBS (FOR DAILY CLEANING OF UNIT), TO BE INSTALLED CLEAR OF BUT ACCESSIBLE TO UNIT, WITH A HEAVY DUTY HOSE AND SQUEEZE VALVE. (SUPPLIED BY OTHERS).
- FLOOR DRAIN OR FLOOR SINK (ACCORDING TO LOCAL CODE REQUIREMENTS), TO BE KEPT CLEAR OF, BUT ACCESSIBLE TO THE UNIT.
- PROTECT ALL EQUIPMENT AND RELATED PIPING FROM FREEZING TEMPERATURES AND CONDENSATION.
- PLUMBING MUST RUN UPHILL TO TROUGH CONNECTION.
- IF 3/8" AIR LINE IS RUN UNDERGROUND, A LOOP SEAL EXTENDING 3" ABOVE THE HIGHEST POINT ON THE PULPER MUST BE PROVIDED.
- NO EXTERNAL STRAIN TO BE EXERTED ON HOBART EQUIPMENT.
- (11)** DRAIN FLUSH LINE, 1" Ø HOSE PROVIDED, (CONNECT TO PIPE NIPPLE ON SILVER SAVER WITH HOSE CLAMP)



THE UC GASKET IS HELD TO THE UNDERSIDE OF THE PULPER TOP BY THE TWO HALVES OF THE TOP SEAL RING AND WELD STUDS. ELEVATE THE PULPER UNTIL THE GASKET IS IN CONTACT WITH THE BOTTOM EDGE OF THE UC TRANSITION RING. FROM THE INSIDE OF THE PULPER, CUT A HOLE IN THE GASKET USING THE TRANSITION RING AS A GUIDE (ROUGHLY 17-1/8"). ELEVATE THE PULPER THE REMAINDER OF THE WAY SINKING THE TRANSITION RING INTO THE HOLE IN THE GASKET. AS THE PULPER IS ELEVATED, PULPER TROUGH CONNECTION AND TABLE TROUGH FLANGE MUST BE ALIGNED.

WPR-1200 UNDERCOUNTER MOUNTING DETAIL

MODEL: WPR1200 FS/UC  
OPERATION  
E-316104/E-316105  
REV. B

# WPR-1200 WASTE PRO WASTE EQUIPMENT SYSTEM



701 S Ridge Avenue, Troy, OH 45374  
1-888-4HOBART • www.hobartcorp.com

## Benefits of Waste Equipment

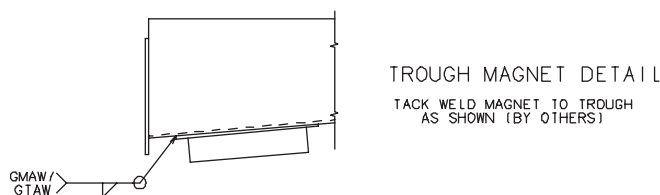
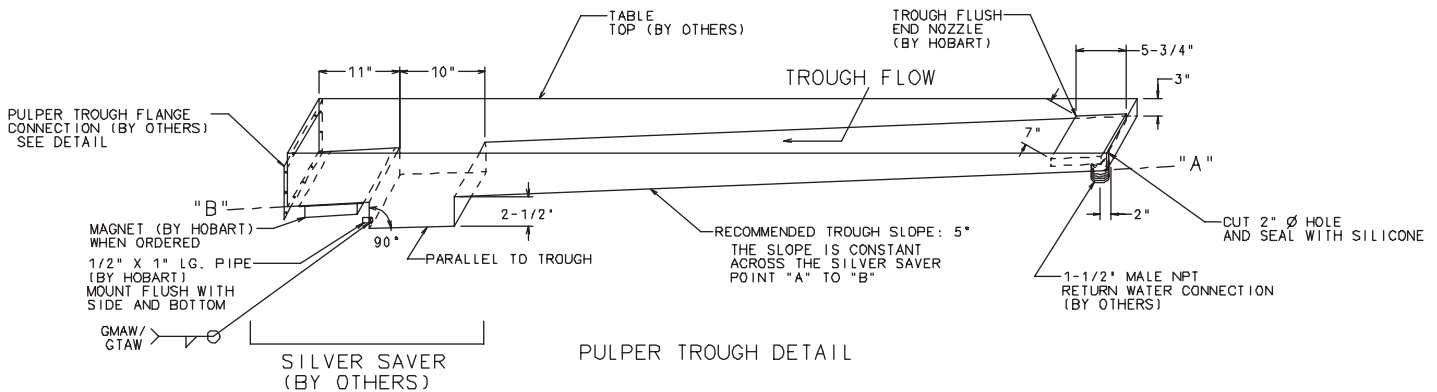
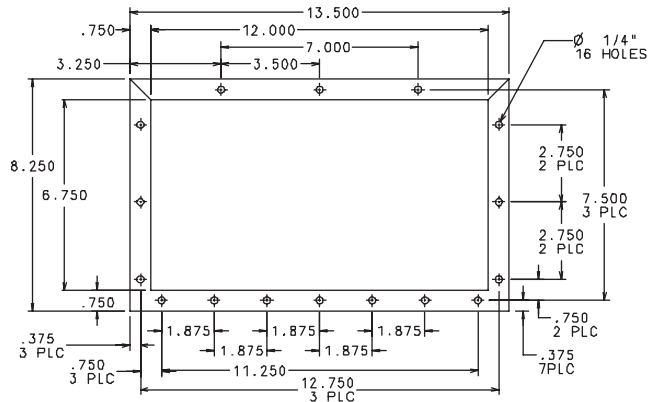
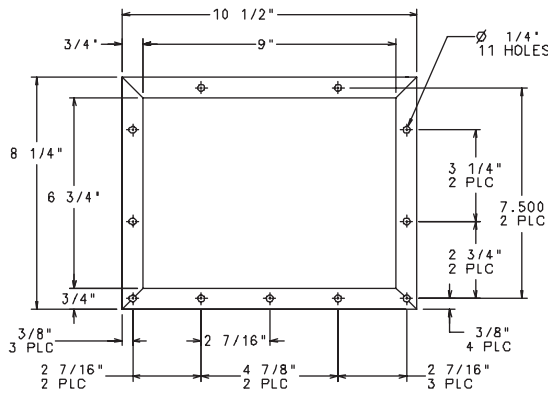
- Up to 88% reduction of waste volume.
- Savings on water usage.
- Reduced sewer costs.
- Labor Savings:
  - Reduction in man hours to haul waste to pick-up area.
  - Eliminates the need to sort paper from food waste.

– Dishwashing labor reduced by speeding up the scrapping operation.

- Reduction in solids discharged to sewer lines as compared to a food waste disposer.

\* Based on foodservice waste mix of 41% food soil, 32% free liquid, 10% paper, 11% cardboard, 2.2% polystyrene, 1% film, 1% miscellaneous, 1% polypropylene (e.g. straws). Always consult your local Hobart representative to review and verify the content of your waste mix.

## TABLE TROUGH CONNECTION FLANGES



As continued product improvement is a policy of Hobart, specifications are subject to change without notice.