

**HOBART**701 S Ridge Avenue, Troy, OH 45374  
1-888-4HOBART • www.hobartcorp.com**6460M  
PEELER****HOBART**

Peels 50-60 pounds of potatoes in just three minutes—without even a single complaint! Load after load, the heavy duty design of the 6460M is specially created to handle the high volume operator's potato peeling task, day in and day out, allowing your employees to concentrate on other work assignments.

### STANDARD FEATURES

- Heavy Duty One Piece Positive Locking Molded Polyester Plastic Hopper Cover
- Four Cast Aluminum Legs with Two Heavy Duty Wheels
- Side Mounted Water Inlet with Hose Fitting
- Stainless Steel Peel Strainer
- Silicon Carbide Abrasive Disk
- Stainless Steel Drive Shaft
- #4 Polished Satin SST Finish
- 1 H.P. Motor with Manual Reset Overload Protection

Specifications, Details and Dimensions on Inside and Back.

**6460M PEELER**

# 6460M PEELER



701 S Ridge Avenue, Troy, OH 45374  
1-888-4HOBART • www.hobartcorp.com

## SOLUTIONS / BENEFITS

**Increased Productivity** - eliminates mundane task of peeling; employees can be assigned to other responsibilities

**Improves Yield** - minimizes peel waste, providing increased portions per load

**Reduces Labor** - peels 50-60 pounds of potatoes and most root type vegetables in just 3 minutes

**Easy to Clean** - designed for fast and thorough cleaning procedures

### Heavy Duty One Piece Positive Locking Molded Polyester Plastic Hopper Cover

Durability, ease of cleaning

- Reinforced plastic molded, heavy duty
- Easily removable for cleaning

### Four Cast Aluminum Legs with Two Heavy Duty Wheels

Comfortable operating height, ease of mobility, durable

- Working height of machine is 31" from floor to bottom of discharge chute
- Two heavy duty wheels for ease of mobility
- Four cast aluminum legs

### Side Mounted Water Inlet

Cleanability, meets plumbing codes

- Water from inlet strikes the curved surface of hopper cover, promoting interior self-cleaning and preventing undesirable splash
- Sufficient height to meet plumbing codes

### Stainless Steel Peeler Unit and Strainer

Durability, easy clean-up

- Cylindrical construction heliarc-welded stainless steel
- Bottom drawer removable for ease of cleaning

### Silicon Carbide Abrasive Disk

Longevity of service, convenience, cleanability

- 20½" diameter lightweight fiberglass reinforced plastic disk with silicon abrasive permanently bonded for high volume usage
- Easily and quickly removed for cleaning

### Stainless Steel Drive Shaft

Durability, reliability

- Advanced design for long life and performance



701 S Ridge Avenue, Troy, OH 45374  
1-888-4HOBART • www.hobartcorp.com

## 6460M PEELER

### SPECIFICATIONS:

#### **HEAVY DUTY ONE PIECE POSITIVE LOCKING MOLDED POLYESTER PLASTIC HOPPER COVER:**

A one piece, reinforced polyester plastic molded, heavy duty, easily removable, positive locking hopper cover is provided for easy cleanup.

#### **FOUR CAST ALUMINUM LEGS WITH TWO HEAVY DUTY WHEELS:**

There are four cast aluminum legs. The working height of the machine is 31" from the floor to the bottom of the discharge chute. There are two heavy duty wheels attached to the legs for ease of mobility.

**SIDE MOUNTED WATER INLET:** The inlet is the air-gap type, mounted at the side of the peeler unit at sufficient height to meet plumbing codes. The water from the inlet forms a fan pattern of water into the unit. This design promotes interior self-cleaning and forms a water curtain which prevents undesirable splash.

#### **STAINLESS STEEL PEELER UNIT AND STRAINER:**

Cylindrical construction, heliarc-welded stainless steel with abrasive permanently bonded on interior surface of peeling hopper. The standard strainer has a stainless steel front and stainless steel rectangular drawer. The bottom of the drawer is removable for easy cleanup. Quick opening removable aluminum hopper door and positive, cam-type pressure lock. Discharge chute is cast aluminum. Peel trap unit consists of a base, strainer and legs.

**SILICON CARBIDE ABRASIVE DISK:** An extremely lightweight fiberglass reinforced plastic disc is 20½ inches in diameter. The silicon carbide abrasive is permanently bonded to the disc, assuring unequalled long service. Disc can be easily and quickly removed for cleaning by removing the heavy duty hopper cover. Two angle mounted wipers provide positive movement of waste into the outlet.

**STAINLESS STEEL DRIVE SHAFT:** Multigrip, poly V belt provides the direct speed reduction between motor and peeling disc. Belt adjustment may be accomplished from outside the machine. The stainless steel drive shaft is rigidly mounted on grease packed ball bearings. Advanced designed triple protection sealing prevents entrance of water into shaft bearings.

**#4 POLISHED SATIN SST FINISH:** Peeler and peel trap unit are #4 polished satin finished stainless steel. Plastic molded hopper cover is gray. Door and handle, discharge chute, and legs are cast aluminum and ball burnished for durability. Bottom of peeler unit is cushioned in resilient rubber trim molding.

**1 H.P. MANUAL RESET OVERLOAD PROTECTION:** Grease-packed ball bearings and ventilation within the peeler enclosure. Single phase is capacitor-start, induction run, and three phase is polyphase, squirrel-cage, induction run type.

**ELECTRICAL SPECIFICATIONS:** 120/60/1 - U L Listed.

**SWITCH:** Manual tumbler type, located on right side of discharge chute.

**CORD AND PLUG:** 8 foot flexible cord with plug per NEMA configuration.

**BASE:** Constructed with a closed top which prevents moisture from entering motor and drive unit. The sloping bottom insures the diversion of water into a two inch male drain pipe connection.

**WORKING CAPACITY:** Model 6460M Peeler peels 50-60 pounds in one to three minutes.

# 6460M PEELER



701 S Ridge Avenue, Troy, OH 45374  
1-888-4HOBART • www.hobartcorp.com

LISTED BY: UNDERWRITERS LABORATORIES INC. & NSF INTERNATIONAL

## DETAILS AND DIMENSIONS

### LEGEND:

E1-ELECTRICAL CONNECTION: APPROX 21" ABOVE FLOOR LINE  
P1-WATER CONNECTION: STANDARD 3/4" MALE HOSE  
P2-DRAIN CONNECTION: STANDARD 2" MALE PIPE THREAD

### NOTES:

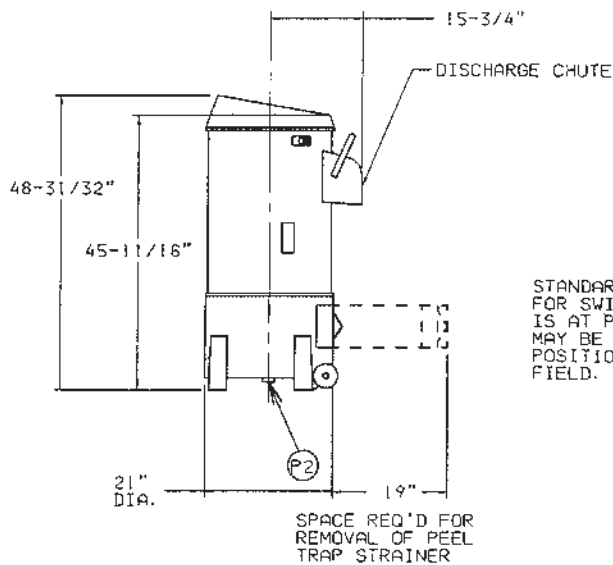
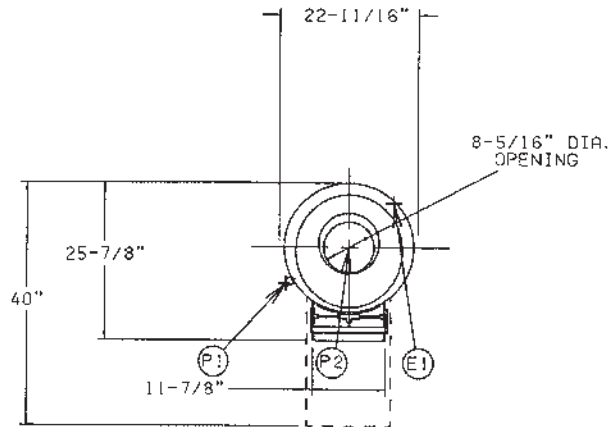
APPROXIMATE SHIPPING WEIGHT OF PEELER AND PEEL TRAP UNIT: 201 LBS.

NET WEIGHT OF PEELER AND PEEL TRAP UNIT: 190 LBS.

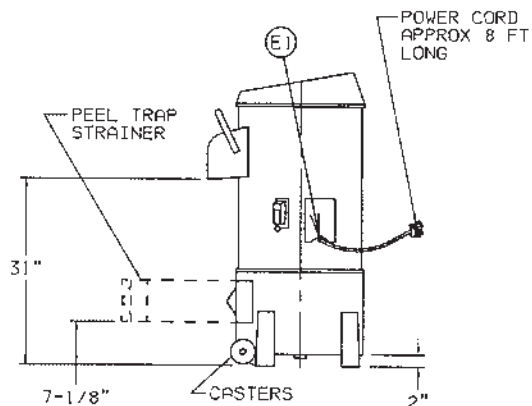
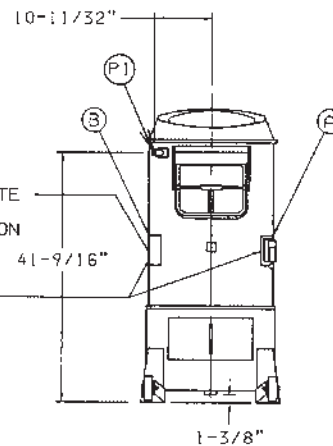
### WARNING

ELECTRICAL AND GROUNDING CONNECTIONS MUST COMPLY WITH THE APPLICABLE PORTIONS OF THE NATIONAL ELECTRICAL CODE AND/OR OTHER LOCAL ELECTRICAL CODES.

PLUMBING CONNECTIONS MUST COMPLY WITH APPLICABLE SANITARY, SAFETY AND PLUMBING CODES IN FORCE.



STANDARD LOCATION FOR SWITCH (OR TIMER) IS AT POSITION (A). MAY BE CHANGED TO POSITION (B) IN THE FIELD.



MODEL 6460M  
PEELER (WITH PEEL TRAP)  
D-479595  
REV. B

As continued product improvement is a policy of Hobart, specifications are subject to change without notice.