



701 S Ridge Avenue, Troy, OH 45374  
1-888-4HOBART • www.hobartcorp.com

# 4732-4732A MEAT CHOPPERS



## STANDARD FEATURES

- 3 H.P. Motor
- Compact Design
- Steel Gears
- Oil Bath Transmission
- Double Lip Seal
- 14 Gauge Stainless Steel Pan

## MODEL

- 4732 – Meat Chopper
- 4732A – Meat Chopper

Specifications, Details and Dimensions on Back.

## OPTIONS

- Stainless Steel Finish
- Removable Pan

## ACCESSORIES

- Floor Mount Legs



4732A

4732-4732A MEAT CHOPPERS

# 4732-4732A MEAT CHOPPERS



701 S Ridge Avenue, Troy, OH 45374  
1-888-4HOBART • www.hobartcorp.com

## SPECIFICATIONS

**Motor:** 3 H.P., with ball bearings, in a sealed enclosure. Front bearing lubricated by transmission, rear bearing is grease packed, sealed for life.

**Electrical:** 200/60/1, 230/60/1, 200/60/3, 230/60/3 and 460/60/3 – UL Listed. 220/50/1, 220/50/3, 380-415/50/3 – Not submitted for UL Listing.

**TRANSMISSION:** Double reduction, oil-lubricated hardened helical cut steel gears. Worm speed is only 151 RPM. Thrust from chopper worm is taken by a tapered roller bearing mounted in attachment hub on face of transmission housing. Double lip seal prevents loss of oil or entrance of moisture.

**CAPACITY:** Fresh meat capacity of 35 to 40 pounds per minute, first cutting, through a 1/8 plate – and 25 to 30 pounds of beef per minute on second cutting through a 1/8 plate.

**FEED PAN:** Feed pan features large capacity, measures 34" long, 21" wide and 4<sup>15/16</sup>" deep inside. Furnished in 14 gauge stainless steel. A cast aluminum guard is perma-

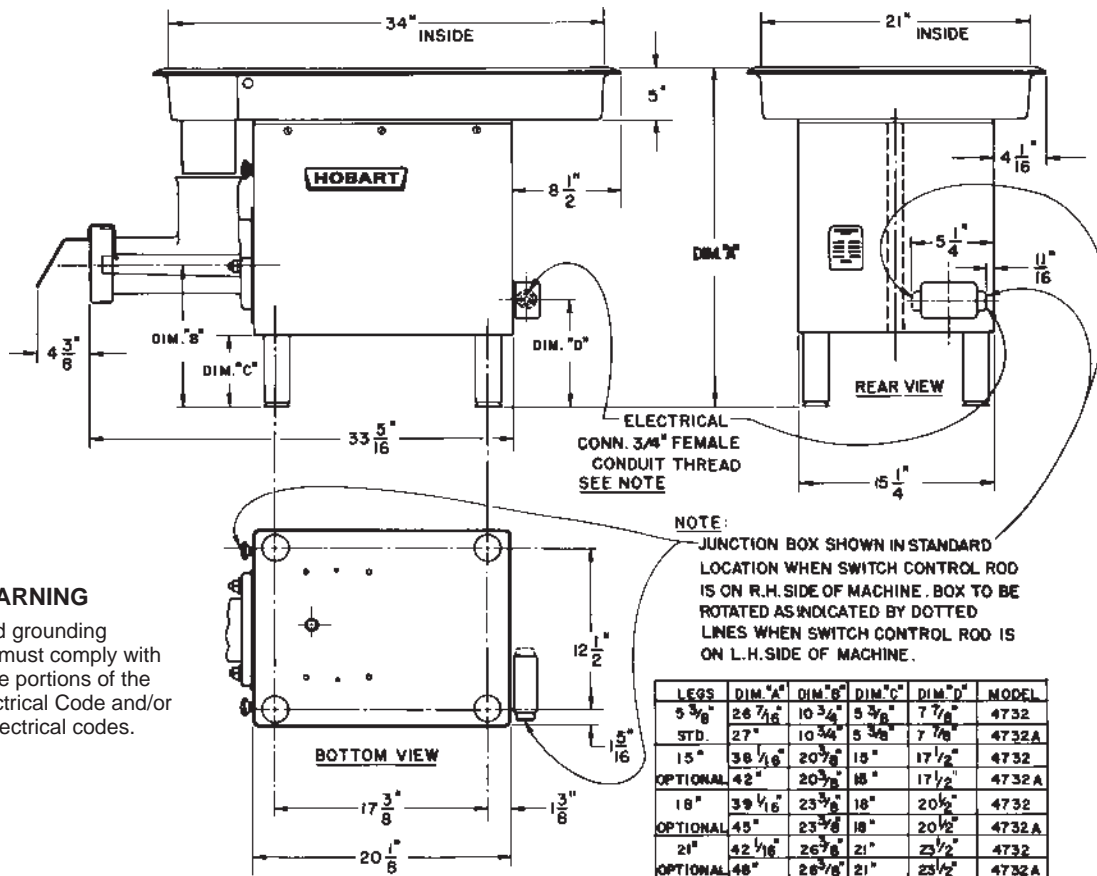
nently mounted to the front and sides of the pan with hardened steel drive screws. The pan is secured to the top of the housing with screws. It is separated from the motor area by a heavy sheet of fiberglass insulation to block transfer of heat from the motor compartment to the meat.

**LEGS:** Leg length on these standard table models provides 8" clearance between table and lowest point on adjusting ring. Legs in three different lengths (15", 18" and 21") are available at extra cost to convert machine into a floor model. The floor model can be leveled, by adjusting the legs.

**STANDARD EQUIPMENT:** Consists of working power unit, magnetic-type contractor wired to water-proof junction box on rear of machine; chopping end; stainless steel feed pan with guard; tinned steel meat deflector mounted to chopping end; plastic feed stomper; cylinder wrench (for loosening cylinder nuts, adjusting ring, or removing worm); 5/8" legs cushioned on the bottom with resilient neoprene feet.

**WEIGHT:** Model 4232 – Net 305 lbs. Shipping 318 lbs.

## DETAILS AND DIMENSIONS



### WARNING

Electrical and grounding connections must comply with the applicable portions of the National Electrical Code and/or other local electrical codes.

As continued product improvement is a policy of Hobart, specifications are subject to change without notice.