

HOBART701 S Ridge Avenue, Troy, OH 45374
1-888-4HOBART • www.hobartcorp.com**ULTRAVIEW
DELI CASES****HOBART****STANDARD FEATURES**

- Adjustable Frame for Presentation of Pans
- Flat Plate for Horizontal Presentation (Self-Serve Only)
- Mirrored Rear Sliding Doors
- Electronic Thermostat
- Calrod Elements Under Presentation Area
- Overhead Infrared Heaters
- Automatic Humidification System (Full-Serve Only)

ACCESSORIES

- Base with Two Locking Casters
- Cutting Board, 6" Depth
- Optional 4" Legs
- Water Treatment System
- Post Kit for Scale Mount

MODELS

- HUV3P – 3 Pan, Full Service or Full Self-Service
- HUV4P – 4 Pan, Full Service or Full Self-Service
- HUV5P – 5 Pan, Full Service or Full Self-Service
- HUV3P/2 – 3 Pan Full Service, 2 Pan Self-Service
- HUV7P – 7 Pan Full Service

Specifications, Details and Dimensions on Inside and Back.



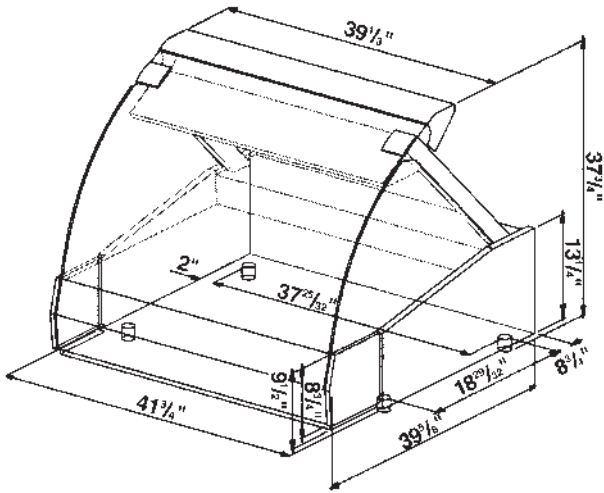
ANSI/NSF Standard #4

**ULTRAVIEW DELI CASES**

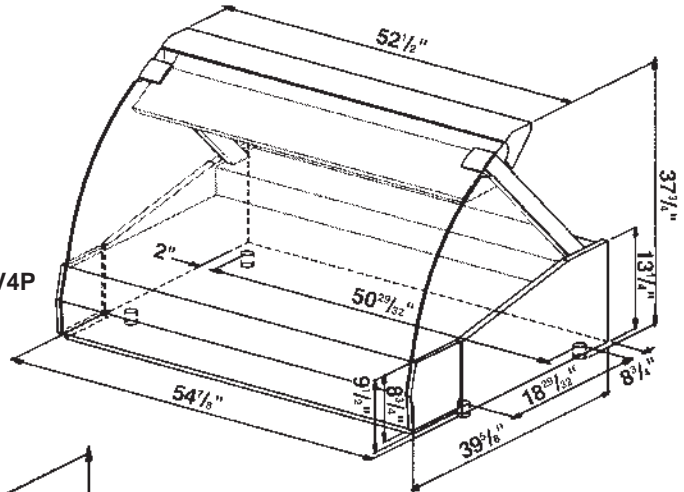
ULTRAVIEW DELI CASES



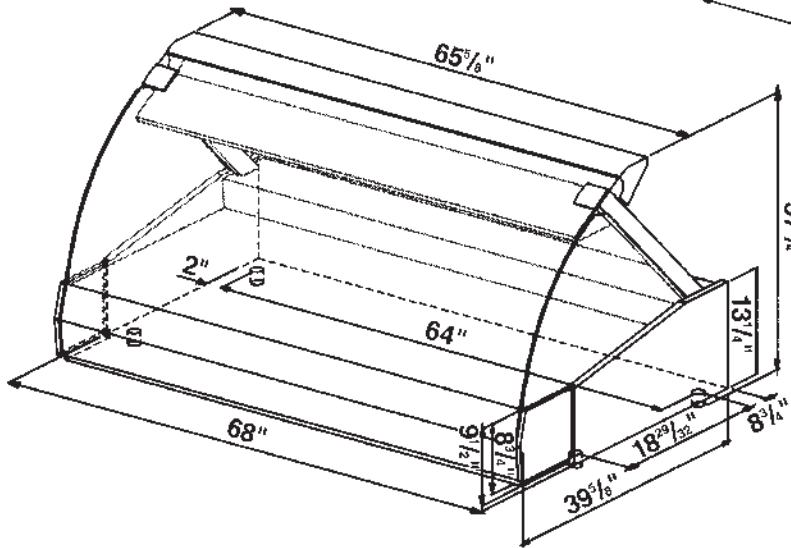
701 S Ridge Avenue, Troy, OH 45374
1-888-4HOBART • www.hobartcorp.com



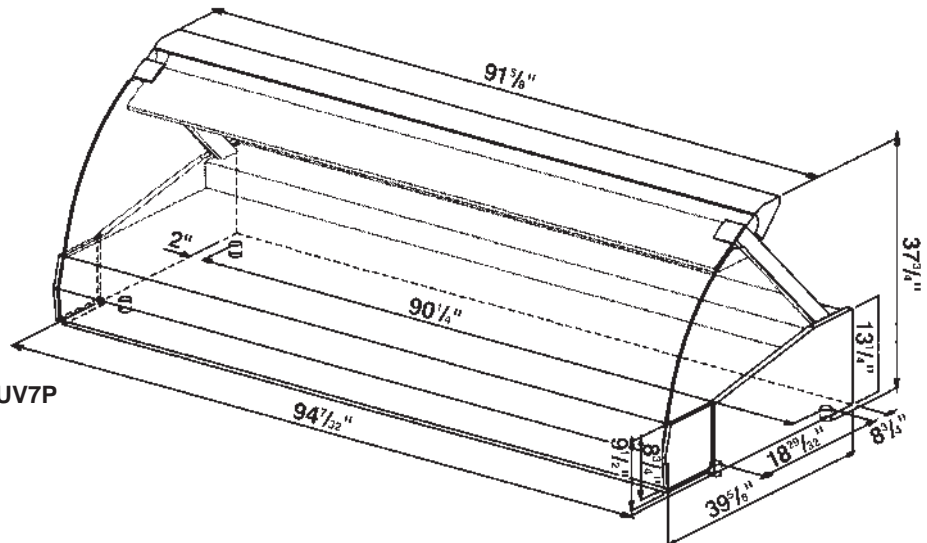
Model HUV3P



Model HUV4P



Model HUV5P

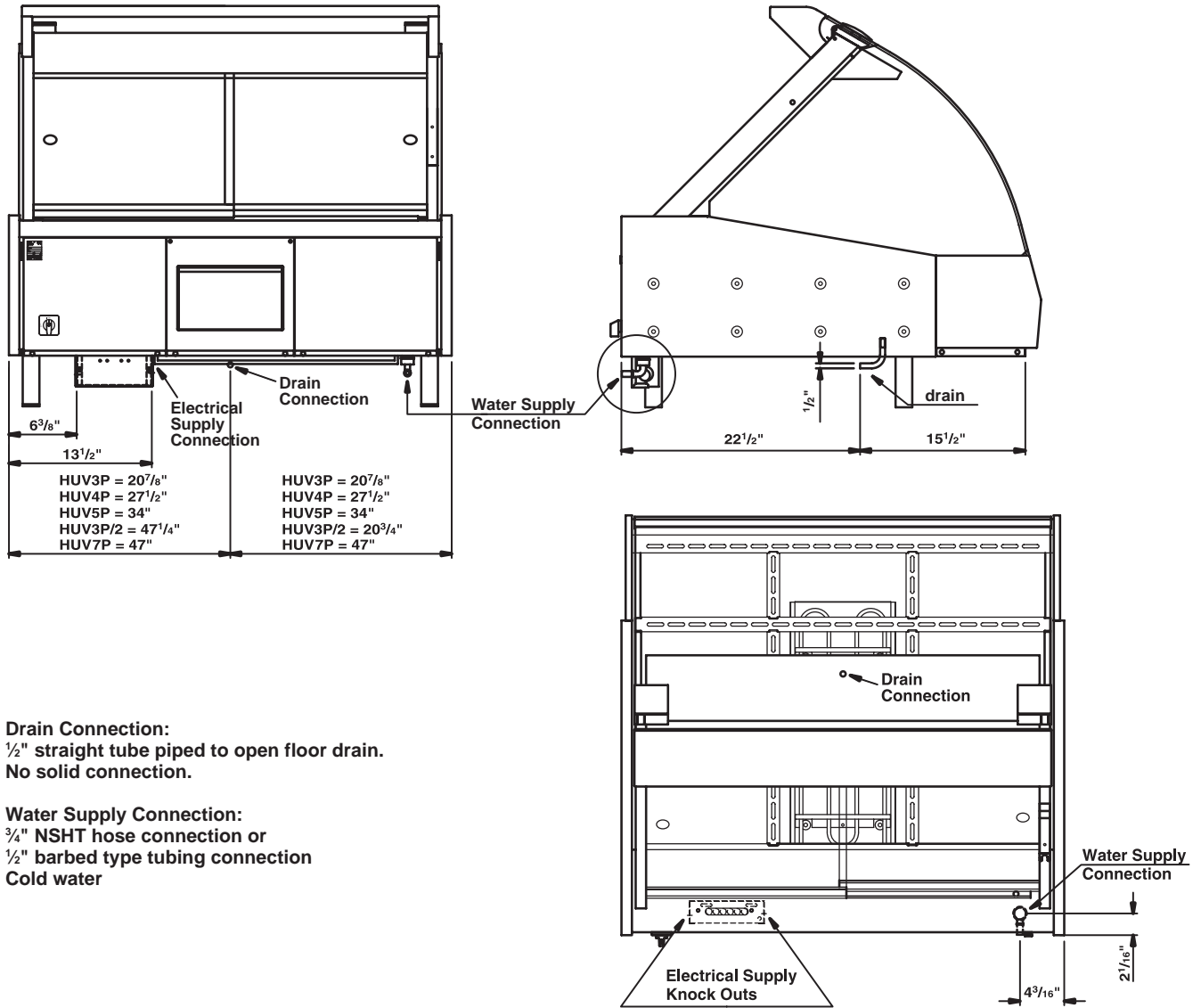


Model HUV7P



701 S Ridge Avenue, Troy, OH 45374
1-888-4HOBART • www.hobartcorp.com

ULTRAVIEW DELI CASES



AMPERAGE

VOLTS HZ / PHASE	HUV3P Full Service	HUV3P Self- Service	HUV4P Full Service	HUV4P Self- Service	HUV5P Full Service	HUV5P Self- Service	HUV3P/2 Full/ Self-Service	HUV7P Full Service
208 / 60 / 1	20.6	17.6	21.5	18.6	22.1	19.8	34.9	29.5
208 / 60 / 3	12.2	15.9	12.7	16.6	13.4	17.5	22.3	17.9
240 / 60 / 1	25.8	17.4	26.9	18.5	28.1	19.8	32.4	28.2
240 / 60 / 3	18.3	15.6	18.2	16.3	18.3	17.5	20.2	17.1

DIMENSIONS

	HUV3P	HUV4P	HUV5P	HUV3P/2	HUV7P
Width	41 ³ / ₄ "	54 ⁷ / ₈ "	68"	68"	94 ⁷ / ₃₂ "
Depth	39 ⁵ / ₈ "	39 ⁵ / ₈ "	39 ⁵ / ₈ "	39 ⁵ / ₈ "	39 ⁵ / ₈ "
Height	37 ³ / ₄ "	37 ³ / ₄ "	37 ³ / ₄ "	37 ³ / ₄ "	37 ³ / ₄ "
Height Including Stand	56 ⁵ / ₈ "	56 ⁵ / ₈ "	56 ⁵ / ₈ "	56 ⁵ / ₈ "	56 ⁵ / ₈ "

ULTRAVIEW DELI CASES



701 S Ridge Avenue, Troy, OH 45374
1-888-4HOBART • www.hobartcorp.com

SPECIFICATIONS

DESIGN: Front glass of full service cases is fitted with gas struts which allows easy access to interior of case for cleaning. Pans cannot only be displayed horizontally, but also at two different angles. Angled presentation creates optimum view of products displayed.

HUMIDITY CONTROL: Heating elements are located under the pans of the full service version. Vents direct the heat released over a large heated water tray. The heated air is humidified by the water vapor that is generated.

CONTROL PANEL: All cases are fitted with a touch control panel. By using these electronic controls, you can regulate the temperature in the display case.

WEIGHTS:

	Net Wt.	Approx. Ship. Wt.
HUV3P Self-Service	234 lbs.	295 lbs.
HUV3P Full Service	251 lbs.	313 lbs.
HUV4P Self-Service	284 lbs.	364 lbs.
HUV4P Full Service	300 lbs.	381 lbs.
HUV5P Self-Service	333 lbs.	432 lbs.
HUV5P Full Service	348 lbs.	450 lbs.
HUV3P/2	344 lbs.	446 lbs.
HUV7P Full Service	518 lbs.	705 lbs.



Model HUV3P
(shown with optional base and leg accessories)



Model HUV4P
(shown with optional base and leg accessories)



Model HUV5P
(shown with optional base and leg accessories)



Model HUV3P/2
(shown with optional base and leg accessories)



Model HUV7P
(shown with optional base and leg accessories)

As continued product improvement is a policy of Hobart, specifications are subject to change without notice.