



701 S Ridge Avenue, Troy, OH 45374  
1-888-4HOBART • www.hobartcorp.com

# THE COMBO – ROTISSERIE OVEN ON CONVECTION OVEN



THE COMBO – ROTISSERIE OVEN ON CONVECTION OVEN

## STANDARD FEATURES

- The COMBO – winning combination of rotisserie oven stacked on convection oven
- Space saver – 2 different ovens in one footprint
- Menu flexibility – roasting rotisserie chickens on top with meatloaf, roasts, macaroni and cheese or potatoes on bottom

## ACCESSORIES

- Stacking kit for HR7 on HEC

## MODELS

- |                               |    |                                 |
|-------------------------------|----|---------------------------------|
| <input type="checkbox"/> HR7  | on | <input type="checkbox"/> HEC5   |
| <input type="checkbox"/> HR7E |    | <input type="checkbox"/> HEC5D  |
|                               |    | <input type="checkbox"/> DEC5   |
|                               |    | <input type="checkbox"/> HEC5X  |
|                               |    | <input type="checkbox"/> HEC5DX |
|                               |    | <input type="checkbox"/> DEC5X  |

Specifications, Details and Dimensions on Inside and Back.



# THE COMBO – ROTISSERIE OVEN ON CONVECTION OVEN

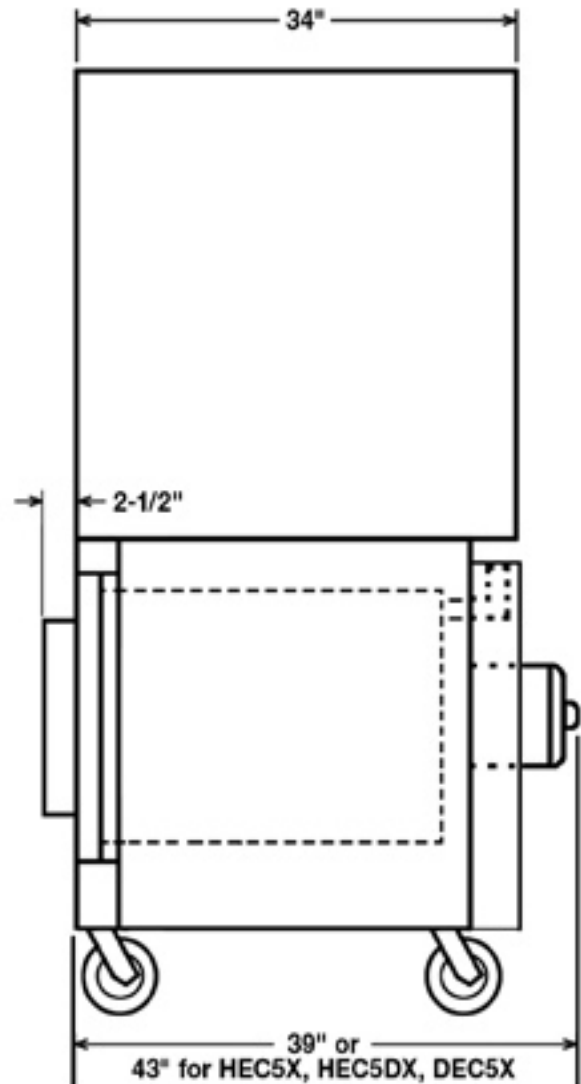
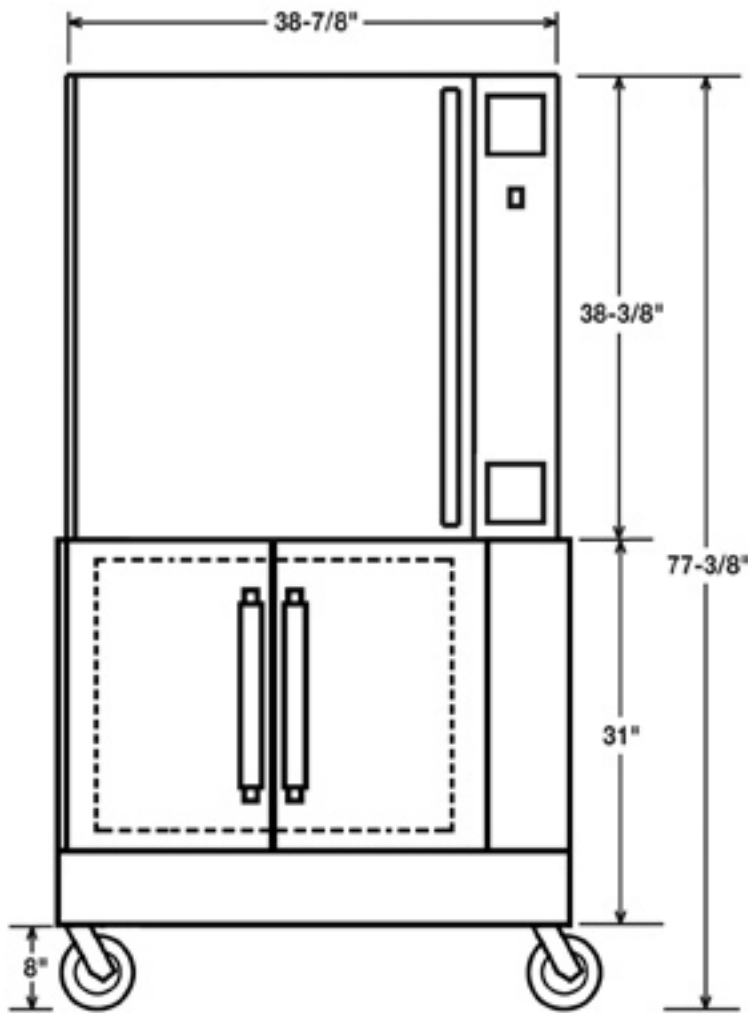


701 S Ridge Avenue, Troy, OH 45374  
1-888-4HOBART • www.hobartcorp.com

## DETAILS AND DIMENSIONS

Front View Stacked Combo

Side View Stacked Combo

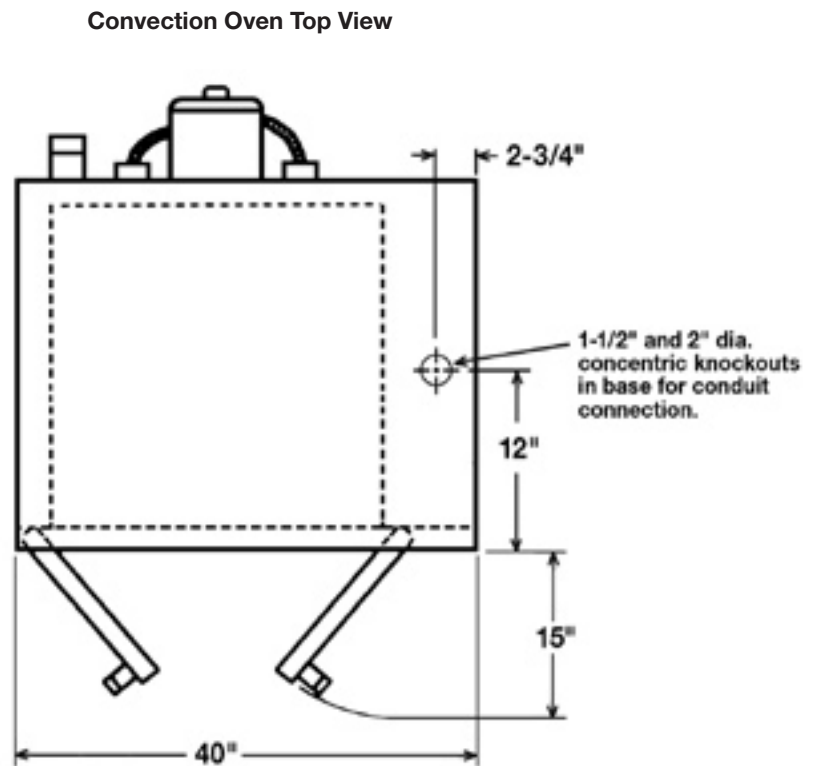
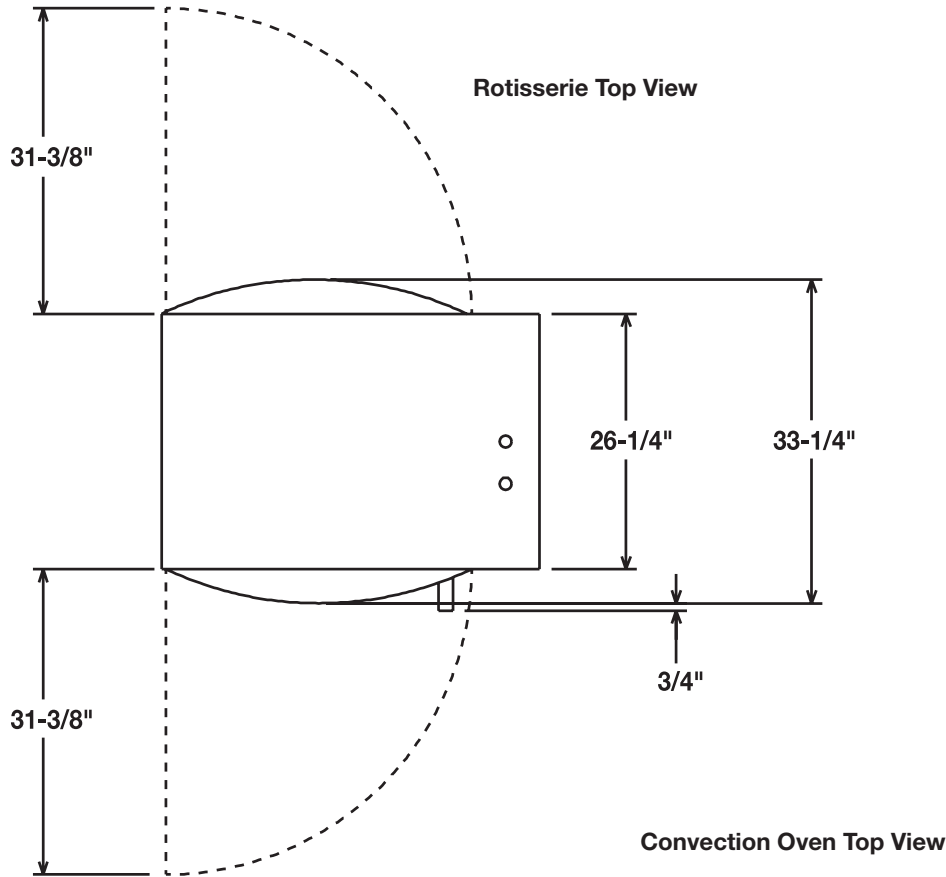




701 S Ridge Avenue, Troy, OH 45374  
1-888-4HOBART • www.hobartcorp.com

# THE COMBO – ROTISSERIE OVEN ON CONVECTION OVEN

## DETAILS AND DIMENSIONS



# THE COMBO – ROTISSERIE OVEN ON CONVECTION OVEN



701 S Ridge Avenue, Troy, OH 45374  
1-888-4HOBART • www.hobartcorp.com

MODEL NO.	WIDTH	DEPTH (INCLUDES HANDLES)	HEIGHT	KW PER OVEN	ELECTRICAL	APPROX. SHIPPING WT. LBS.
HR7 HR7E	38 <sup>7</sup> / <sub>8</sub> "	34"	38 <sup>3</sup> / <sub>8</sub> "	9.3	208/60/3/1 240/60/3/1	465
HEC5 HEC5D DEC5	40"	41 <sup>1</sup> / <sub>2</sub> "	31"	12.5	208/60/3/1 240/60/3/1	590
HEC5X HEC5DX DEC5X	40"	45 <sup>1</sup> / <sub>2</sub> "	31"	12.5	208/60/3/1 240/60/3/1	590
STACKED COMBO	40"	41 <sup>1</sup> / <sub>2</sub> " or 45 <sup>1</sup> / <sub>2</sub> "	77 <sup>3</sup> / <sub>8</sub> "	—	—	—

MODEL NO.	TOTAL CONN. KW	3 PHASE LOAD KW PER PHASE			NOMINAL AMPS PER LINE WIRE							
					3 PHASE						1 PHASE	
					208 VOLT			240 VOLT				
		X-Y	Y-Z	X-Z	X	Y	Z	X	Y	Z	208V	240V
HR7 HR7E	9.3	3.1	3.1	3.1	24.7	24.7	24.7	22.4	22.4	22.4	42.8	38.8
HEC5 HEC5D DEC5 HEC5X HEC5DX DEC5X	12.5	4	4	4.5	35	33	35	33	29	33	60	52

As continued product improvement is a policy of Hobart, specifications are subject to change without notice.