



701 S Ridge Avenue, Troy, OH 45374  
1-888-4HOBART • www.hobartcorp.com

## THE ADVANTAGE – ROTISSERIE OVEN ON CONVECTION OVEN

**HOBART**

**THE ADVANTAGE – ROTISSERIE OVEN ON CONVECTION OVEN**

### STANDARD FEATURES

- The Advantage – winning combination of self-cleaning rotisserie oven stacked on convection oven
- Space saver – 2 different ovens in one footprint
- Menu flexibility – roasting rotisserie chickens on top with meatloaf, roasts, macaroni and cheese or potatoes on bottom

### ACCESSORIES

- Stacking kit for KA7E on HEC

### MODELS

- |                               |    |                                 |
|-------------------------------|----|---------------------------------|
| <input type="checkbox"/> KA7E | on | <input type="checkbox"/> HEC5   |
|                               |    | <input type="checkbox"/> HEC5D  |
|                               |    | <input type="checkbox"/> DEC5   |
|                               |    | <input type="checkbox"/> HEC5X  |
|                               |    | <input type="checkbox"/> HEC5DX |
|                               |    | <input type="checkbox"/> DEC5X  |

Specifications, Details and Dimensions on Inside and Back.



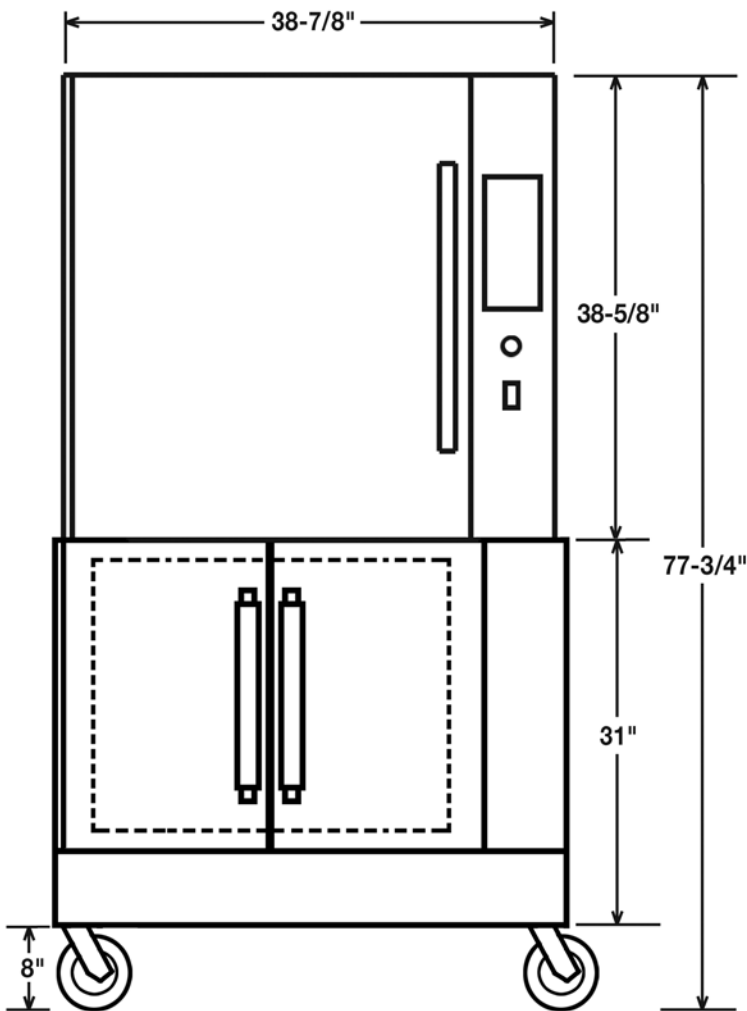
# THE ADVANTAGE – ROTISSERIE OVEN ON CONVECTION OVEN

**HOBART**

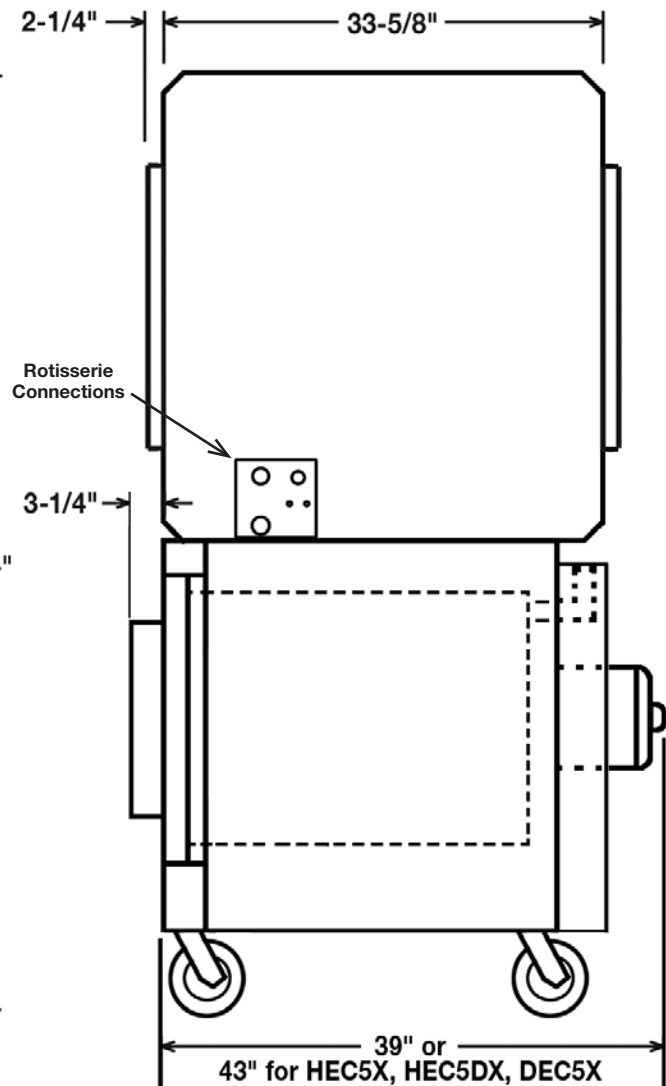
701 S Ridge Avenue, Troy, OH 45374  
1-888-4HOBART • www.hobartcorp.com

## DETAILS AND DIMENSIONS

Front View Stacked



Side View Stacked

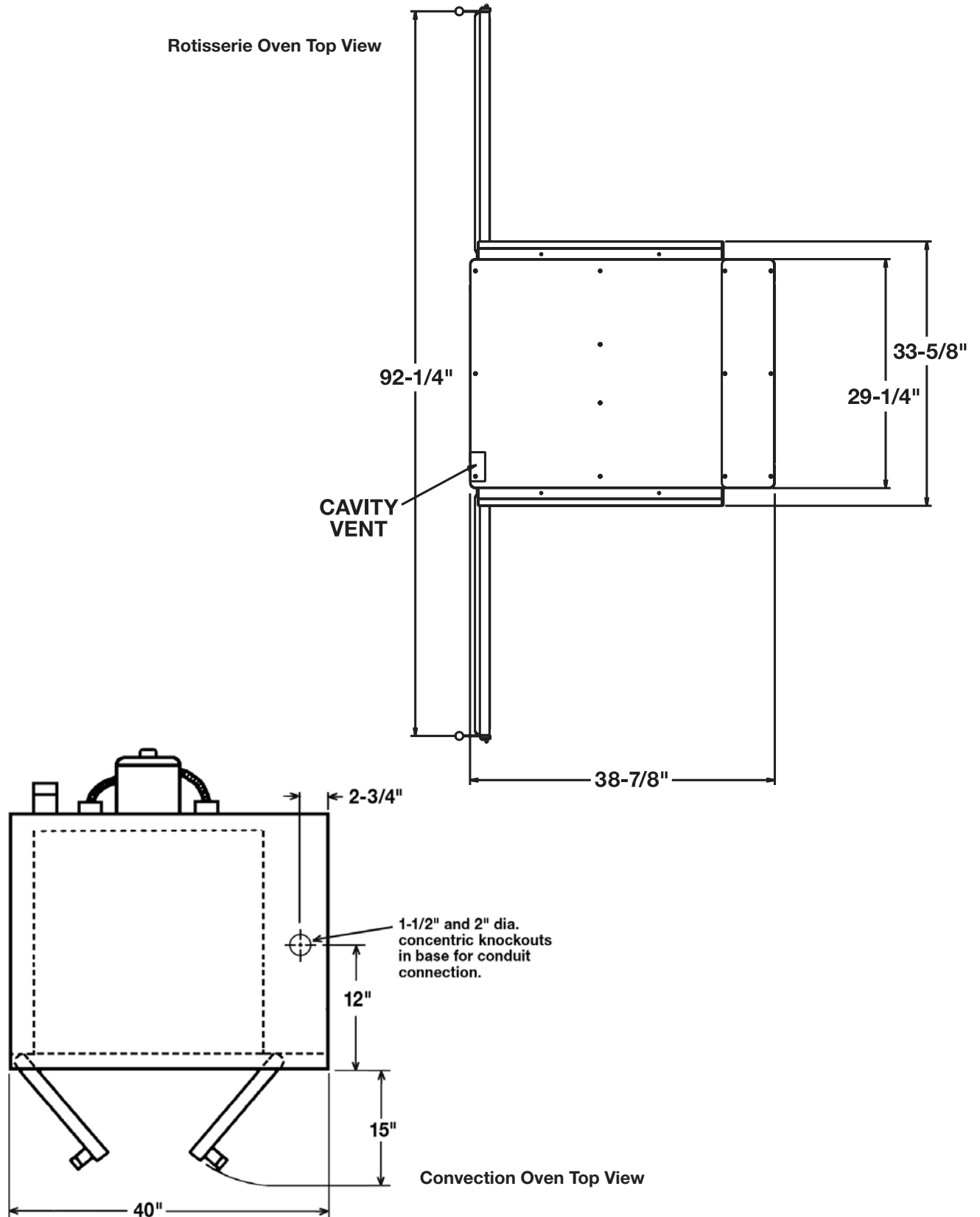




701 S Ridge Avenue, Troy, OH 45374  
1-888-4HOBART • www.hobartcorp.com

# THE ADVANTAGE – ROTISSERIE OVEN ON CONVECTION OVEN

## DETAILS AND DIMENSIONS



# THE ADVANTAGE – ROTISSERIE OVEN ON CONVECTION OVEN



701 S Ridge Avenue, Troy, OH 45374  
1-888-4HOBART • www.hobartcorp.com

MODEL NO.	WIDTH	DEPTH (INCLUDES HANDLES)	HEIGHT	KW PER OVEN	ELECTRICAL	APPROX. SHIPPING WT. LBS.
KA7E	38 <sup>7</sup> / <sub>8</sub> "	38 <sup>1</sup> / <sub>8</sub> "	38 <sup>5</sup> / <sub>8</sub> "	9.3	208/60/3/1 240/60/3/1	525
HEC5 HEC5D DEC5	40"	41 <sup>1</sup> / <sub>2</sub> "	31"	12.5	208/60/3/1 240/60/3/1	590
HEC5X HEC5DX DEC5X	40"	45 <sup>1</sup> / <sub>2</sub> "	31"	12.5	208/60/3/1 240/60/3/1	590
STACKED	40"	41 <sup>1</sup> / <sub>2</sub> " or 45 <sup>1</sup> / <sub>2</sub> "	77 <sup>5</sup> / <sub>8</sub> "	—	—	—

MODEL NO.	TOTAL CONN. KW	3 PHASE LOAD KW PER PHASE			NOMINAL AMPS PER LINE WIRE							
					3 PHASE						1 PHASE	
					208 VOLT			240 VOLT				
					X-Y	Y-Z	X-Z	X	Y	Z	X	Y
KA7E	9.3	3.1	3.1	3.1	24.7	24.7	24.7	21.8	21.8	21.8	42.8	38.8
HEC5 HEC5D DEC5 HEC5X HEC5DX DEC5X	12.5	4	4	4.5	35	33	35	33	29	33	60	52

## ROTISSERIE CONNECTION INFORMATION:

(Located on right side panel. Please see KA7E spec sheet for additional details):

**Water Drain:** 1" female NPT piped to open drain. No solid connections. Output 140°F max. at 5 GPM.

**Chemical Supply:** Hose barb to accept 1/4" ID chemically resistant tubing, supplied with machine. Use only Kay Chemical CIP cleaner, or approved cleaner, to ensure proper operation.

**Grease Drain:** Hose barb to accept 1/4" ID high temperature tubing, supplied with machine, 212°F rated.

**HOT Water Supply:** 3/4" male hose bib fitting. 0.5 GPM @ 25-50 psi. 120°F-140°F. Recommended hardness, 4-6 grains. Minimum conductivity required, 30 MICROMHOS/CM.

**CLEARANCES:** Allow 3" minimum right side clearance for plumbing connections for stacked configurations. (Note: Clearances up to 12" may be necessary when optional grease disposal vessel or chemicals are stored on the right side of stacked ovens.)

Refer to local codes for hood requirements.

As continued product improvement is a policy of Hobart, specifications are subject to change without notice.