

HOBART701 S Ridge Avenue, Troy, OH 45374
1-888-4HOBART • www.hobartcorp.com**HM1600
MICROWAVE OVEN****HOBART****STANDARD FEATURES**

- 1600 watt cooking power
- Stainless steel body and oven cavity
- Four power levels – high, medium, low and defrost
- Eight programmable memory pad for up to 16 programs
- Multiple portion touch pad
- Manual operation capability
- Door handle with no moving parts
- Cycle counter to track oven usage
- Electronic timer with digital display
- See-through door – lighted cavity
- Removable air filter
- Dual level magnetrons – 2 top, 2 bottom

MODEL

- HM1600 – Microwave Oven

Specifications, Details and Dimensions on Back.

**HM1600 MICROWAVE OVEN**

HM1600 MICROWAVE OVEN



701 S Ridge Avenue, Troy, OH 45374
1-888-4HOBART • www.hobartcorp.com

SPECIFICATIONS

GENERAL: Electric Microwave Oven. 1600 watt cooking power with four magnetrons. Top and bottom energy feeding system with rotating wave guides. 1.56 cubic foot capacity.

CONSTRUCTION: Interior and exterior is stainless steel. Door opens downward, with no latch buttons or catches. Door has see through window. Interior cavity is lighted. Air filter easily removable without moving oven.

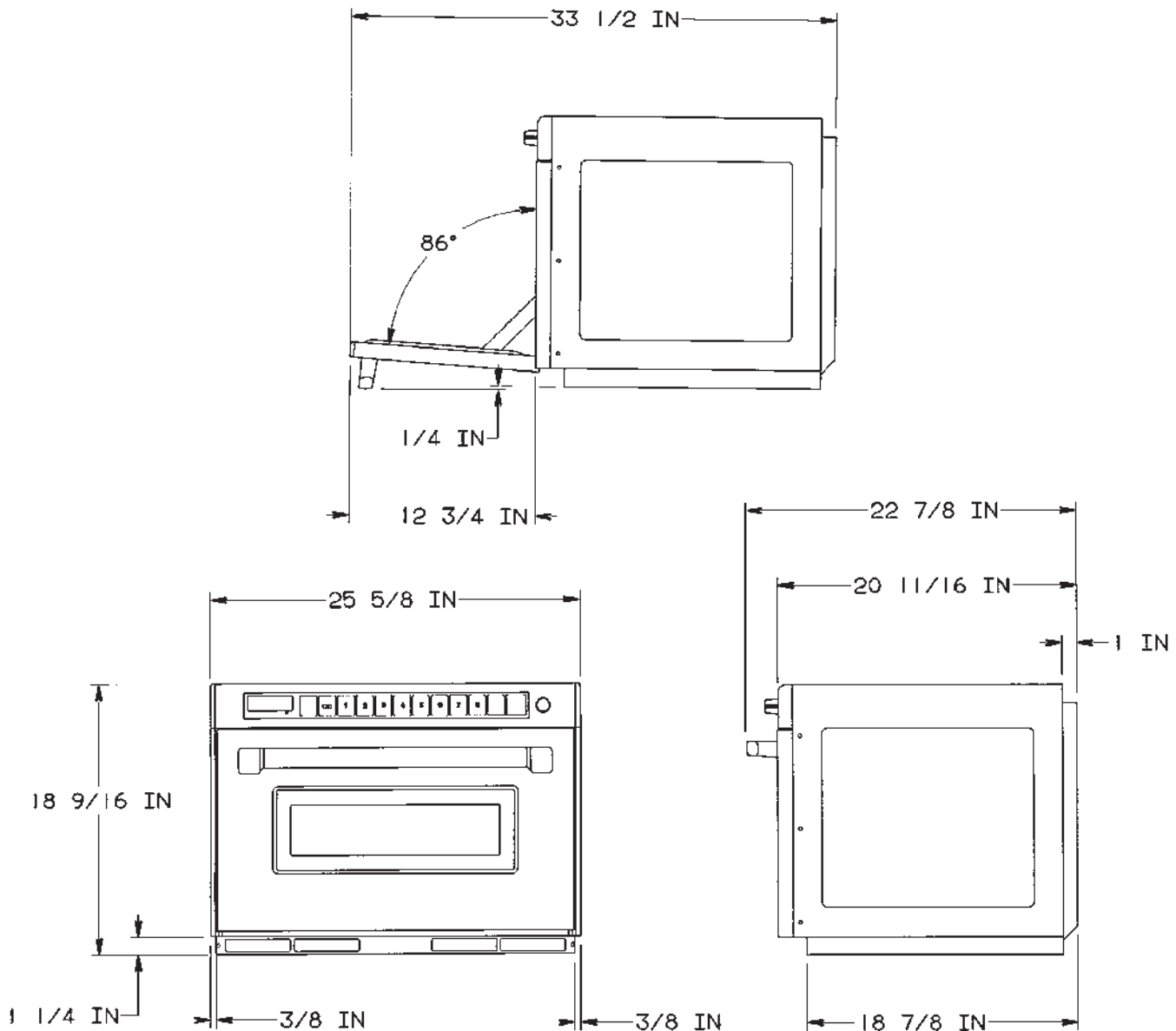
CONTROLS: Located across top of oven. Allows for both programmed, automatic and manual operation. 8 memory

pads allow for 16 different cooking programs. Dial timer (HI and MED - 15 minutes; LOW-DEF and STAND - 60 minutes) allows for manual operation. One, two or three stage cooking. Allows maximum cooking versatility. Cooking time is displayed on LED Digital Display.

ELECTRICAL: 208-240/60/1; 208V - 17.0 Amps; 240V - 15.4 Amps. Power cord is 59" long and exits the oven from the rear in the top right corner.

WEIGHT: Approximate Net: 117 lbs. Shipping: 128 lbs.

DETAILS AND DIMENSIONS



As continued product improvement is a policy of Hobart, specifications are subject to change without notice.