

HOBART701 S Ridge Avenue, Troy, OH 45374
1-888-4HOBART • www.hobartcorp.com**HM1200
MICROWAVE OVEN****HOBART****STANDARD FEATURES**

- 1200 watt cooking power.
- Stainless steel body and oven cavity.
- Two power levels – high and defrost.
- Six programmable memory pad selectors.
- Multiple portion touch pad.
- Manual operation capability.
- Door handle with no moving parts.
- Cycle counter to track oven usage.
- Cooking cycle time can be interrupted, and increased or decreased at any time when using manual dial timer.
- Electronic timer with digital display.
- See-through door, lighted cavity.
- Dual magnetrons with rotating wave guide.

MODEL

- HM1200 – Microwave Oven

Specifications, Details and Dimensions on Back.

**HM1200 MICROWAVE OVEN**

HM1200 MICROWAVE OVEN



701 S Ridge Avenue, Troy, OH 45374
1-888-4HOBART • www.hobartcorp.com

SPECIFICATIONS

GENERAL: Electric microwave oven. 1200 watt cooking power. Dual magnetron energy feeding system with rotating wave guides. 0.6 cubic foot capacity.

CONSTRUCTION: Interior and exterior are stainless steel. Door opens easily to the side, with no latch buttons. Door has see-through window. Interior cavity is lighted.

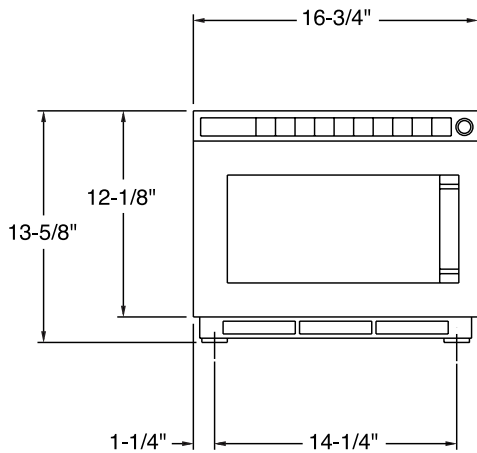
CONTROLS: Located on front top. Allows for both programmed and manual operation. Six memory pads

allow for six different cooking programs. Thirty minute dial timer allows for manual operation. Multiple portion touch pad modifies programs to compensate for simultaneous multiple portion cooking. Cooking time is displayed on LED Digital Display.

ELECTRICAL: 120/60/1. 18 amps. Cord and plug are furnished.

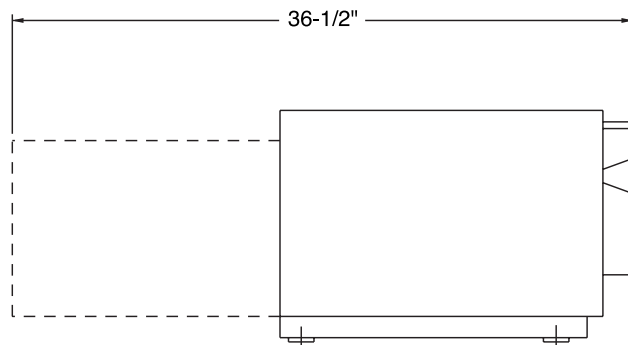
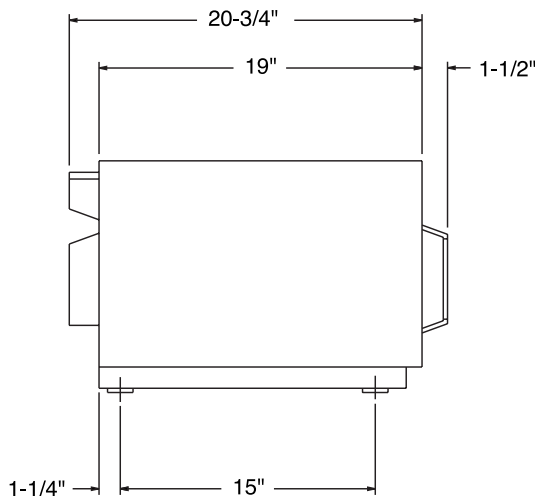
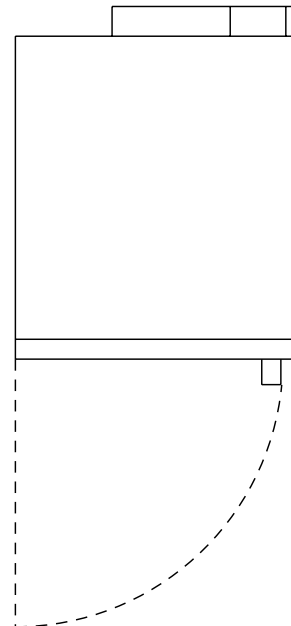
WEIGHT: Approximately Net: 70 lbs. Shipping: 75 lbs.

DETAILS AND DIMENSIONS



CAVITY INTERIOR:

WIDE: 13"
DEEP: 12"
HIGH: 6-1/2"



As continued product improvement is a policy of Hobart, specifications are subject to change without notice.