

**HOBART**

FOOD EQUIPMENT

**HCK/HDK SERIES  
FRYMATE WORK &  
SERVE STATION**

**HCKO FRYMATE** - matches standard HCK40 and HCK91 fryers.

**HDKO FRYMATE** - matches HDK40 and HDK91 fryers with solid state control package.

- **Single body cabinet storage station** — Serves and holds fried foods.
- **Stainless steel front** — Painted sides and aluminized back. Stainless sides and back optional.
- **Pan storage area** — With 4 section non tilt tray guides to support (4) #200 pans.
- **6" stainless steel adjustable legs** — Unit can be purchased less legs for mounting on masonry base.
- **Door** — Hinged left or right. Specify when ordering.

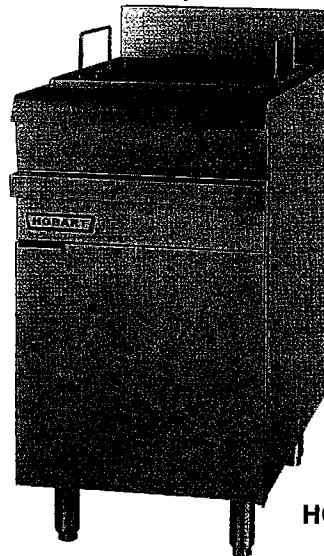
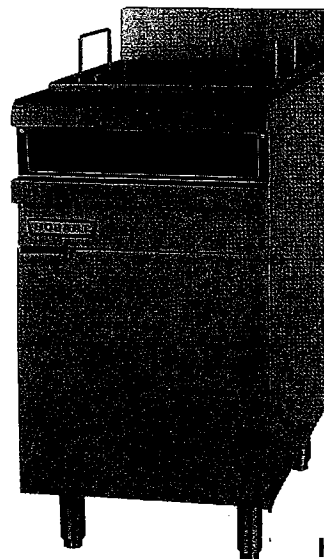
**SPECIFICATIONS:** The frymate provides a single body cabinet storage station for serving and holding fried foods. The frymate cabinet has a removable stainless steel 5" high back splash and comes standard with a stainless front, painted sides and aluminized back to match the HDK Series Fryers and HCR Series Ranges. The cabinet has a flush mounted stainless steel door. The storage area behind the door provides non tilt draw guides to support (4) #200 pans. (Pans are not supplied with frymate and must be purchased through other than Hobart Corporation). The frymate cabinet is available on 6" stainless steel adjustable legs or may be ordered without legs for masonry base (supplied by others) casters. The top drain section has a sturdy lift out screen and center drain into a 3 quart slide out drain pan. The frymate is equipped with matching basket hangers.

**GENERAL:** Model HCKO matches standard HCK40/91 Fryers and features a standard stainless steel control panel.

**Model HDKO** matches standard HDK40/91 Fryers and features a standard stainless steel control panel covered with a protective black polyester overlay message panel that coordinates with solid state control fryer panels.

**OPTIONS AND ACCESSORIES  
AT EXTRA COST**

- Stainless steel left or right sides or back or any combination.
- Casters.
- 4" toe base.
- Painted or stainless steel high shelves.

**HCK****HDK**

# HCK/HDK SERIES FRYMATE WORK & SERVE STATION



**SPECIFICATIONS** Listed by Underwriters Laboratories Inc and by National Sanitation Foundation

**FINISH:** Painted sides with stainless steel front.

**Net. Wt. Ship Wt.**

**WEIGHT:** 160 lbs. 180 lbs.

**DIMENSIONS:** 20" Wide x 38 $\frac{1}{4}$ " Deep, 37" H on Legs.

As continued product improvement is a policy of Hobart, specifications are subject to change without notice.

**STORAGE CAPACITY:** Four #200 Pans

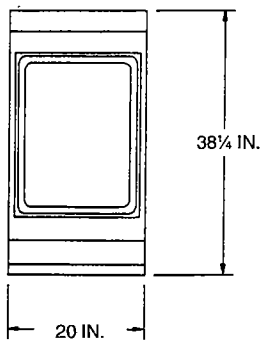
## ELECTRICAL DATA

**STANDARD VOLTAGES – 208 VOLTS OR 240 VOLTS – SINGLE PHASE OR THREE PHASE  
OPTIONAL VOLTAGE – 480 VOLTS – SINGLE PHASE OR THREE PHASE**

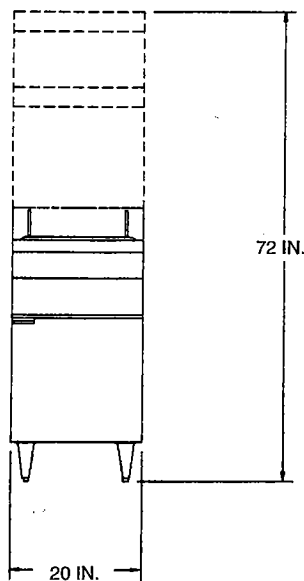
TOTAL K.W. CONN.	3 PHASE LOADING KW PER PHASE		NOMINAL AMPS PER LINE WIRE												
			3 PHASE						1 PHASE						
	208, 240, & 480 VOLT			208 VOLT			240 VOLT			280 VOLT			208	240	480
	X-Y	Y-Z	X-Z	X	Y	Z	X	Y	Z	X	Y	Z	VOLT	VOLT	VOLT
12	3.9	3.9	4.2	34	33	34	29	28	29	15	14	15	58	50	25

Note: Refer to specification sheet No. F-8205 for high shelf width.

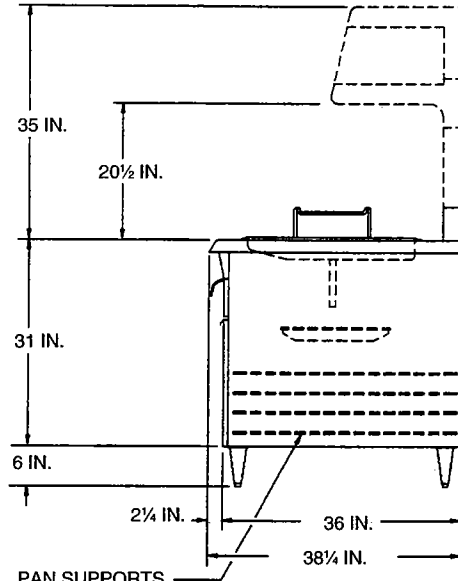
## DETAILS AND DIMENSIONS



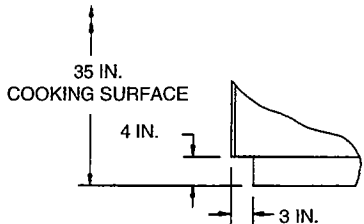
TOP VIEW



MODEL HCKO  
MODEL HDKO



SIDE VIEW



UNIT ON TOE BASE  
(OPTIONAL)



EXECUTIVE OFFICES  
701 RIDGE AVENUE  
TROY, OHIO 45374-0001