



Project _____
 Item # _____
 Quantity _____

Split Drawer Warmers

Models: HDW-1R2, -2R2

Expand holding capacities with Hatco's Split Drawer Warmer. Ideal for casseroles, pot pies, rolls, nacho chips, potatoes, vegetables, poultry, meat, and desserts. Each drawer features adjustable sliding vents and individual thermostatic controls to hold a wide variety of hot foods safely for peak serving periods.

Standard features

- Each drawer has a recessed individual thermostatic control, temperature monitor, and On/Off switch
- Heavy-duty drawer slides with nylon rollers
- Adjustable sliding vents on each drawer
- Standard 20.75" x 12.75" x 2.5" (527 x 324 x 64 mm) pan supplied with each drawer that lifts straight out
- Completely insulated individual cavities provide maximum energy efficiency
- Each drawer of the HDW-1R2 or HDW-2R2 will accommodate one ½ sheet pan
- Units come with 6' (1829 mm) cord, plug, and 4" (102 mm) legs
- Blanket elements have a one-year warranty against burnout and breakage and drawer rollers and slides have a two-year warranty



Options (available at time of purchase only)

- Designer Drawer Front Colors
- | | | | |
|------------------------------------|---------------------------------------|---|--|
| <input type="checkbox"/> Warm Red | <input type="checkbox"/> Black | <input type="checkbox"/> Gray Granite | <input type="checkbox"/> White Granite |
| <input type="checkbox"/> Navy Blue | <input type="checkbox"/> Hunter Green | <input type="checkbox"/> Antique Copper | |

Accessories

- Stainless Steel Food Pans



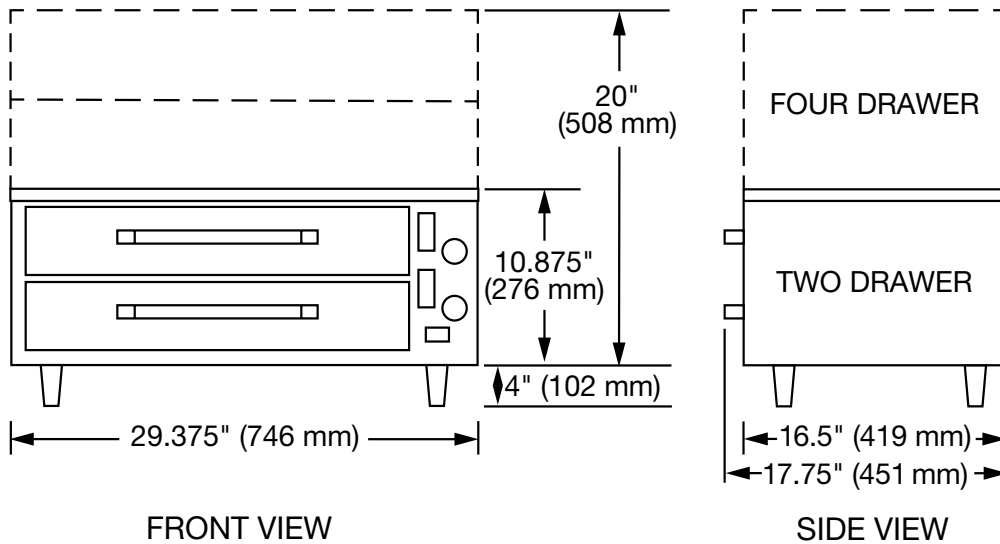
HATCO CORPORATION | P.O. Box 340500 Milwaukee, WI 53234-0500 U.S.A. | (800) 558-0607 | (414) 671-6350
 Fax: (800) 543-7521 | Int'l. Fax: (414) 671-3976 | www.hatcocorp.com | email: equipsales@hatcocorp.com



Split Drawer Warmers

Models: HDW-1R2, -2R2

Split Drawer Warmer



SPECIFICATIONS Split Drawer Warmer

Model	Dimensions (Width x Depth x Height [†])	Volts	Phase	Watts	Amps	Plug	Ship Weight*
HDW-1R2	29.375" x 16.5" x 14.875" (746 x 419 x 378 mm)	120	Single	690	5.8	NEMA 5-15P	90 lbs. (41 kg)
HDW-2R2	29.375" x 16.5" x 24" (746 x 419 x 610 mm)	120	Single	1290	10.8	NEMA 5-15P	135 lbs. (61 kg)

[†] Height includes 4" (102 mm) legs (castors not available).

*Shipping weight includes packaging.

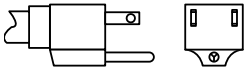
Note: If 4" (102 mm) legs are not used, the unit must be sealed to the counter.

CORD LOCATION

Back of unit, lower left corner.

PLUG CONFIGURATIONS

NEMA 5-15P



PRODUCT SPECS Drawer Warmer

The Drawer Warmers shall be a Hatco Model ... , as manufactured by the Hatco Corporation, Milwaukee, WI 53234, U.S.A.

The unit shall have ... drawer(s) and be rated at ... watts, ... amps. Freestanding model shall be equipped with a cord and plug.

The Drawer Warmer shall have a stainless steel exterior, interior, drawer slides, and

assembly. Drawer rollers shall be durable nylon. The drawer assembly shall fully extend to allow removal of pans without tilting.

The unit shall be individually insulated top, bottom and sides of cabinet with individual power switch, thermostat and temperature monitor for each drawer.

Comes with 24/7 parts and service assistance (U.S. and Canada only).

HATCO CORPORATION | P.O. Box 340500 Milwaukee, WI 53234-0500 U.S.A. | (800) 558-0607 | (414) 671-6350

Fax: (800) 543-7521 | Int'l. Fax: (414) 671-3976 | www.hatcocorp.com | email: equipsales@hatcocorp.com