



Project \_\_\_\_\_

Item # \_\_\_\_\_

Quantity \_\_\_\_\_

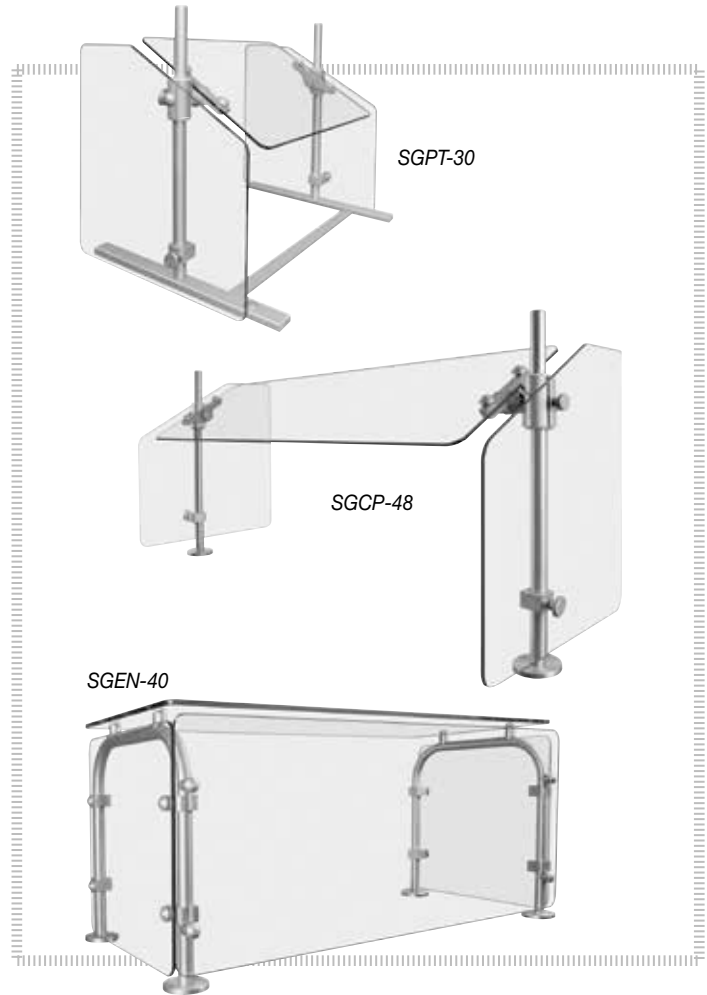
## Sneeze Guards

Models: SGPT-24, -30, -36, -42, -48, -54, -60  
SGCP-24, -30, -36, -42, -48, -54, -60  
SGEN-22, -28, -34, -40, -46, -52, -58

Enhance and protect food products simultaneously with Hatco Sneeze Guards. These stylish, yet functional Sneeze Guards are ideal for buffet lines, serving stations and temporary service areas while providing all the requirement needed to meet the stringent NSF guidelines to safeguard your foods.

### Standard features

- Available as Portable, Counter Post or Enclosed
- Stylish brushed aluminum posts with clear finish are easy to clean
- Radius cornered, tempered safety glass with penciled edges provides clean look
- Glass thickness:
  - SGPT and SGPT, 3/8" (6 mm)
  - SGEN, side 1/4" (6 mm), top 3/8" (10 mm)
- Ability to change glass angle (360° adjustment) to fit with your foodservice equipment (SGCP, SGPT models only)
- NSF approved



HATCO CORPORATION | P.O. Box 340500 Milwaukee, WI 53234-0500 U.S.A. | (800) 558-0607 | (414) 671-6350

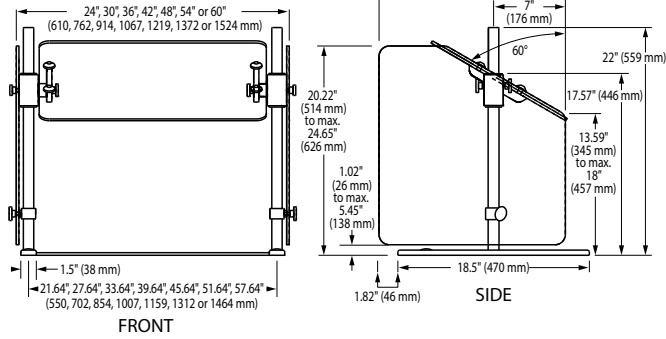
Fax: (800) 543-7521 | Int'l. Fax: (414) 671-3976 | www.hatcocorp.com | equipmentsales@hatcocorp.com | intlSales@hatcocorp.com



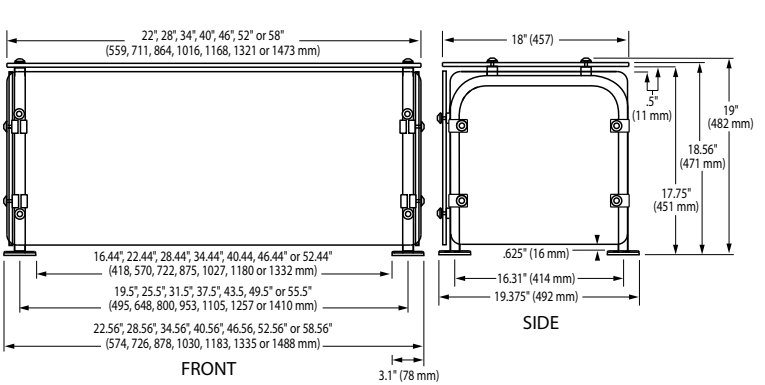
# Sneeze Guards

Models: SGPT-24, -30, -36, -42, -48, -54, -60 SGCP-24, -30, -36, -42, -48, -54, -60  
SGEN-22, -28, -34, -40, -46, -52, -58

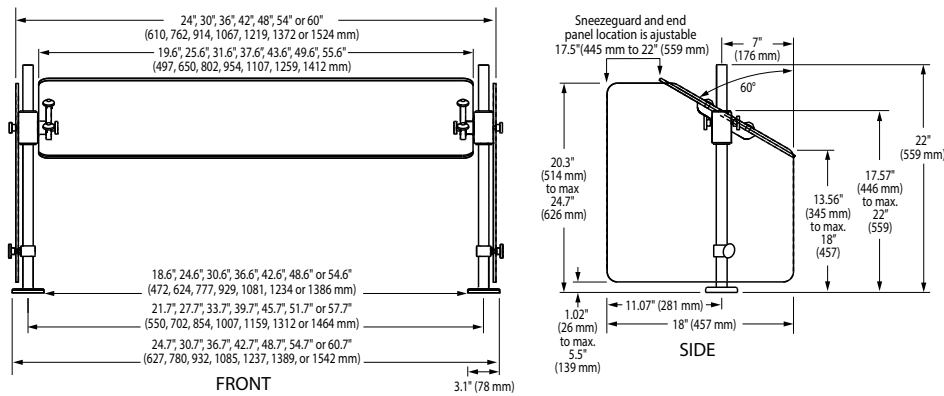
## SGPT



## SGEN



## SGCP



## SPECIFICATIONS Portable Sneeze Guards

Model	Dimensions (Width x Depth x Height)	Ship Weight
SGPT-24	24" x 20.31" x 22" (610 x 516 x 559 mm)	152 lbs. (69 kg)
SGPT-30	30" x 20.31" x 22" (762 x 516 x 559 mm)	183 lbs. (84 kg)
SGPT-36	36" x 20.31" x 22" (914 x 516 x 559 mm)	213 lbs. (97 kg)
SGPT-42	42" x 20.31" x 22" (1067 x 516 x 559 mm)	244 lbs. (111 kg)
SGPT-48	48" x 20.31" x 22" (1219 x 516 x 559 mm)	264 lbs. (120 kg)
SGPT-54	54" x 20.31" x 22" (1372 x 516 x 559 mm)	305 lbs. (139 kg)
SGPT-60	60" x 20.31" x 22" (1524 x 516 x 559 mm)	335 lbs. (152 kg)

## Counter Post Sneeze Guards

Model	Dimensions (Width x Depth x Height)	Ship Weight
SGCP-24	24.7" x 18" x 22" (627 x 457 x 559 mm)	152 lbs. (69 kg)
SGCP-30	30.7" x 18" x 22" (780 x 457 x 559 mm)	183 lbs. (83 kg)
SGCP-36	36.7" x 18" x 22" (932 x 457 x 559 mm)	213 lbs. (97 kg)
SGCP-42	42.7" x 18" x 22" (1085 x 457 x 559 mm)	244 lbs. (111 kg)
SGCP-48	48.7" x 18" x 22" (1237 x 457 x 559 mm)	264 lbs. (120 kg)
SGCP-54	54.7" x 18" x 22" (1389 x 457 x 559 mm)	305 lbs. (139 kg)
SGCP-60	60.7" x 18" x 22" (1542 x 457 x 559 mm)	335 lbs. (152 kg)

## Enclosed Sneeze Guards

Model	Dimensions (Width x Depth x Height)	Ship Weight
SGEN-22	22.56" x 19.375" x 19" (574 x 492 x 482 mm)	142 lbs. (65 kg)
SGEN-28	28.56" x 19.375" x 19" (726 x 492 x 482 mm)	173 lbs. (79 kg)
SGEN-34	34.56" x 19.375" x 19" (878 x 492 x 482 mm)	203 lbs. (93 kg)
SGEN-40	40.56" x 19.375" x 19" (1030 x 492 x 482 mm)	234 lbs. (107 kg)
SGEN-46	46.56" x 19.375" x 19" (1183 x 492 x 482 mm)	264 lbs. (120 kg)
SGEN-52	52.56" x 19.375" x 19" (1335 x 492 x 482 mm)	295 lbs. (134 kg)
SGEN-58	58.56" x 19.375" x 19" (1488 x 492 x 482 mm)	325 lbs. (148 kg)

## PRODUCT SPECS Sneeze Guards

The Sneeze Guard shall be model ... and be ... inches (millimeters) in overall width. Warranty consists of 24/7 parts and service assistance (U.S. and Canada only).

HATCO CORPORATION | P.O. Box 340500 Milwaukee, WI 53234-0500 U.S.A. | (800) 558-0607 | (414) 671-6350

Fax: (800) 543-7521 | Int'l. Fax: (414) 671-3976 | www.hatcocorp.com | equipmentsales@hatcocorp.com | intl@hatcocorp.com