



# REMOTE FROST TOP DROP-IN

Models FTBR-1, -2, -3, FTBR-S2, -S3, FTBX-1, -2, -3, FTBX-S2, -S3

Hatco Remote Drop-in Frost Top keeps prechilled beverages, snacks, hors d'oeuvres and side dishes cool and ready to serve, but in remote configurations that offer flexibility for your particular kitchen design needs.

## FLEXIBILITY

The Hatco Remote Frost Top holds full-size sheet pans and other flat-bottom serving containers, helping to keep food products cool and fresh. Available in one-, two- and three-pan models as well as two- and three-pan slim configurations to best fit any buffet line.

Where space is needed to be more effectively and attractively used, or multiple Frost Top configurations are desired, these models offer more flexibility in your foodservice areas. Model choices include with or without a condensing unit.

## QUALITY

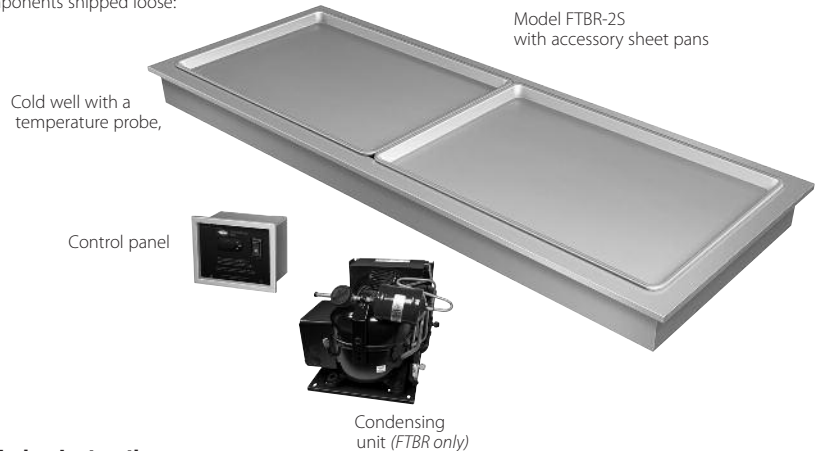
The following features assure the finest performance for years to come:

- Accommodates full-size and half-size sheet pans.
- FTBR is built with one of the most efficient condensing units on the market today.
- Optimal insulation on sides and bottom to ensure better cold retention. Environmentally-friendly insulation used throughout.
- Matches the Hatco line of Heated Wells for a fully integrated look.
- FTBR models include a condensing unit (shipped loose, can be field mounted up to 50 feet of tubing from unit) and a control panel (shipped loose - probe wires are 16 feet) for installing in more convenient or desirable locations.
- FTBX models include a control panel (shipped loose - probe wires are 16 feet) but shipped without a condensing unit for the increased flexibility of multiple Frost Top configurations.
- Units include a 1" (25 mm) NPT drain (excluding FTBR-1, FTBX-1).
- Lighted On/Off rocker switch.



Model FTBR-3 with accessory full size sheet pans (shown with HWBI-4MA with accessory food (hotel) pans, DL-725-CL in plated finish)

Remote models consist of these components shipped loose:



## Ordering Instructions

Please specify the following with each order:

- 1. Number of Full-Size Sheet Pans Accommodated:**  
1-, 2-, or 3-pan as rectangular sheet pans
- 2. Depth of Model:** Standard configuration, 28.94"D (735 mm) or Slim Series, 21.06"D (535 mm)
- 3. Remote Refrigeration (Shipped loose: Frost Top, control panel and TXV valve)**  
A. FTBR with a condensing unit that is shipped loose  
B. FTBX without a condensing unit (solenoid valve attached to Frost Top)

## Countertop Cutout Dimensions

Model	Minimum Width	Maximum Width	Minimum Depth	Maximum Depth	Below Counter ▲
FTBR-, FTBX-1	27.44" (697 mm)	28" (711 mm)	19.44"(494 mm)	20.125"(511 mm)	3.06" (77mm)
FTBR-, FTBX-2	37.375" (949 mm)	38" (965 mm)	27.31"(694 mm)	28" (711 mm)	3.06"(77 mm)
FTBR-, FTBX-3	55.375"(1407 mm)	56" (1422 mm)	27.31"(694 mm)	28" (711 mm)	3.06" (77mm)
FTBR-, FTBX-S2	53.31" (1354 mm)	54" (1372 mm)	19.44"(494 mm)	20.125"(511 mm)	3.06"(77 mm)
FTBR-, FTBX-S3	79.19" (2011 mm)	79.875"(2029 mm)	19.44"(494 mm)	20.125"(511 mm)	3.06"(77 mm)

▲ For FTBR models the Below Counter height does not include the Condensing Unit. For FTBX models only, add 5.05" (128 mm) to the height for the attached solenoid valve



ONE YEAR ON-SITE PARTS AND LABOR WARRANTY.  
AN ADDITIONAL FOUR-YEAR PARTS ONLY WARRANTY  
ON THE COMPRESSOR AVAILABLE AT TIME  
OF UNIT PURCHASE (FTBR only).



HATCO CORPORATION P.O. Box 340500 Milwaukee, WI 53234-0500 U.S.A.  
(800) 558-0607 • (414) 671-6350 • Fax (800) 543-7521 • Int'l. Fax (414) 671-3976  
www.hatcocorp.com • E-mail: equipsales@hatcocorp.com

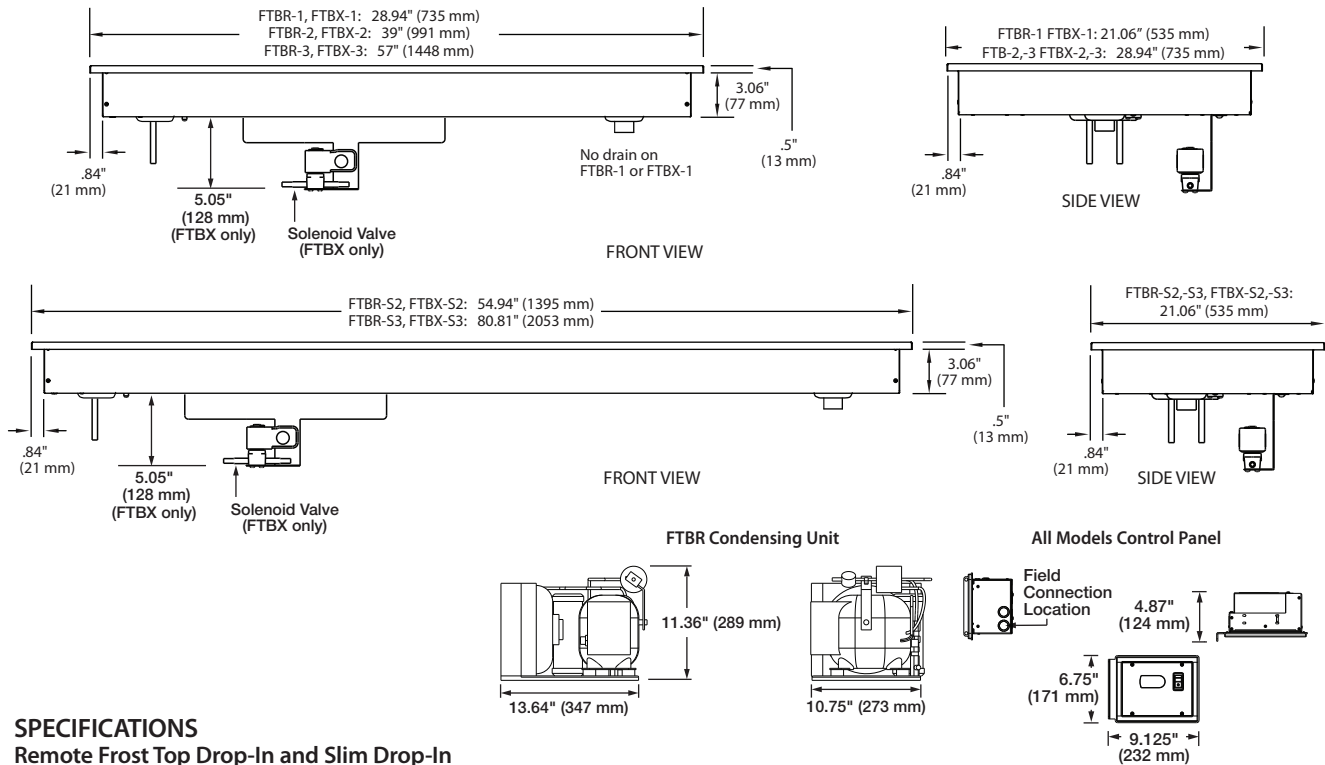
Form No. FTBR, FTBX Spec Sheet

Printed in U.S.A.  
October 2013



# REMOTE FROST TOP DROP-IN

Models FTBR-1, -2, -3, FTBR-S2, -S3, FTBX-1, -2, -3, FTBX-S2, -S3



## SPECIFICATIONS

### Remote Frost Top Drop-In and Slim Drop-In

#### With Condensing Unit

Model*	HP	Volts	Watts	Amps	Shipping Weight†
FTBR-1	1/4	120	804	6.7	132 lbs. (60 kg)
FTBR-2	1/4	120	804	6.7	180 lbs. (82 kg)
FTBR-3	1/4	120	804	6.7	213 lbs. (97 kg)
FTBR-S2	1/4	120	804	6.7	182 lbs. (83 kg)
FTBR-S3	1/4	120	804	6.7	239 lbs. (108 kg)

#### Without Condensing Unit (with solenoid valve)

Model*	LOAD (BTU/H)	Shipping Weight†
FTBX-1	330	74 lbs. (34 kg)
FTBX-2	630	122 lbs. (55 kg)
FTBX-3	930	155 lbs. (70 kg)
FTBX-S2	630	124 lbs. (56 kg)
FTBX-S3	930	156 lbs. (71 kg)

\* Model number indicates number of full-size food pans unit will accommodate.

All units: Utilize R-404A refrigerant.

† Shipping weights are approximate.

Field Installation by others: all piping (including TXV valve), power input to control panel, wiring from control panels to condensing unit, connect temperature probe wires from cold well to control panel. FTBX condensing unit and R-404A refrigerant provided by others.

## DIMENSIONS

FTBR, FTBX-1: 28.94"W x 21.06"D x 3.56"H▲ (735 x 535 x 90 mm).

FTBR, FTBX-2: 39"W x 28.94"D x 3.56"H▲ (991 x 735 x 90 mm).

FTBR, FTBX-3: 57"W x 28.94"D x 3.56"H▲ (1448 x 735 x 90 mm).

FTBR, FTBX-S2: 54.94"W x 21.06"D x 3.56"H▲ (1395 x 535 x 90 mm).

FTBR, FTBX-S3: 80.81"W x 21.06"D x 3.56"H▲ (2053 x 535 x 90 mm).

▲ For FTBX models only, add 5.05" (128 mm) to the height for the attached solenoid valve.

#### Condensing Unit:

FTBR-1, -2, -3, -S2, -S3:

13.64"W x 10.75"D x 11.36"H (347 x 273 x 289 mm). May be field mounted up to 50' from unit.

#### Electronic Control:

FTBR-1, -2, -3, -S2, -S3:

9.13"W x 4.87"D x 6.75"H (232 x 124 x 171 mm). May be field mounted up to 16' from unit without further field installation.

#### VOLTAGE

120V, single phase

## OPTIONS (NOT FOR RETROFIT)

- Additional Four-Year Parts Only Warranty on the Compressor Available at Time of Unit Purchase (FTBR only)

## ACCESSORIES

- Full-size sheet pan  
 Half-size sheet pan

## PRODUCT SPECS

### Drop-in Frost Top

The Drop-In Frost Top shall be a Model ... as manufactured by the Hatco Corporation, Milwaukee, WI 53234 U.S.A.

With 24/7 parts and service assistance (U.S. and Canada only), the Frost Top shall be rated at ... watts, ... volts and be ... inches (millimeters) in

overall width. It shall utilize R-404A refrigerant and consist of aluminized steel housing, electronic temperature control, and with or without a condensing unit (compressor, sight glass, service valves, receiver, and dryer).

Accessories may include sheet pans.

HATCO CORPORATION P.O. Box 340500 Milwaukee, WI 53234-0500 U.S.A. • (800) 558-0607 • (414) 671-6350  
 Fax (800) 543-7521 • Int'l. Fax (414) 671-3976 • www.hatcocorp.com • E-mail: equipsales@hatcocorp.com