



Project \_\_\_\_\_

Item # \_\_\_\_\_

Quantity \_\_\_\_\_

## Hot/Cold Built-In Shelves

Models: HCSBF-24-F, -24-I, -24-S, -36-F, -36-I, -36-S,  
-48-F, -48-I, -48-S

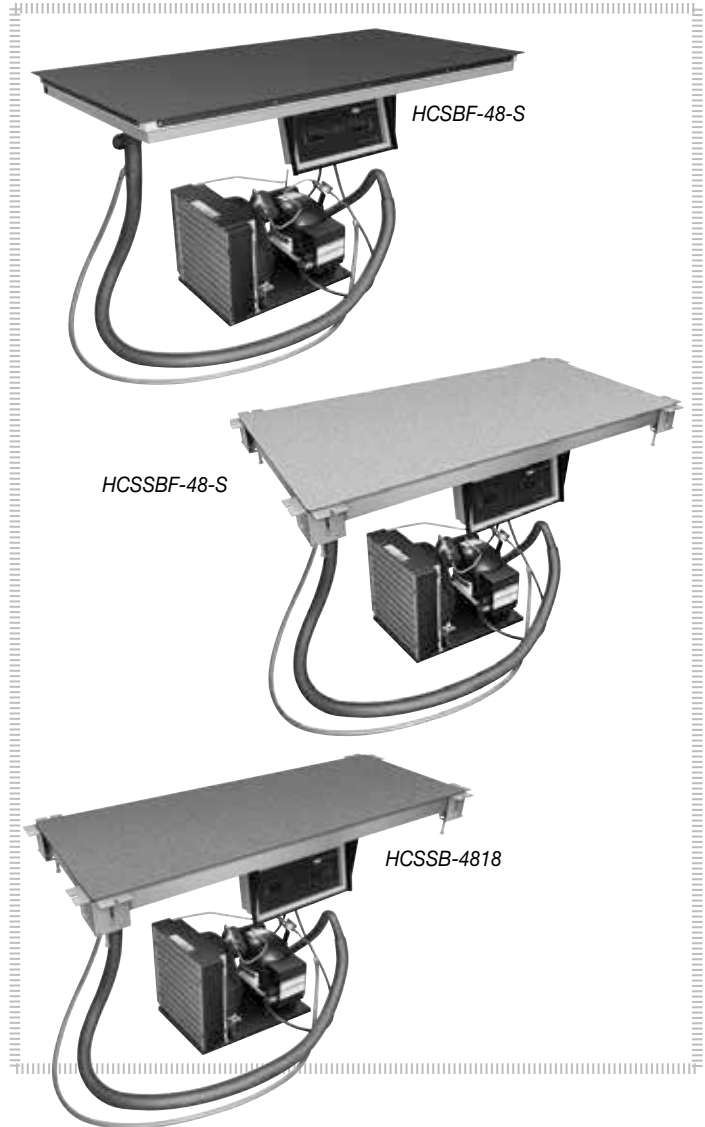
HCSSBF-24-F, -24-I, -24-S, -36-F, -36-I, -36-S,  
-48-F, -48-I, -48-S

HCSSB-2418, -3018, -3618, -4818

Give your operation ultimate flexibility with Hatco's, innovative Hot/Cold Built-In Shelves (patent pending). Available in our signature Hardcoat or in Swanstone®, they easily transition between a heated to cold and cold to heated shelf!

### Standard features

- The shelves change modes from hot to cold or vice versa in as little as 60 minutes, allowing quick change for different day parts
- Hardcoat aluminum models (HCSBF) are top mount while Swanstone® models (HCSSBF, HCSSB) are bottom mount, flush with counter top
- For an integrated look:
  - HCSBF Hot/Cold Shelves match the GRSBF Heated Built-In Shelves
  - HCSSBF Hot/Cold Shelves match the GRSSBF Heated Built-In Shelves
  - HCSSB Hot/Cold Shelves match the GRSSB Heated Built-In Shelves
- Models shipped with Electronic Temperature Control and Condensing Unit
- Control box can be mounted on the front of the cabinet, 4' (1219 mm) from center of shelf
- Condensing unit may be mounted up to 4' (1219 mm) away from the center of shelf
- Long, flexible refrigerant line (ability to pullout condensing unit) for service
- The Hot/Cold Shelf construction utilizes R-404A
- Thermal break reduces condensation and temperature transfer (patent pending)
- Easy serviceability with a sight glass, service valves, dryer/filter, and a receiver



### Options (available at time of purchase only)

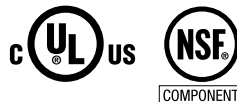
Swanstone® color of base for HCSSBF and HCSSB models only:

- Gray Granite
- Bermuda Sand
- Night Sky (Standard)

- Additional four year parts only warranty on the compressor available at time of purchase

### Accessories

- Silicone gasket for Swanstone® installation
- Silicone gasket and black silicone for Swanstone® installation
- Silicone gasket and gray silicone for Swanstone® installation



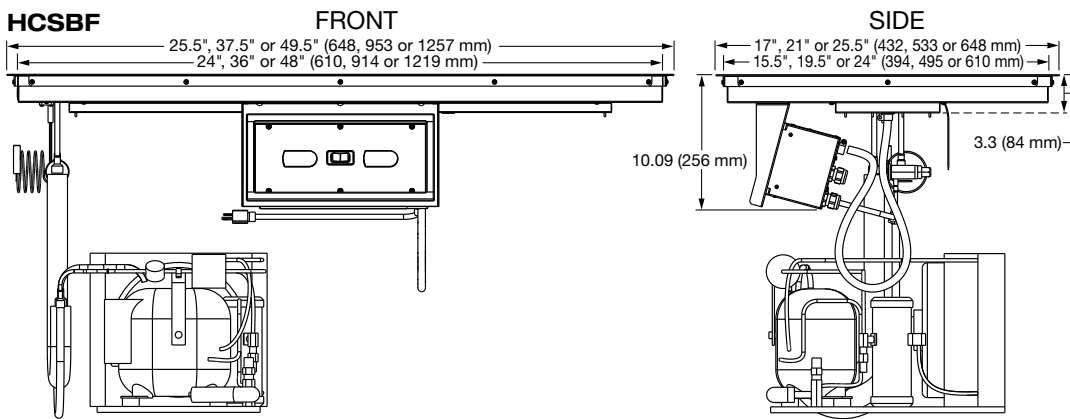
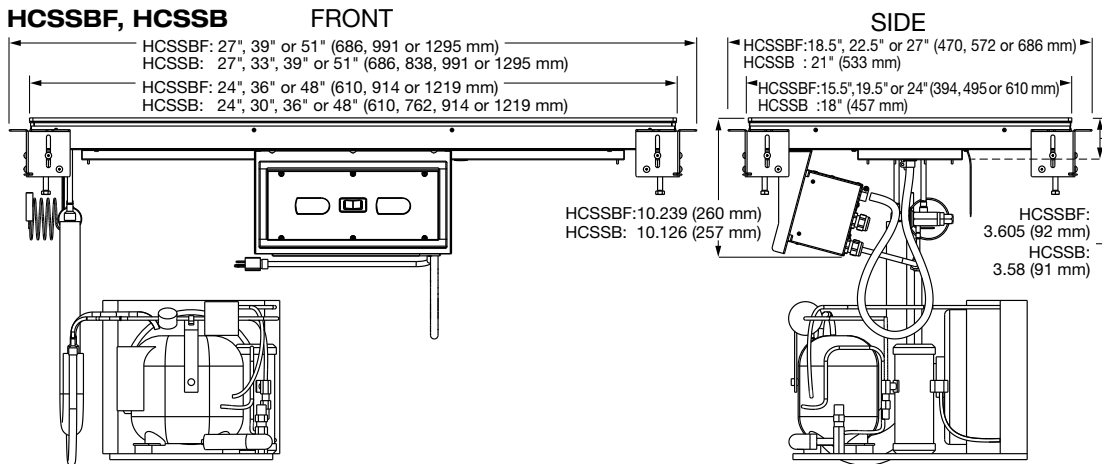
HATCO CORPORATION | P.O. Box 340500 Milwaukee, WI 53234-0500 U.S.A. | (800) 558-0607 | (414) 671-6350

Fax: (800) 543-7521 | Int'l. Fax: (414) 671-3976 | www.hatcocorp.com | equipsales@hatcocorp.com | intl@hatcocorp.com



# Hot/Cold Built-In Shelves

Models: HCSBF-24-F, -24-I, -24-S, -36-F, -36-I, -36-S, -48-F, -48-I, -48-S  
 HCSSBF-24-F, -24-I, -24-S, -36-F, -36-I, -36-S, -48-F, -48-I, -48-S  
 HCSSB-2418, -3018, -3618, -4818



## SPECIFICATIONS

### Hot/Cold Shelf - Built-In, Flush Top (Aluminum)

Model	Dimensions (Width x Depth)	Volts	Comp. Size (HP)	Watts	Amps	Plug
HCSBF-24-F	24" x 15.5" (610 x 394 mm)	120 Single Phase	1/4	804	6.7	NEMA 5-15P
HCSBF-24-I	24" x 19.5" (610 x 495 mm)					
HCSBF-24-S	24" x 24" (610 x 610 mm)					
HCSBF-36-F	36" x 15.5" (914 x 394 mm)		1/3	1044	8.7	
HCSBF-36-I	36" x 19.5" (914 x 495 mm)					
HCSBF-36-S	36" x 24" (914 x 610 mm)					
HCSBF-48-F	48" x 15.5" (1219 x 394 mm)		1/2	1380	11.5	
HCSBF-48-I	48" x 19.5" (1219 x 495 mm)					
HCSBF-48-S	48" x 24" (1219 x 610 mm)					

### Hot/Cold Stone\* Shelf - Built-In

Model	Dimensions (Width x Depth)	Volts	Comp. Size (HP)	Watts	Amps	Plug
HCSSB-2418	24 x 18" (610 x 457 mm)	120 Single Phase	1/4	804	6.7	NEMA 5-15P
HCSSB-3018	30" x 18" (762 x 457 mm)					
HCSSB-3618	36" x 18" (914 x 457 mm)		1/3	1044	8.7	
HCSSB-4818	48" x 18" (1219 x 457 mm)					

\* Imitation stone

## PRODUCT SPECS

### Hot/Cold Built-In Shelves

The Hot/Cold Built-In Shelf, patent pending, shall be model ... as manufactured by the Hatco Corporation, Milwaukee, WI 53234 U.S.A.

The Hot/Cold Built-In Shelf shall be rated at ... watts, ... volts, and ... inches (millimeters) in overall width.

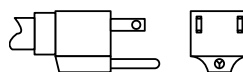
### Hot/Cold Stone\* Built-In Shelf - Flush Top

Model	Dimensions (Width x Depth)	Volts	Comp. Size (HP)	Watts	Amps	Plug
HCSSBF-24-F	24" x 15.5" (610 x 394 mm)	120 Single Phase	1/4	804	6.7	NEMA 5-15P
HCSSBF-24-I	24" x 19.5" (610 x 495 mm)					
HCSSBF-24-S	24" x 24" (610 x 610 mm)					
HCSSBF-36-F	36" x 15.5" (914 x 394 mm)		1/3	1044	8.7	
HCSSBF-36-I	36" x 19.5" (914 x 495 mm)					
HCSSBF-36-S	36" x 24" (914 x 610 mm)					
HCSSBF-48-F	48" x 15.5" (1219 x 394 mm)		1/2	1380	11.5	
HCSSBF-48-I	48" x 19.5" (1219 x 495 mm)					
HCSSBF-48-S	48" x 24" (1219 x 610 mm)					

\* Imitation stone

## PLUG CONFIGURATION

### NEMA 5-15P



It shall consist of food-safe material. Condenser attached to Evaporator with 5 foot (1524 mm) flexible tubing, adjustable bracket with cord and plug attached.

Warranty consists of 24/7 parts and service assistance (U.S. and Canada only).

HATCO CORPORATION | P.O. Box 340500 Milwaukee, WI 53234-0500 U.S.A. | (800) 558-0607 | (414) 671-6350

Fax: (800) 543-7521 | Int'l. Fax: (414) 671-3976 | www.hatcocorp.com | equipmentsales@hatcocorp.com | intl@hatcocorp.com