



GLO-RAY® CARVING STATIONS

Models GRCSCCL-24, GRCSCCLH-24

The Glo-Ray® Carving Station is the ideal attachment to extend food holding times during serving periods. This adjustable height station features ceramic heating elements, incandescent lights and sturdy right-hand sneeze guard to protect the work area.

FLEXIBILITY

Models are available with or without base heat. Independent controls define the temperature settings for the ceramic element top heat and the blanket element base heat.

The Glo-Ray Carving Station can sit on top of the Flav-R-Savor® Portable Holding Cabinet as well as on countertops, designing a complete serving station for buffet lines.

The height of this station can be adjusted to provide a clearance of 17.5" up to 23.5" (445-597 mm) from the top of the base to the bottom of the foodwarmer housing.

The Carving Station features ceramic heating elements, specially coated incandescent lights, and a sturdy sneeze guard on the right-hand side. A left-hand sneeze guard is available both as an accessory and as a retrofit kit. The Carving Station comes with a 6' (1829 mm) cord and plug attached. Custom drip pan and cutting board are also available.

QUALITY

The following features assure the finest performance for years to come:

- Ceramic heating element from above extend food holding times safely during serving periods.
- Models available with or without heated base.
- The Carving Station features ceramic heating elements, incandescent lights, and a sturdy right-hand sneeze guard.
- Coated shatter-resistant incandescent lights enhance brilliant product display while safeguarding food products from bulb breakage.
- Add Carving Station to Flav-R-Savor holding cabinets to design a complete serving station for buffet lines.
- Optional left-hand sneeze guard, custom drip pans, and approved foodsafe cutting boards available.



Model GRCSCCLH-24 with optional base heat, left-hand sneeze guard, drip pan, and cutting board

CERAMIC AND BLANKET HEATING ELEMENTS
GUARANTEED AGAINST BURNOUT AND BREAKAGE
FOR ONE YEAR.



HATCO CORPORATION P.O. Box 340500 Milwaukee, WI 53234-0500 U.S.A.
(800) 558-0607 • (414) 671-6350 • Fax (800) 543-7521 • Int'l. Fax (414) 671-3976
www.hatcocorp.com • E-mail: equipsales@hatcocorp.com

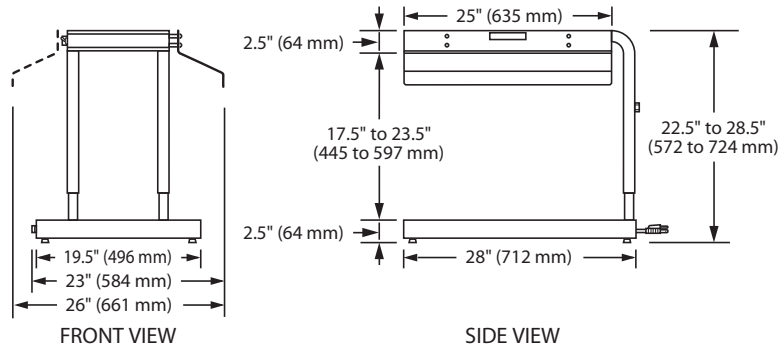
Form No. GRCSCCL Spec Sheet

Printed in U.S.A.
August 2009



GLO-RAY® CARVING STATIONS

Models GRCSCCL-24, GRCSCCLH-24



SPECIFICATIONS

Model	Volts	Watts	Amps	Shipping Weight
GRCSCCL-24	120	990	8.3	55 lbs. (25 kg)
GRCSCCLH-24*	120	1290	10.8	56 lbs. (25 kg)

*"H" model indicates heated base.

DIMENSIONS

26"W (including left- and right-hand sneeze guards) x 28"D x 22.5"-28.5"H (661 x 712 x 572-724 mm).

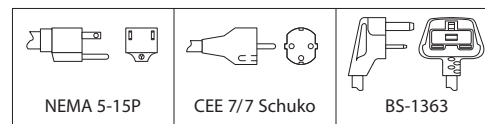
VOLTAGE

120 volts, single phase (uses NEMA 5-15P).
Export voltages available.

CORD LOCATION

Back side on base.

PLUG CONFIGURATIONS



OPTIONS

- Halogen Bulb in lieu of Standard Display Light

ACCESSORIES

- Left-Hand Sneeze Guard Kit (3 lbs. (1 kg))

- Stainless Steel Custom Drip Pan
20" x 26.75" x 1" (508 x 680 x 25 mm) (9 lbs. (4 kg))
- Approved Foodsafe Cutting Board
18" x 24" x 1.75" (457 x 610 x 45 mm) (19 lbs. (9 kg))

PRODUCT SPECS

Carving Station

The Infrared Foodwarmer shall be a Glo-Ray®, manufactured by the Hatco Corporation, Milwaukee, WI 53234 U.S.A.

The Foodwarmer shall be a Glo-Ray Model ... , rated at ... watts, ... volts, single phase, and be ... inches (millimeters) in overall width.

With 24/7 parts and service assistance (U.S. and Canada only), the Glo-Ray shall consist of ceramic heating elements, incandescent lights, and sneeze guard.

The foodwarmer shall be factory-assembled ready for electrical installation.

Accessories shall include left-hand sneeze guard kit, stainless steel custom drip pan, and approved foodsafe cutting board.