



DECORATIVE CARVING STATION

Models DCS400-1, DCSB400-R24-1, DCSB400-2420-1, DCSB400-3624-2

Providing proper food serving temperatures, the Decorative Carving Station combines the Hatco Decorative Heat Lamp with the Swanstone® Heated Base to create an attractive carving display. These warmers are perfect for chef stations in restaurants, hotels, country clubs, casinos, and catered events.

FLEXIBILITY

Utilizing a patent-pending telescoping and pivoting stem, the height of these carving stations can be adjusted from 14" to 26" (356 to 660 mm) from the bottom of the lamp to the top of the cutting board (except DCS400-1). The chef/operator can adjust the lamp height to the exact position over all types of roasts and meat products being carved. The adjustable post pivots 30° to put the heat and light where it is needed. All lamp shades and stands are available in three Plated colors: Bright Brass, Bright Nickel, and Antique Bronze. Each unit includes a 250 watt coated lamp.

The Decorative Carving Station features heating from above and sturdy sneeze guard (except DCS400-1). The Carving Station comes with a Swanstone cutting board to match color of base (except DCS400-1), 6' (1829 mm) cord and plug attached.

QUALITY

The following features assure the finest performance for years to come:

- Freestanding or with a round or rectangular heated stone base.
- Patent-pending telescoping adjustable post pivots 30° to put the heat and light where it is needed.
- Decorative lamp shade swivels to focus the light and heat on food products.
- Decorative posts and lamps are available in three Plated colors: Bright Brass, Bright Nickel (standard), and Antique Bronze.
- Heated base is controlled by an adjustable thermostat and power switch.
- Heated stone bases, post bases, and cutting boards are made of foodsafe materials and come in four Swanstone® Decorative Stone colors: Gray Granite, Bermuda Sand, Night Sky (standard), and Sawgrass.
- Comes standard with clear coated, 250 watt bulb(s). Accessory red coated 250 watt bulb available.
- Sneeze guard is 5" (127 mm) above base for easy accessibility.



Model DCSB400-R24-1 with Bright Brass posts and shades, Night Sky base and cutting board with juice groove



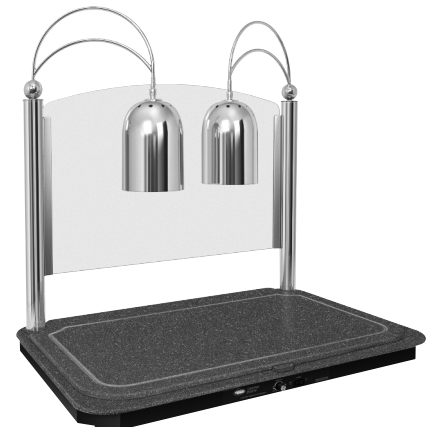
Model DCS400-1
with Bright Brass
Post and shade



Model DCSB400-R24-1 with
Antique Bronze post and shade,
Night Sky base and cutting board
with juice groove



Model DCSB400-2420-1 with
Bright Nickel post and shade,
Night Sky base and cutting
board with juice groove



Model DCSB400-3624-2 with Bright Brass
posts and shades, Night Sky base and
cutting board with juice groove



HATCO CORPORATION P.O. Box 340500 Milwaukee, WI 53234-0500 U.S.A.
(800) 558-0607 • (414) 671-6350 • Fax (800) 543-7521 • Int'l. Fax (414) 671-3976
www.hatcocorp.com • E-mail: equipsales@hatcocorp.com

PARTS AND LABOR GUARANTEED (EXCLUDES SNEEZE GUARD AND LIGHT BULBS) FOR ONE YEAR.

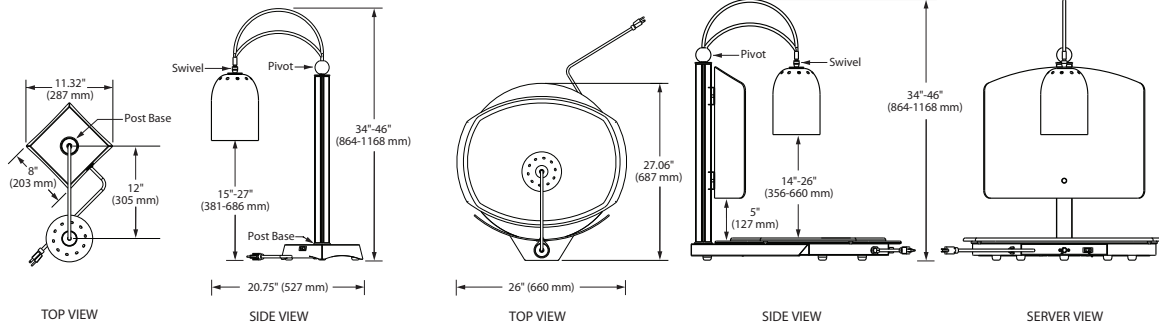
Form No. DCS Spec Sheet

Printed in U.S.A.
February 2010



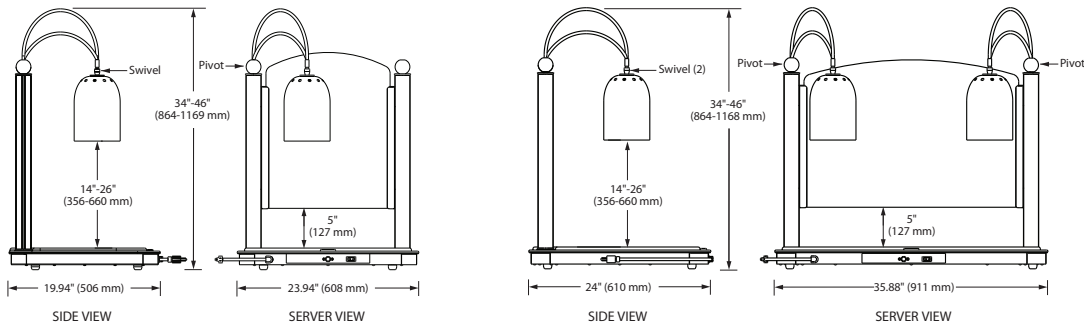
DECORATIVE CARVING STATION

Models DCS400-1, DCSB400-R24-1, DCSB400-2420-1, DCSB400-3624-2



Model DCS400-1

Model DCSB400-R24-1



Model DCSB400-2420-1

Model DCSB400-3624-2

SPECIFICATIONS

Model	Volts	Watts	Amps	Shipping Weight
DCS400-1	120	250	2.1	25 lbs. (11 kg)
DCSB400-R24-1	120	600	5.0	70 lbs. (32 kg)
DCSB400-2420-1	120	750	6.3	80 lbs. (36 kg)
DCSB400-3624-2	120	1300	10.8	120 lbs. (54 kg)

DIMENSIONS

DCS400-1: 8"W x 20.75"D x 34"-46"H (203 x 527 x 864-1168 mm).

DCSB400-R24-1: 26"W x 27.06"D x 34"-46"H

(660 x 687 x 864-1168 mm).

DCSB400-2420-1: 23.94"W x 19.94"D x 34"-46"H

(608 x 506 x 864-1168 mm).

DCSB400-3624-2: 35.88"W x 24"D x 34"-46"H

(911 x 610 x 864-1168 mm).

HEATED BASE SURFACE AREA

DCSB400-R24-1: 24" (609 mm) diameter.

DCSB400-2420-1: 24"W x 20"D (609 x 508 mm).

DCSB400-3624-2: 36"W x 24"D (914 x 609 mm).

VOLTAGE

120 volts, single phase (uses NEMA 5-15P). Export voltages available.

CORD LOCATION

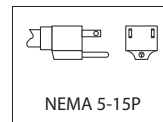
DCS400-1: Base of unit, server side center.

DCSB400-R24-1: Base of unit, server side on left.

DCSB400-2420-1: Base of unit, server side on left.

DCSB400-3624-2: Base of unit, server side on left.

PLUG CONFIGURATIONS



NEMA 5-15P

OPTIONS

- Post and Lamp Shades Plated colors: Bright Brass, Bright Nickel (standard), Antique Bronze
- Heated Stone Base, post base, and Cutting Board Swanstone® color: Gray Granite, Bermuda Sand, Night Sky (standard), Sawgrass

ACCESSORIES

- Coated Red Bulb, 250 Watt (clear coat is standard)
- Swanstone® Cutting Boards with Juice Groove (Heated Base units include one Cutting Board)

PRODUCT SPECS

Decorative Carving Station

The Foodwarmer shall be a Decorative Carving Station, manufactured by the Hatco Corporation, Milwaukee, WI 53234 U.S.A.

With 24/7 parts and service assistance (U.S. and Canada only), the Foodwarmer shall be a Decorative Carving Station Model ... , rated at ... watts, ... volts, single phase, and be ... inches (millimeters) in overall width.

The foodwarmer shall be factory-assembled ready for electrical installation with cutting board and 6' (1829 mm) cord and plug.