



Project \_\_\_\_\_  
 Item # \_\_\_\_\_  
 Quantity \_\_\_\_\_

## Cold Shelves Built-In and Undermount

Models: CSBF-24-F, -24-I, -24-S, -36-F, -36-I, -36-S,  
 -48-F, -48-I, -48-S  
 CSU-24-F, -24-I, -24-S, -36-F, -36-I, -36-S,  
 -48-F, -48-I, -48-S

Hatco's Cold Built-In and Undermount Shelves are designed to keep your products in the perfect chill zone. Undermount shelves offer the same great performance as the Built-In option, but can be installed under the counter top of your choice!

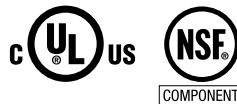
### Standard features

- CSBF models have an aluminum hard coat surface, while CSU models have an aluminum surface
- The CSBF Cold Built-In Shelves match the GRSBF Heated Built-In Shelves for a fully integrated look
- For CSU models: mount under a granite or quartz counter top 3/4" to 1 1/16" (20 to 30 mm) thick or less for a seamless look\*
- Thermal break reduces condensation and temperature transfer on CSBF models (patent pending)
- Models shipped with Electronic Temperature Control and Condensing Unit
- Control box can be mounted on the front of the cabinet, 4' (1219 mm) from center of shelf
- Condensing unit may be mounted up to 4' (1219 mm) away from the center of shelf
- Long, flexible refrigerant line (ability to pullout condensing unit) for service
- Shelf construction utilizes R-404A refrigerant
- Easy serviceability with a sight glass, service valves, dryer/filter, and a receiver

\* Make structural modifications or add bracing underneath the countertop to ensure countertop will support the weight of the unit and its contents.



**Options** (available at time of purchase only)  
 Additional four year parts only warranty on the compressor available at time of purchase



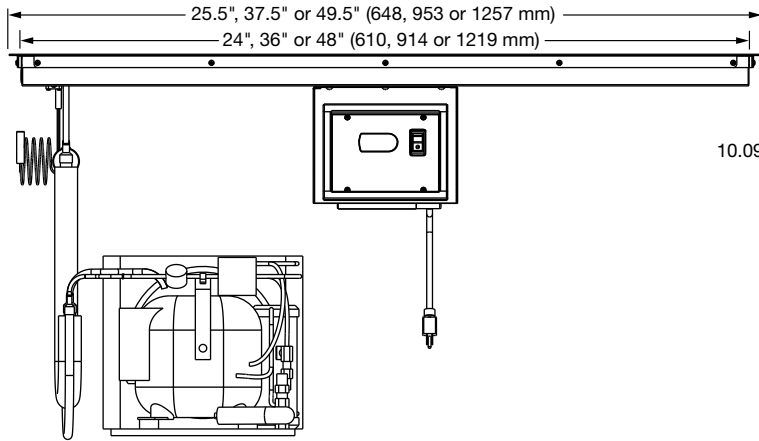
**HATCO CORPORATION** | P.O. Box 340500 Milwaukee, WI 53234-0500 U.S.A. | (800) 558-0607 | (414) 671-6350  
 Fax: (800) 543-7521 | Int'l. Fax: (414) 671-3976 | www.hatcocorp.com | equipsales@hatcocorp.com | intl@hatcocorp.com



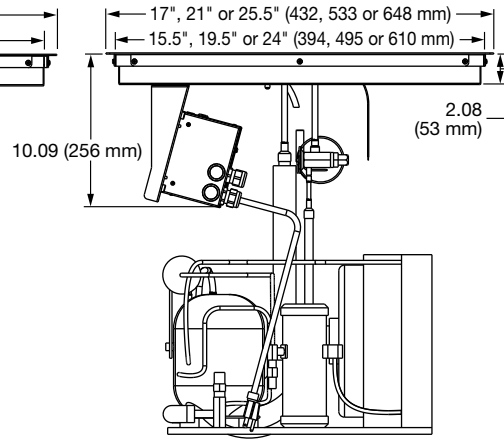
# Cold Shelves Built-In and Undermount

Models: CSBF-24-F, -24-I, -24-S, -36-F, -36-I, -36-S, -48-F, -48-I, -48-S  
 CSU-24-F, -24-I, -24-S, -36-F, -36-I, -36-S, -48-F, -48-I, -48-S

## CSBF

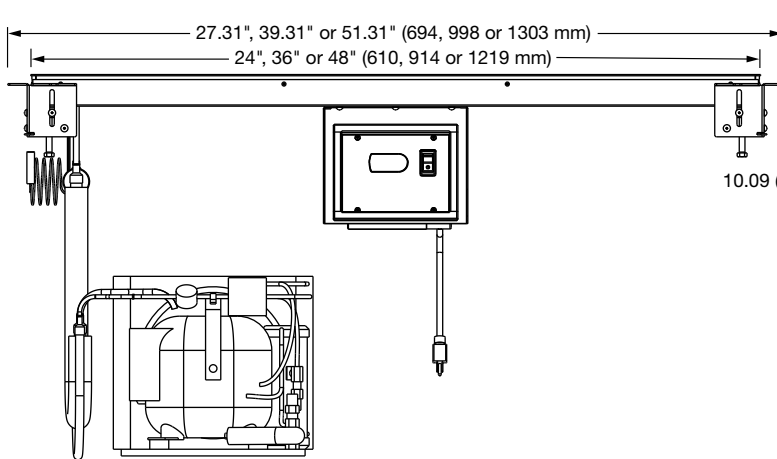


FRONT

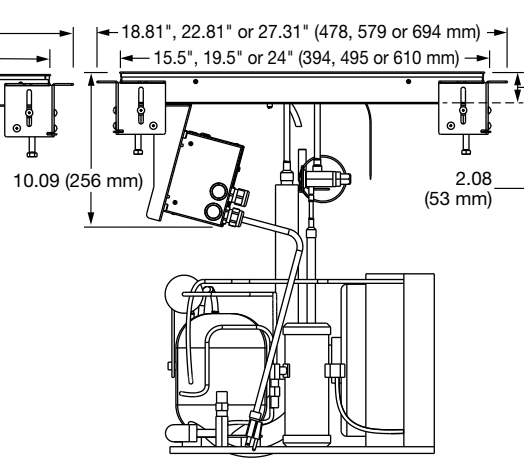


SIDE

## CSU



FRONT



SIDE

## SPECIFICATIONS

### Cold Built-In Shelf - Flush Top

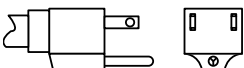
Model*	Dimensions (Width x Depth)	Volts	Comp. Size (HP)	Watts	Amps	Plug
CSBF-24-F	24" x 15.5" (610 x 394 mm)	120 Single Phase	1/4	804	6.7	NEMA 5-15P
CSBF-24-I	24" x 19.5" (610 x 495 mm)					
CSBF-24-S	24" x 24" (610 x 610 mm)					
CSBF-36-F	36" x 15.5" (914 x 394 mm)		1/3	1044	8.7	
CSBF-36-I	36" x 19.5" (914 x 495 mm)					
CSBF-36-S	36" x 24" (914 x 610 mm)					
CSBF-48-F	48" x 15.5" (1219 x 394 mm)		1/2	1380	11.5	
CSBF-48-I	48" x 19.5" (1219 x 495 mm)					
CSBF-48-S	48" x 24" (1219 x 610 mm)					

### Cold Shelf Undermount

Model*	Dimensions (Width x Depth)	Volts	Comp. Size (HP)	Watts	Amps	Plug
CSU-24-F	24" x 15.5" (610 x 394 mm)	120 Single Phase	1/4	804	6.7	NEMA 5-15P
CSU-24-I	24" x 19.5" (610 x 495 mm)					
CSU-24-S	24" x 24" (610 x 610 mm)					
CSU-36-F	36" x 15.5" (914 x 394 mm)		1/3	1044	8.7	
CSU-36-I	36" x 19.5" (914 x 495 mm)					
CSU-36-S	36" x 24" (914 x 610 mm)					
CSU-48-F	48" x 15.5" (1219 x 394 mm)		1/2	1380	11.5	
CSU-48-I	48" x 19.5" (1219 x 495 mm)					
CSU-48-S	48" x 24" (1219 x 610 mm)					

## PLUG CONFIGURATION

NEMA 5-15P



## PRODUCT SPECS

### Cold Stone Built-In Shelves

The Cold Built-In Shelf, patent pending, shall be model ... as manufactured by the Hatco Corporation, Milwaukee, WI 53234 U.S.A.

The Cold Built-In Shelf shall be rated at ... watts, ... volts, and ... inches (millimeters) in overall width.

It shall consist of food-safe material. Condenser attached to Evaporator with 5 foot (1524 mm) flexible tubing, adjustable bracket with cord and plug attached.

Warranty consists of 24/7 parts and service assistance (U.S. and Canada only).

HATCO CORPORATION | P.O. Box 340500 Milwaukee, WI 53234-0500 U.S.A. | (800) 558-0607 | (414) 671-6350

Fax: (800) 543-7521 | Int'l. Fax: (414) 671-3976 | www.hatcocorp.com | equipmentsales@hatcocorp.com | intl@hatcocorp.com