

APPLICATION:

JOB NAME:

QUANTITY: _____ **ITEM NO.:** _____

PRODUCT NAME:

FILLKING

SPECIAL CONFIGURATION
CHECK BASE MODEL AND OPTIONS

MODEL:

14087

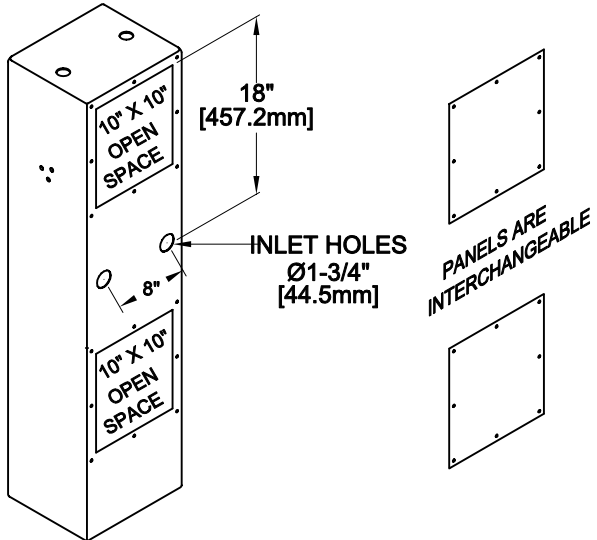
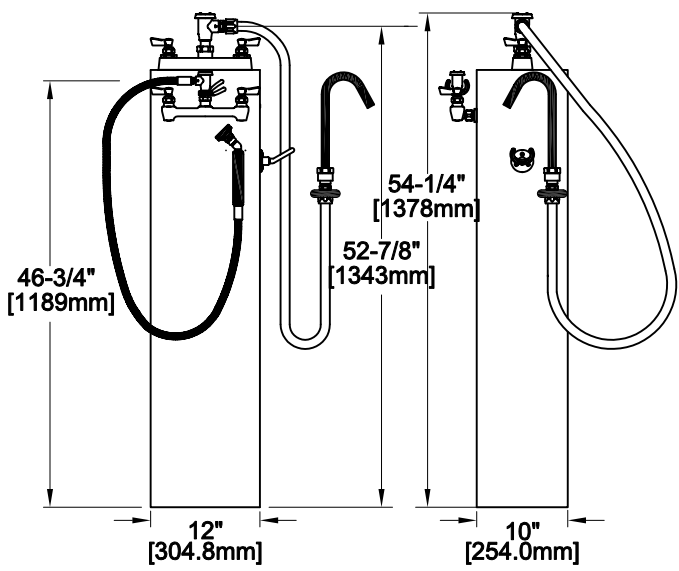
OPTIONS OR MODIFICATIONS:

3/4" ANGLE STOPS

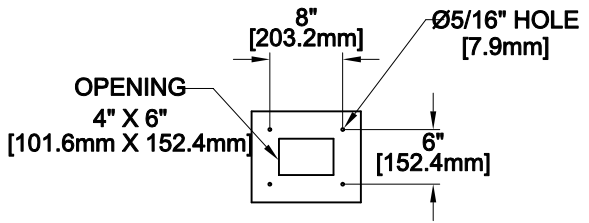
6' SUPPLY LINES

OTHER _____

FEATURES:



ROUGH-IN: SEE THE BOTTOM OF THIS BOX



- CONTROL VALVES**
- * 3/4" POT FILLER - DECK MOUNT FAUCET
 - * 1/2" UTILITY - BACK SPLASH MOUNTED FAUCET
- BOTH CONTROL VALVES LISTED ABOVE HAVE THE FOLLOWING FEATURES:**
- * INTERNAL SPRING LOADED CHECK VALVES
 - * SWIVELING SEAT DISKS
 - * HOT SIDE STEM - RIGHT HAND
 - * COLD SIDE STEM - LEFT HAND
 - * STAINLESS STEEL SEATS
 - * STAINLESS STEEL SEAT SCREWS
 - * STAINLESS STEEL HANDLE SCREWS
- 3/4" POT FILLER HOSE**
- * 72" LG. HEAT MASTER FDA NITRILE/ARAMID
 - * NSF-51 (100 PSI W.P. AT 300°F) CONSTANT
 - * RENEWABLE END FITTINGS AND BUMPER
 - * INLET - 360° SWIVEL VACUUM BREAKER
 - * OUTLET - 360° SWIVEL SPOUT W/ VINYL FINISH
- 1/2" UTILITY HOSE**
- * 84" LG. 3-PLY FIBER REINFORCED RUBBER
 - * STAINLESS STEEL EXTERNAL JACKET
 - * STAINLESS STEEL RENEWABLE END FITTINGS
 - * INLET - SWIVEL VACUUM BREAKER
 - * OUTLET - 45° SPRAY HEAD
 - * SHOWER SPRAY PATTERN
 - * THERMAL INSULATED HANDLE
- CABINET**
- * STAINLESS STEEL TOWER W/ INTERNAL FLOOR MOUNT FLANGE
 - * INTERCHANGEABLE ACCESS PANELS FOR INSTALLATION AND MAINTENANCE
- SYSTEM LIMITS:**
- * TEMP: 40°F MIN. TO 140°F MAX.
 - * PRESSURE: 100 PSI MAX. WORKING
 - * 3/4" POT FILLER: 40 GPM AT 80 PSI
 - * 1/2" UTILITY SPRAY: 2.65 GPM AT 80 PSI
- SHIPPING WEIGHT**
- * 78.0 LBS