

PRODUCT NAME: **STAINLESS STEEL SINGLE WALL FAUCET**

- MODEL:
- 49417 10" SWING SPOUT W/ CROSS HANDLE
  - 49484 10" SWING SPOUT W/ WRIST HANDLE

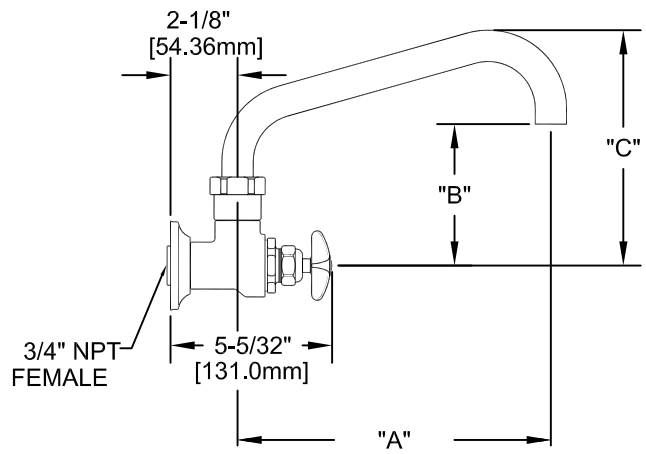
- FEATURES:
- \* SINGLE WALL
  - \* SWIVELLING SEAT DISKS
  - \* STEM - RIGHT HAND
  - \* STAINLESS STEEL SEATS
  - \* STAINLESS STEEL SEAT SCREWS
  - \* STAINLESS STEEL HANDLE SCREWS
  - \* HOT & COLD INDEX BUTTONS

RECOMMENDED SETTINGS  
\* 110°F AT 80 PSI

SYSTEM LIMITS  
\* TEMP: 40°F MIN. TO 140°F MAX.  
\* PRESSURE 200 PSI MAX. STATIC  
\* 29 GPM @ 80 PSI

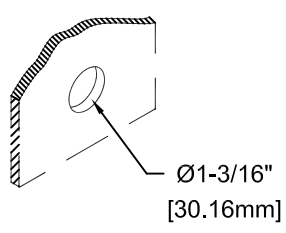
SHIPPING WEIGHT  
\* 8.5 LBS

\* NSF 61-9 APPROVED & LISTED  
[www.truesdail.com](http://www.truesdail.com)



MODEL	DIM "A"	DIM "B"	DIM "C"
49417	10" [254.0mm]	4-1/2" [114.6mm]	7-1/2" [190.8mm]
49484	10" [254.0mm]	4-1/2" [114.6mm]	7-1/2" [190.8mm]

ROUGH-IN:



ANSI/A112.18.1-2005

**FISHER**  
FISHER MANUFACTURING COMPANY  
TOLL FREE: 800-421-6162 - FAX: 800-832-8238  
[information@fisher-mfg.com](mailto:information@fisher-mfg.com) - [www.fisher-mfg.com](http://www.fisher-mfg.com)