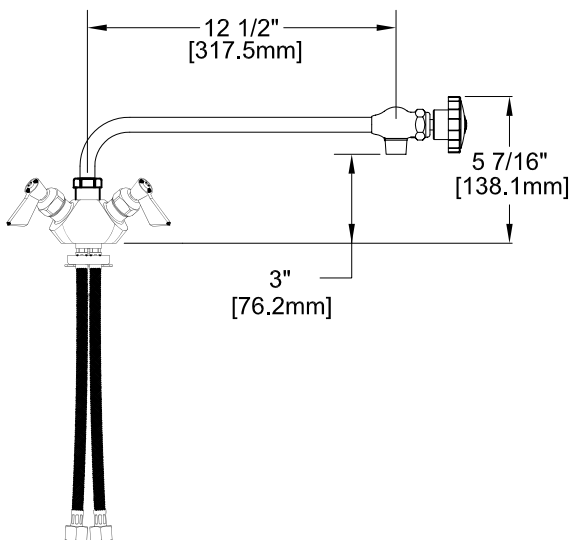
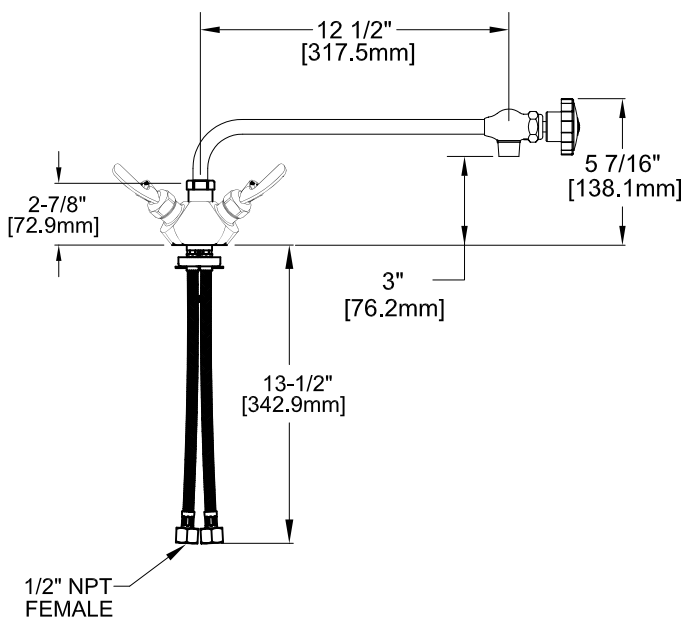


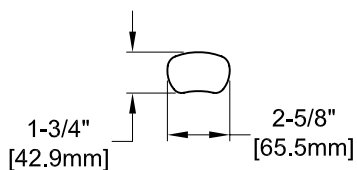
SINGLE DECK DUAL CONTROL FAUCET W/ LEVER HANDLES



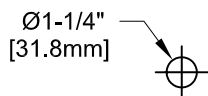
SINGLE DECK DUAL CONTROL FAUCET W/ WRIST HANDLES



FOOTPRINT:



ROUGH-IN:



ANSI/A112.18.1-2005

PRODUCT NAME: STAINLESS STEEL SINGLE DECK DUAL CONTROL FAUCET

MODEL:

- 54674 W/ 12" CONTROL SWING SPOUT W/ LEVER HANDLES
- 57428 W/ 12" CONTROL SWING SPOUT W/ WRIST HANDLES

FEATURES

CONTROL VALVE

- \* SINGLE DECK DUAL CONTROL
- \* STAINLESS STEEL CONSTRUCTION
- \* SWIVELLING SEAT DISKS
- \* HOT SIDE STEM - RIGHT HAND
- \* COLD SIDE STEM - LEFT HAND
- \* LEVER HANDLES OR WRIST HANDLES
- \* STAINLESS STEEL BRAIDED HOSE
- \* CONTROL SWING SPOUT

SYSTEM LIMITS

- \* TEMP: 40°F MIN. TO 140°F MAX.
- \* 5 GPM @ 60 PSI

SHIPPING WEIGHT

- \* 6.0 LBS

\* NSF 61-9 APPROVED & LISTED  
[www.truesdail.com](http://www.truesdail.com)



FISHER MANUFACTURING COMPANY  
TOLL FREE: 800-421-6162 - FAX: 800-832-8238  
[information@fisher-mfg.com](mailto:information@fisher-mfg.com) - [www.fisher-mfg.com](http://www.fisher-mfg.com)