

APPLICATION:

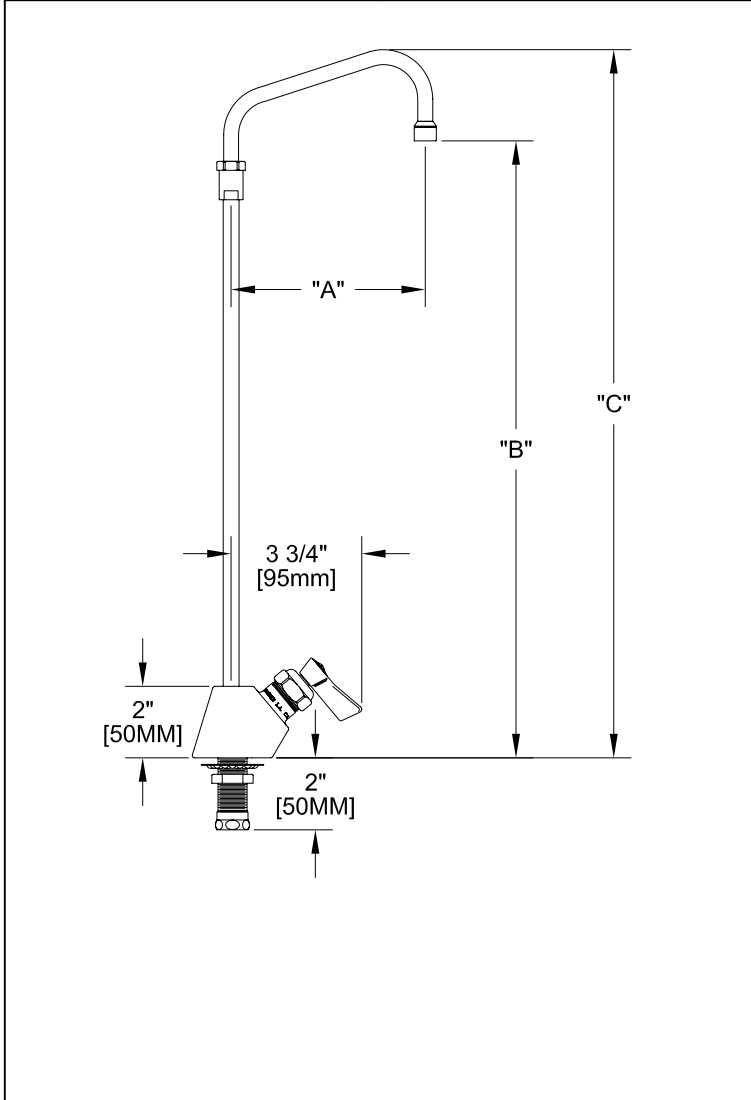
JOB NAME:

QUANTITY: ITEM NO.

PRODUCT NAME:

SINGLE DECK KETTLE FILLER

_____ SPECIAL CONFIGURATION
CHECK BASE MODEL AND OPTIONS



MODEL:

- 10375 WITH 6" SWING SPOUT
- 10383 WITH 8" SWING SPOUT
- 10405 WITH 10" SWING SPOUT
- 10413 WITH 12" SWING SPOUT
- 10421 WITH 14" SWING SPOUT
- 10510 WITH 16" SWING SPOUT

FEATURES

CONTROL VALVE

- * SINGLE DECK
- * STAINLESS STEEL CONSTRUCTION
- * SWIVEL SEAT DISK
- * STEM - LEFT HAND
- * LEVER HANDLES OR WRIST HANDLES
- * STAINLESS STEEL SWING SPOUT

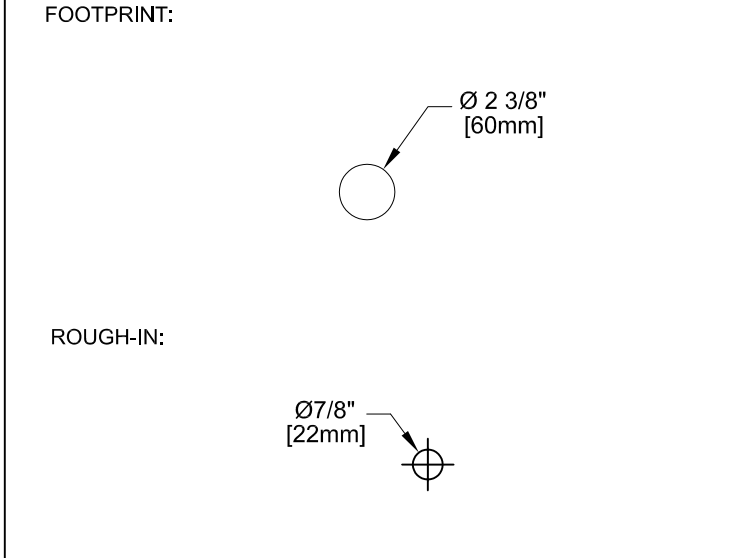
SYSTEM LIMITS

- * TEMP: 40°F MIN. TO 140°F MAX. STATIC
- * PRESSURE 200 PSI MAX.
- * 2.20 GPM AT 80 PSI

SHIPPING WEIGHT

- * 4.75 LBS

* NSF 61-9 APPROVED & LISTED
www.truesdail.com



MODEL	DIM "A"	DIM "B"	DIM "C"
10375	6" [152MM]	23" [584MM]	26-5/8" [676MM]
10383	8" [203MM]	23-1/4" [590MM]	27-1/8" [689MM]
10405	10" [254MM]	23-7/8" [606MM]	27-5/8" [701MM]
10413	12" [304MM]	24-1/2" [622MM]	28" [711MM]
10421	14" [355MM]	25-1/4" [640MM]	29" [736MM]
10510	16" [406MM]	25-7/8" [657MM]	29-5/8" [752MM]

FISHER
FISHER MANUFACTURING COMPANY
TOLL FREE: 800-421-6162 - FAX: 800-832-8238
information@fisher-mfg.com - www.fisher-mfg.com