

APPLICATION:

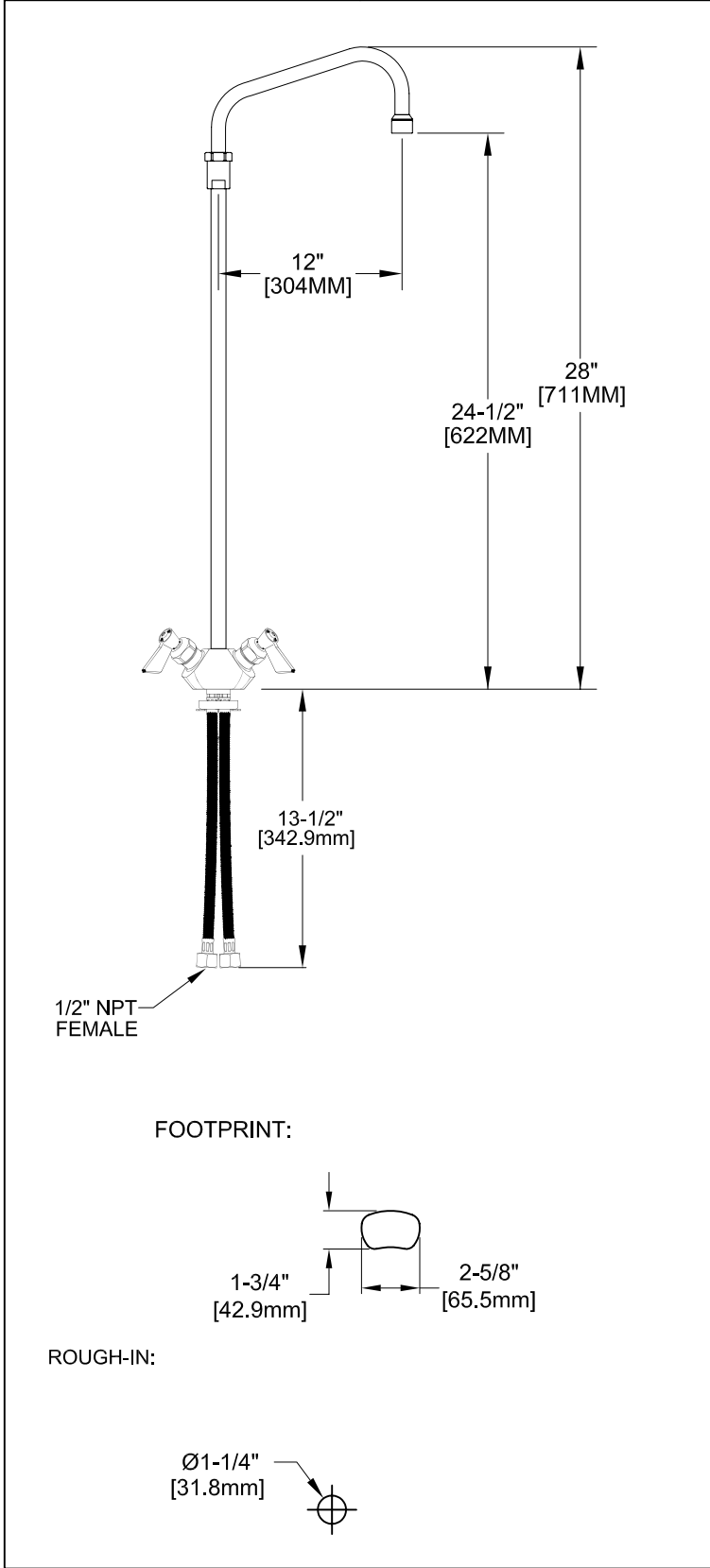
JOB NAME:

QUANTITY:                      ITEM NO.

PRODUCT NAME:  
 SINGLE DECK DUAL CONTROL  
 KETTLE FILLER

\_\_\_\_\_ SPECIAL CONFIGURATION  
 \_\_\_\_\_ CHECK BASE MODEL AND OPTIONS

MODEL:  
 12858 WITH 12" SWING SPOUT



FEATURES

CONTROL VALVE

- \* SINGLE DECK DUAL CONTROL
- \* STAINLESS STEEL CONSTRUCTION
- \* SWIVELLING SEAT DISKS
- \* HOT SIDE STEM - RIGHT HAND
- \* COLD SIDE STEM - LEFT HAND
- \* LEVER HANDLES OR WRIST HANDLES
- \* STAINLESS STEEL BRAIDED HOSE

SYSTEM LIMITS

- \* TEMP: 40°F MIN. TO 140°F MAX. STATIC
- \* PRESSURE 200 PSI MAX.
- \* 2.20 GPM AT 80 PSI

SHIPPING WEIGHT

- \* 4.75 LBS

\* NSF 61-9 APPROVED & LISTED  
[www.truesdail.com](http://www.truesdail.com)

ANSI/A112.18.1-2005

**FISHER**  
 FISHER MANUFACTURING COMPANY  
 TOLL FREE: 800-421-6162 - FAX: 800-832-8238  
[information@fisher-mfg.com](mailto:information@fisher-mfg.com) - [www.fisher-mfg.com](http://www.fisher-mfg.com)