

APPLICATION:

PRODUCT NAME:
STAINLESS STEEL
8" C/C DECK MOUNT RINSE FAUCET

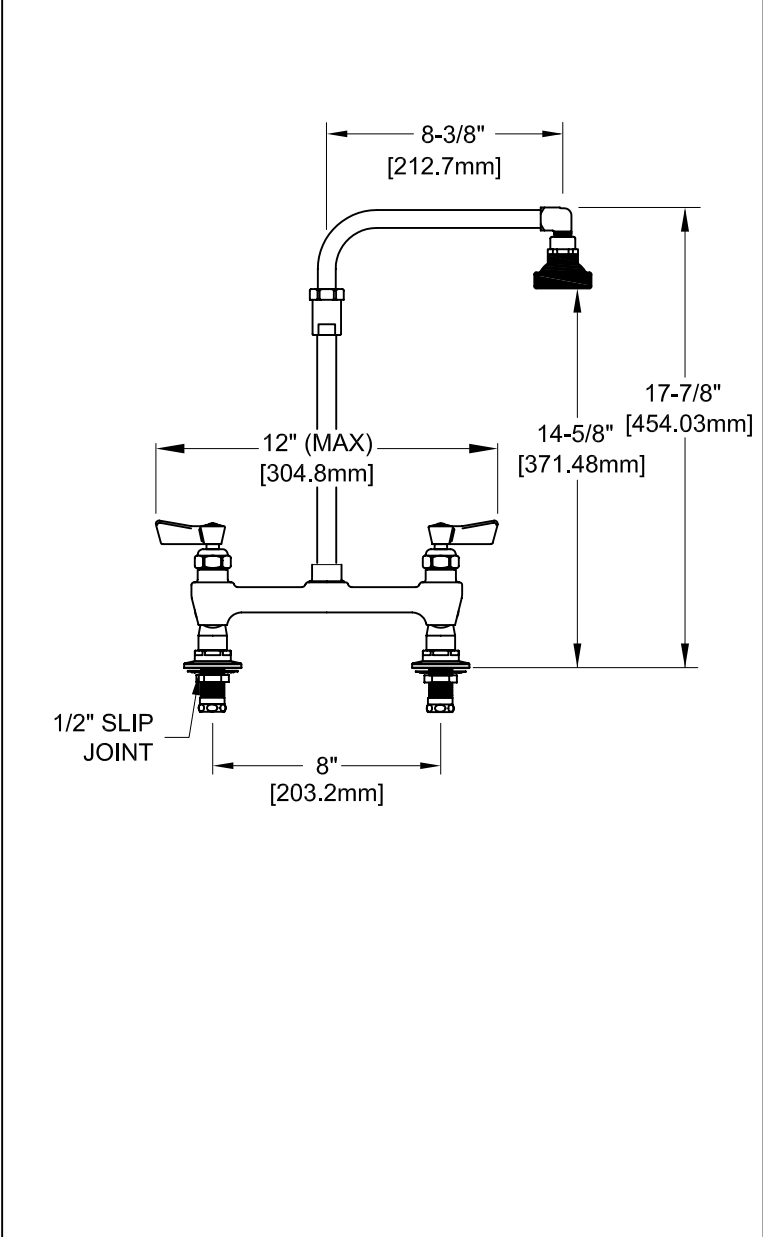
JOB NAME:

SPECIAL CONFIGURATION
■ 24252 CHECK BASE MODEL AND OPTIONS

QUANTITY:

ITEM NO.

FEATURES:



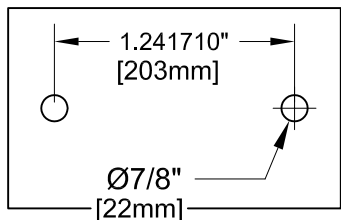
- CONTROL VALVE
 - * 8" C/C DECK MOUNT
 - * INTERNAL SPRING LOADED CHECK VALVES
 - * HOT SIDE STEM - RIGHT HAND
 - * COLD SIDE STEM - LEFT HAND
 - * STAINLESS STEEL SEATS
 - * STAINLESS STEEL SEAT SCREWS
 - * STAINLESS STEEL HANDLE SCREWS
 - * 1/2" SLIP JOINT KIT

- NOZZLE
 - * SHOWER SPRAY PATTERN

- SYSTEM LIMITS
 - * TEMP: 40°F MIN. TO 140°F MAX.
 - * PRESSURE 200 PSI MAX. STATIC
 - * 2.65 GPM AT 80 PSI

- SHIPPING WEIGHT
 - * 7.25 LBS

ROUGH-IN:



ANSI/A112.18.1M

FISHER
FISHER MANUFACTURING COMPANY
TOLL FREE: 800-421-6162 - FAX: 800-832-8238
information@fisher-mfg.com - www.fisher-mfg.com