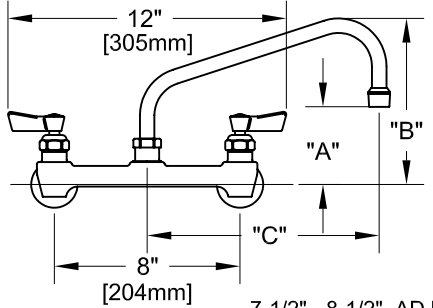
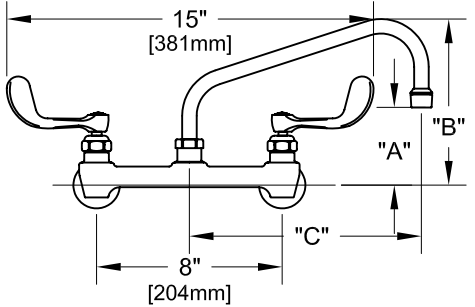


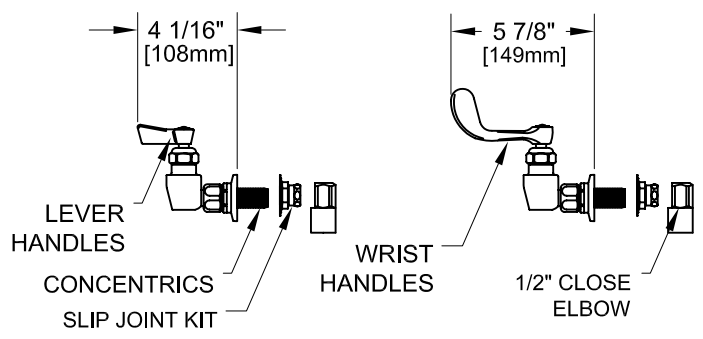
8" C/C BACKSPLASH FAUCET W/ LEVER HANDLES



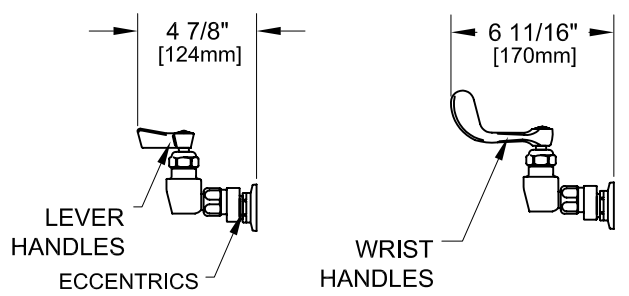
7-1/2" - 8-1/2" ADJ. WALL W/ WRIST HANDLES



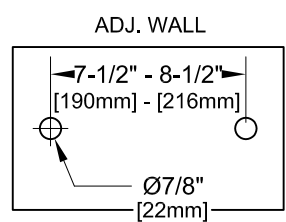
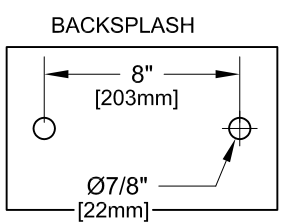
8" C/C BACKSPLASH FAUCET



7-1/2" - 8-1/2" ADJ. WALL



ROUGH-IN:



**PRODUCT NAME: STAINLESS STEEL
8" C/C BACKSPLASH /
7-1/2" - 8-1/2" ADJ. WALL FAUCET**

MODEL:

- 46280 W/ 6" SWING SPOUT W/ LEVER HANDLES
- 46299 W/ 8" SWING SPOUT W/ LEVER HANDLES
- 46302 W/ 10" SWING SPOUT W/ LEVER HANDLES
- 46310 W/ 12" SWING SPOUT W/ LEVER HANDLES
- 46329 W/ 14" SWING SPOUT W/ LEVER HANDLES
- 46337 W/ 16" SWING SPOUT W/ LEVER HANDLES
- 57061 W/ 6" SWING SPOUT W/ WRIST HANDLES
- 57088 W/ 8" SWING SPOUT W/ WRIST HANDLES
- 57096 W/ 10" SWING SPOUT W/ WRIST HANDLES
- 57118 W/ 12" SWING SPOUT W/ WRIST HANDLES
- 57126 W/ 14" SWING SPOUT W/ WRIST HANDLES
- 57134 W/ 16" SWING SPOUT W/ WRIST HANDLES

FEATURES

- CONTROL VALVE**
- * 8" C/C BACKSPLASH OR 7-1/2" - 8-1/2" ADJ. WALL MOUNT
 - * CONCENTRICS OR ECCENTRICS
 - * STAINLESS STEEL CONSTRUCTION
 - * SWIVELLING SEAT DISKS
 - * HOT SIDE STEM - RIGHT HAND
 - * COLD SIDE STEM - LEFT HAND
 - * LEVER HANDLES OR WRIST HANDLES
 - * 1/2" CLOSE ELBOWS
 - * EZ INSTALL ADAPTERS - T&S, CHI, KROWNE
 - * SWING SPOUT

SYSTEM LIMITS

- * TEMP: 40°F MIN. TO 140°F MAX.
- * PRESSURE: 200 PSI MAX. STATIC
- * 2.20 GPM AT 80 PSI

SHIPPING WEIGHT

- * 5.0 LBS

* NSF 61-9 APPROVED & LISTED
www.truedail.com

MODELS	DIM "A"	DIM "B"	DIM "C"
46280 57061	2-1/4" [57mm]	5-7/8" [149mm]	6" [152mm]
46299 57088	2-1/2" [64mm]	6-3/8" [162mm]	8" [204mm]
46302 57096	3-1/8" [79mm]	6-7/8" [175mm]	10" [254mm]
46310 57118	3-3/4" [95mm]	7-3/8" [187mm]	12" [305mm]
46329 57128	4-3/8" [111mm]	8-1/4" [210mm]	14" [356mm]
46337 57134	5" [127mm]	8-7/8" [225mm]	16" [406mm]



FISHER MANUFACTURING COMPANY
TOLL FREE: 800-421-6162 - FAX: 800-832-8238
information@fisher-mfg.com - www.fisher-mfg.com