

PRODUCT NAME: STAINLESS STEEL
8" C/C BACKSPLASH FAUCET

MODEL:
 60100 WITH 10" SWING SPOUT
 51179 WITH 14" SWING SPOUT

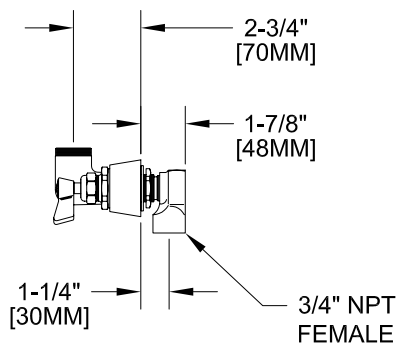
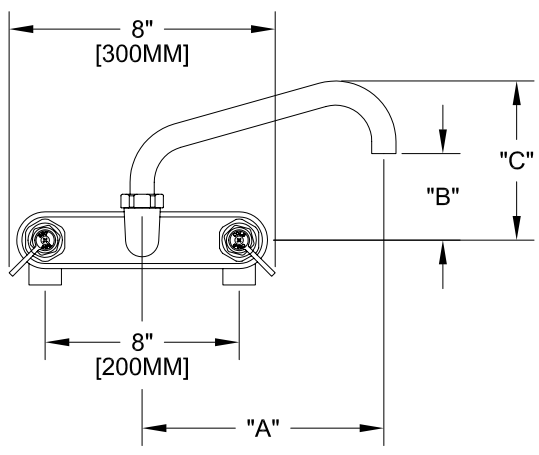
- FEATURES
- * 8" BACKSPLASH
 - * SWIVELLING SEAT DISKS
 - * HOT SIDE STEM - LEFT HAND
 - * COLD SIDE STEM - RIGHT HAND
 - * STAINLESS STEEL SEATS
 - * STAINLESS STEEL SEAT SCREWS
 - * STAINLESS STEEL HANDLE SCREWS
 - * CLOSE ELBOWS

RECOMMENDED SETTINGS
 * 110°F AT 80 PSI

SYSTEM LIMITS
 * TEMP: 40°F MIN. TO 140°F MAX.
 * PRESSURE: 200 PSI MAX. STATIC
 * 37 GPM AT 80 PSI

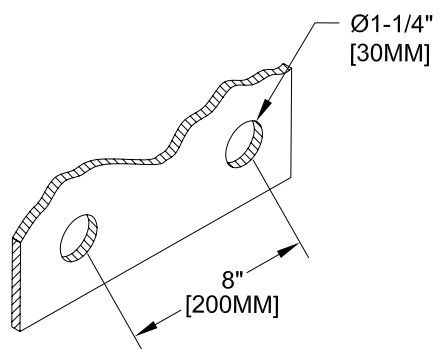
SHIPPING WEIGHT
 * 9.0 LBS

* NSF 61-9 APPROVED & LISTED
www.truesdail.com



MODEL	DIM "A"	DIM "B"	DIM "C"
60100	10" [250MM]	3-5/8" [92MM]	6-5/8" [168MM]
51179	14" [350MM]	4-3/4" [120MM]	7-3/4" [197MM]

ROUGH-IN:



ANSI/A112.18.1-2005

FISHER
 FISHER MANUFACTURING COMPANY
 TOLL FREE: 800-421-6162 - FAX: 800-832-8238
information@fisher-mfg.com - www.fisher-mfg.com