

APPLICATION:

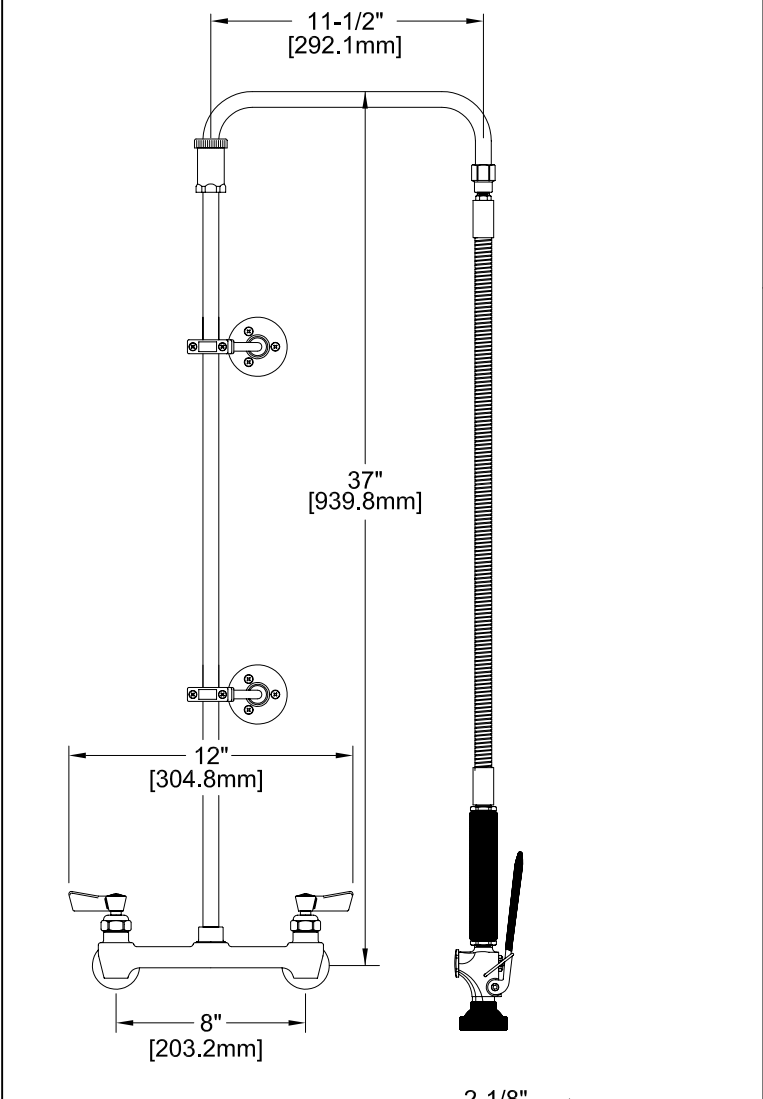
PRODUCT NAME:
 STAINLESS STEEL 8" C/C BACKSPLASH
 SWIVEL STYLE PRERINSE UNIT

JOB NAME:

SPECIAL CONFIGURATION
 ■ 24066 CHECK BASE MODEL AND OPTIONS

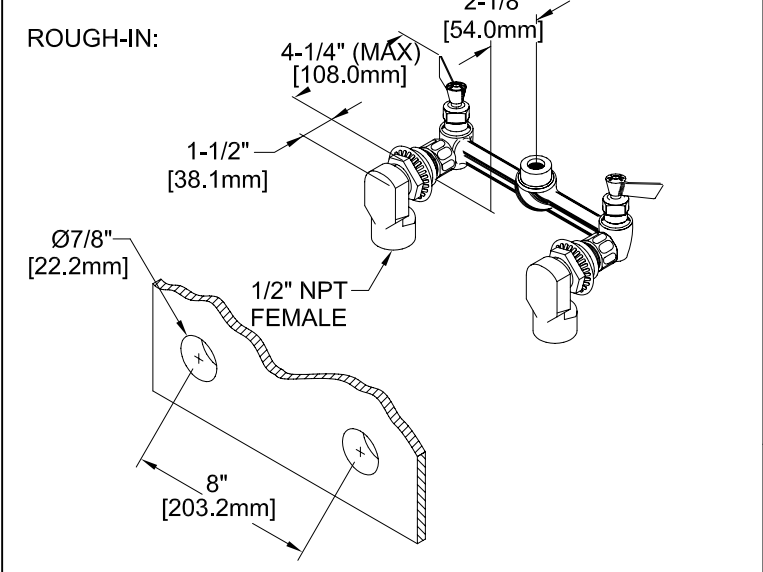
QUANTITY:

ITEM NO.



- OPTIONS OR MODIFICATIONS:
- SUPPLY LINES (24" OR 36") CIRCLE LENGTH
 - ADD-ON FAUCET (6", 8", 10", 12", 14", 16") CIRCLE
 - IN-LINE DUAL CHECK VALVE
 - BRUSH
 - ELBOWS
 - VANDAL RESISTANT KIT
 - HANDLES (CROSS OR WRIST) CIRCLE STYLE
 - OTHER 2916-25 1/2" HOSE

- FEATURES:
- CONTROL VALVE**
- * 8" C/C BACKSPLASH MOUNT
 - * CONCENTRICS
 - * INTERNAL SPRING LOADED CHECK VALVES
 - * SWIVELLING SEAT DISKS
 - * HOT SIDE STEM - RIGHT HAND
 - * COLD SIDE STEM - LEFT HAND
 - * STAINLESS STEEL SEATS
 - * STAINLESS STEEL SEAT SCREWS
 - * STAINLESS STEEL HANDLE SCREWS
- HOSE**
- * 25-1/2" LENGTH
 - * STAINLESS STEEL END FITTINGS
 - * STAINLESS STEEL EXTERNAL JACKET
 - * 3-PLY FIBER REINFORCED INTERNAL RUBBER HOSE
 - * REPAIRABLE IN FIELD WITH SIMPLE TOOLS
- ULTRA SPRAY VALVE**
- * LOWEST ENERGY USER - 1.15 GPM @ 60 PSI
 - * CLEANS FASTER - TEST PROVEN
 - * ENGINEERED TO LAST - NO 'O' RINGS TO LEAK
 - * INTERCHANGEABLE - FITS ALL BRANDS
- WALL BRACKET**
- * ADJUSTS FROM 2" TO 12"



- SYSTEM LIMITS**
- * TEMP: 40°F MIN. TO 140°F MAX. STATIC
 - * PRESSURE 200 PSI MAX. STATIC
 - * SHIPPING WEIGHT: 15.0 LBS
- * NSF 61-9 APPROVED & LISTED
www.truesdail.com

EPAct 2005 Compliant ANSI/A112.18.1M

FISHER
 FISHER MANUFACTURING COMPANY
 TOLL FREE: 800-421-6162 - FAX: 800-832-8238
information@fisher-mfg.com - www.fisher-mfg.com