

APPLICATION:

PRODUCT NAME: STAINLESS STEEL  
8" C/C BACKSPLASH RINSE FAUCET W/ DJ SPOUT

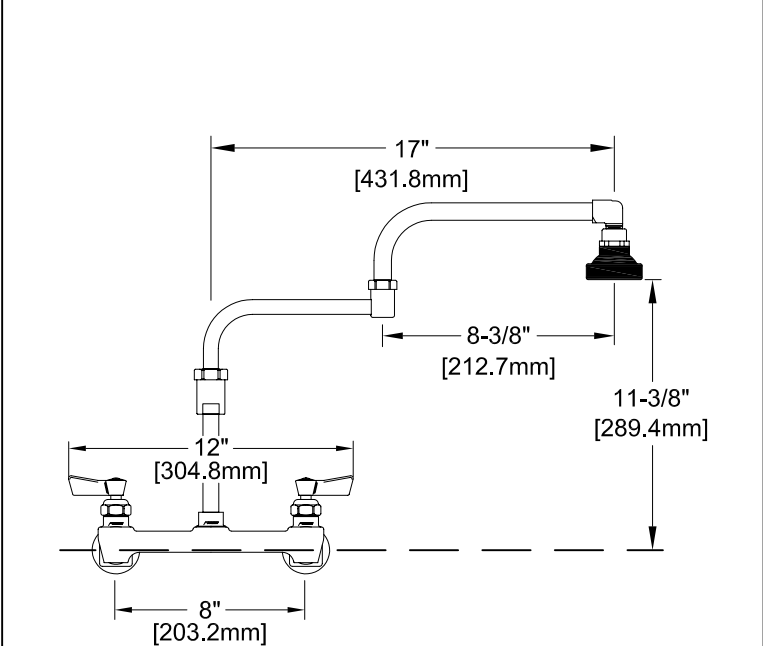
JOB NAME:

SPECIAL CONFIGURATION  
■ 24317 CHECK BASE MODEL AND OPTIONS

QUANTITY:

ITEM NO.

FEATURES:



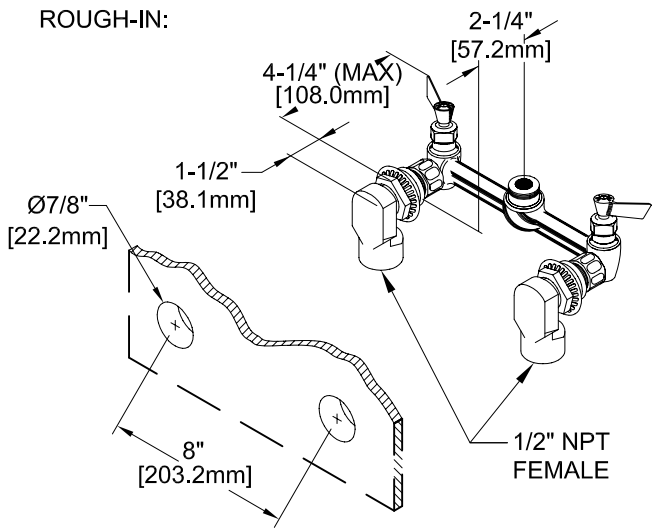
- CONTROL VALVE
- \* 8" C/C BACKSPLASH
- \* INTERNAL SPRING LOADED CHECK VALVE
- \* SWIVELLING SEAT DISKS
- \* HOT SIDE STEM - RIGHT HAND
- \* COLD SIDE STEM - LEFT HAND
- \* STAINLESS STEEL SEATS
- \* STAINLESS STEEL SEAT SCREWS
- \* STAINLESS STEEL HANDLE SCREWS

NOZZLE  
\* SHOWER SPRAY PATTERN

SYSTEM LIMITS  
\* TEMP: 40°F MIN. TO 140°F MAX.  
\* PRESSURE 200 PSI MAX. STATIC

SHIPPING WEIGHT  
\* 8.0 LBS

ROUGH-IN:



ANSI/A112.18.1M

**FISHER**  
FISHER MANUFACTURING COMPANY  
TOLL FREE: 800-421-6162 - FAX: 800-832-8238  
information@fisher-mfg.com - www.fisher-mfg.com