

APPLICATION:

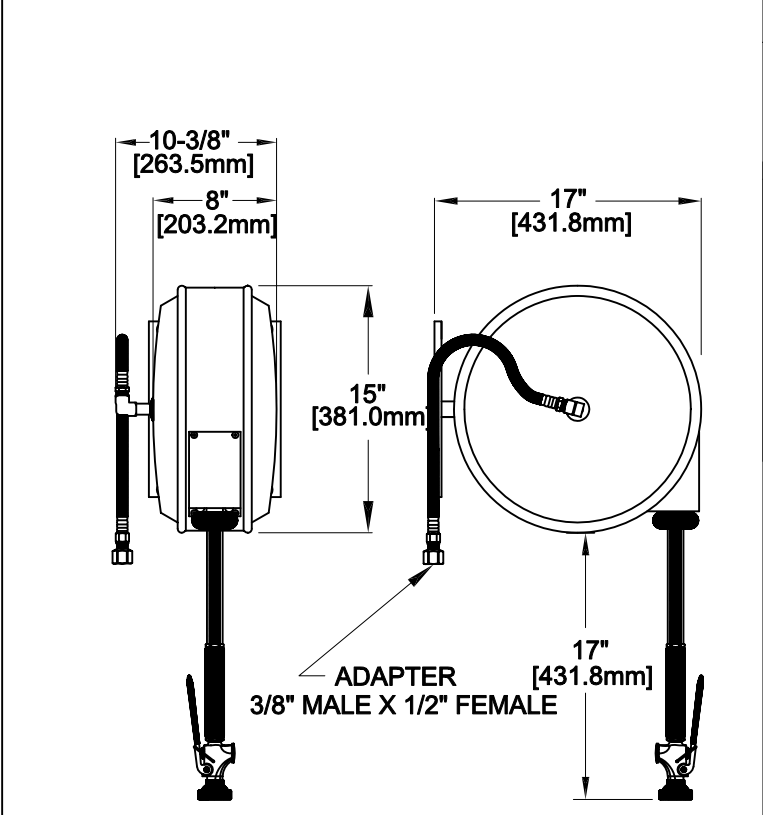
JOB NAME:

QUANTITY: ITEM NO.

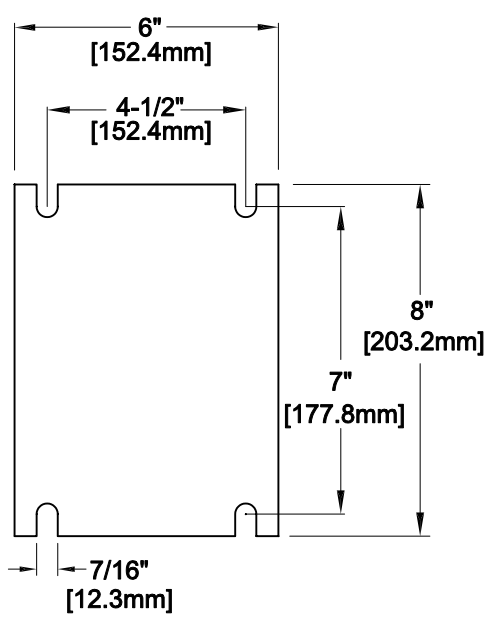
PRODUCT NAME:
CLOSED REEL RINSE WALL MOUNTED WITH SPRAY VALVE

SPECIAL CONFIGURATION
 CHECK BASE MODEL AND OPTIONS

MODEL:
 2985



ROUGH-IN: SEE MOUNTING PLATE BELOW



OPTIONS OR MODIFICATIONS:

BRUSH

OTHER _____

- FEATURES:
- * CLOSED DESIGN
 - * SELF-LOCKING
 - * STAINLESS STEEL COVER
 - * WALL MOUNTED
- HOSE
- * 30' LENGTH REEL HOSE
 - * 3-PLY FIBER REINFORCED
 - * 3/8" OR 1/2" FEMALE NPT INLET
 - * 18" LENGTH INLET HOSE
 - * ADJUSTABLE BALL STOP
- STANDARD PRO SPRAY VALVE
- * SOLID BRASS SHOWER HEAD - NO "O" RINGS TO LEAK
 - * BRONZE HANDLE - NOT PLASTIC - MEANS FULL "ON"
 - * FITS ALL BRANDS
 - * 2.65GPM AT 80 PSI
 - * SHOWER SPRAY PATTERN

- SYSTEM LIMITS
- * TEMP: 40°F MIN. TO 140°F MAX. STATIC
 - * PRESSURE 200 PSI MAX. STATIC

SHIPPING WEIGHT

- * 35.0 LBS