

APPLICATION:

JOB NAME:

QUANTITY: ITEM NO.

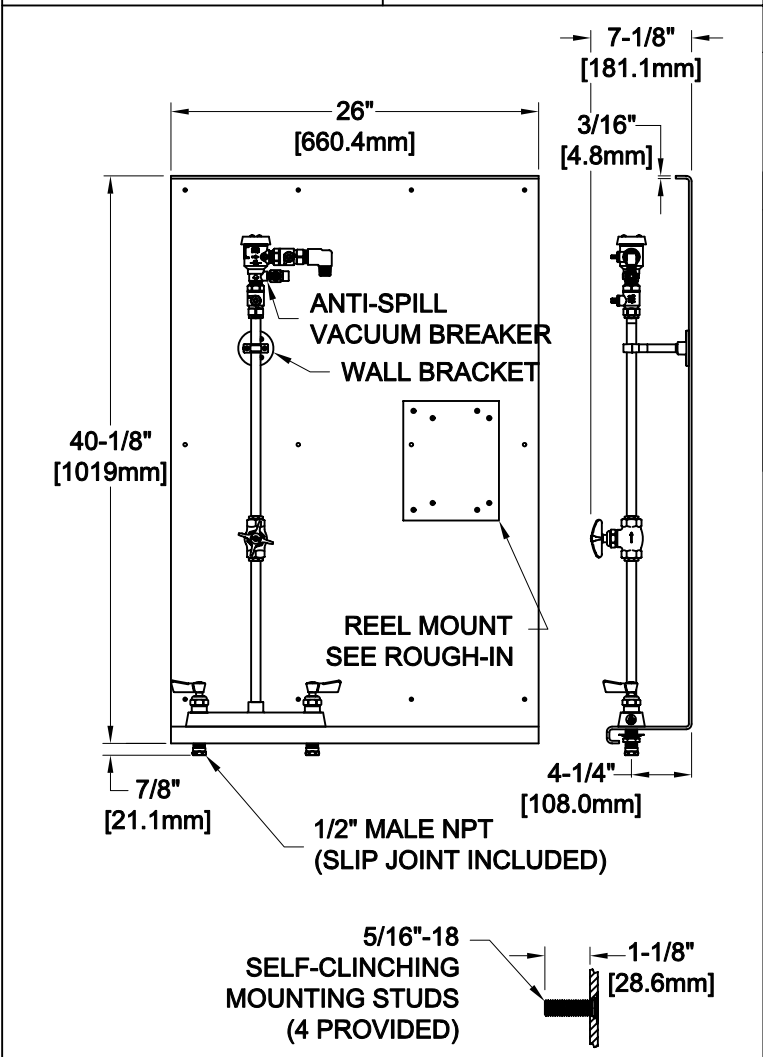
PRODUCT NAME:

REEL RINSE BACK PLATE

SPECIAL CONFIGURATION
CHECK BASE MODEL AND OPTIONS

MODEL:

29688



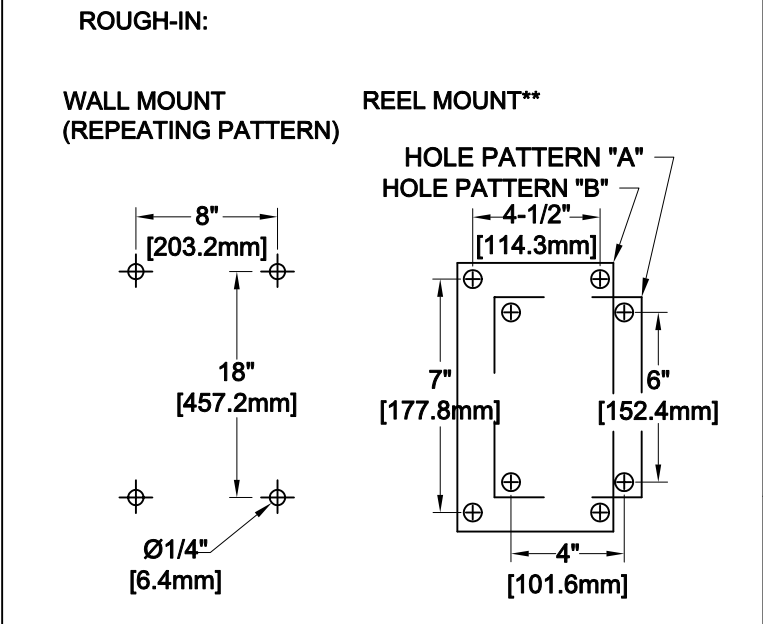
OPTIONS OR MODIFICATIONS:

SUPPLY LINES (24" OR 36") CIRCLE LENGTH

HANDLES (CROSS OR WRIST) CIRCLE STYLE

OTHER _____

- FEATURES:
- MOUNTING PLATE**
- * 3/16" THICK STAINLESS STEEL
 - * MOUNTS FLUSH WITH WALL
 - * 8" C/C MOUNTING SCREWS WITH 1/4" DIAMETER
 - * WILL ACCOMODATE ALL FISHER REELS
 - * WALL BRACKET INSTALLED FOR STRENGTH
- DECK CONTROL VALVE**
- * 8" C/C DECK MOUNTED FAUCET
 - * 1/2" MALE NPT INLETS
 - * INTERNAL SPRING LOADED CHECK VALVES
 - * SWIVELLING SEAT DISKS
 - * HOT SIDE STEM - RIGHT HAND
 - * COLD SIDE STEM - LEFT HAND
 - * STAINLESS STEEL SEATS
 - * STAINLESS STEEL SEAT SCREWS
 - * STAINLESS STEEL HANDLE SCREWS
- RISER CONTROL VALVE**
- * RIGHT HAND SWIVEL STEM WITH CROSS HANDLE
 - * STAINLESS STEEL SEAT
 - * STAINLESS STEEL SEAT SCREW
 - * STAINLESS STEEL HANDLE SCREW
- VACUUM BREAKER**
- * ANTI-SPILL DESIGN
 - * ASSE - 1056 APPROVED



- SYSTEM LIMITS**
- * TEMP: 40°F TO 140°F MAX.
 - * PRESSURE 200 PSI MAX. STATIC
- SHIPPING WEIGHT**
- * 140.0 LBS
- * USE PROVIDED STUDS IN EITHER HOLE PATTERN "A" OR "B":
- * HOLE PATTERN "A" CAN ACCOMODATE THE FOLLOWING REELS: **29599, 29262, 29602, 29610, 29629, 29637, 29645, 29653**
- * HOLE PATTERN "B" CAN ACCOMODATE THE FOLLOWING REELS: **2980, 2985**

ANSI/A112.18.1M

FISHER
FISHER MANUFACTURING COMPANY
TOLL FREE: 800-421-6162 - FAX: 800-832-8238
information@fisher-mfg.com - www.fisher-mfg.com