

APPLICATION:

JOB NAME:

QUANTITY: ITEM NO.

PRODUCT NAME:

PRE-RINSE SPRING STYLE WALL MOUNT WITH WALL BRACKET & ADD-ON FAUCET

SPECIAL CONFIGURATION

CHECK BASE MODEL AND OPTIONS

MODEL:

34355 WITH 6" SWING SPOUT

34363 WITH 8" SWING SPOUT

34371 WITH 10" SWING SPOUT

34398 WITH 12" SWING SPOUT

34401 WITH 14" SWING SPOUT

34428 WITH 16" SWING SPOUT

OPTIONS OR MODIFICATIONS:

SUPPLY LINES (24" OR 36") CIRCLE LENGTH

BACKFLOW PREVENTER

BRUSH

VANDAL RESISTANT KIT

HANDLES (CROSS OR WRIST) CIRCLE STYLE

OTHER _____

FEATURES:

- MAIN CONTROL VALVE**
- * WALL MOUNT
 - * ECCENTRICS ADJUST FROM 7-1/2" TO 8-1/2"
 - * INTERNAL SPRING LOADED CHECK VALVES
 - * SWIVELLING SEAT DISKS
 - * HOT SIDE STEM - RIGHT HAND CHECK
 - * COLD SIDE STEM - LEFT HAND CHECK
 - * STAINLESS STEEL SEATS, SEAT SCREWS AND HANDLE SCREWS

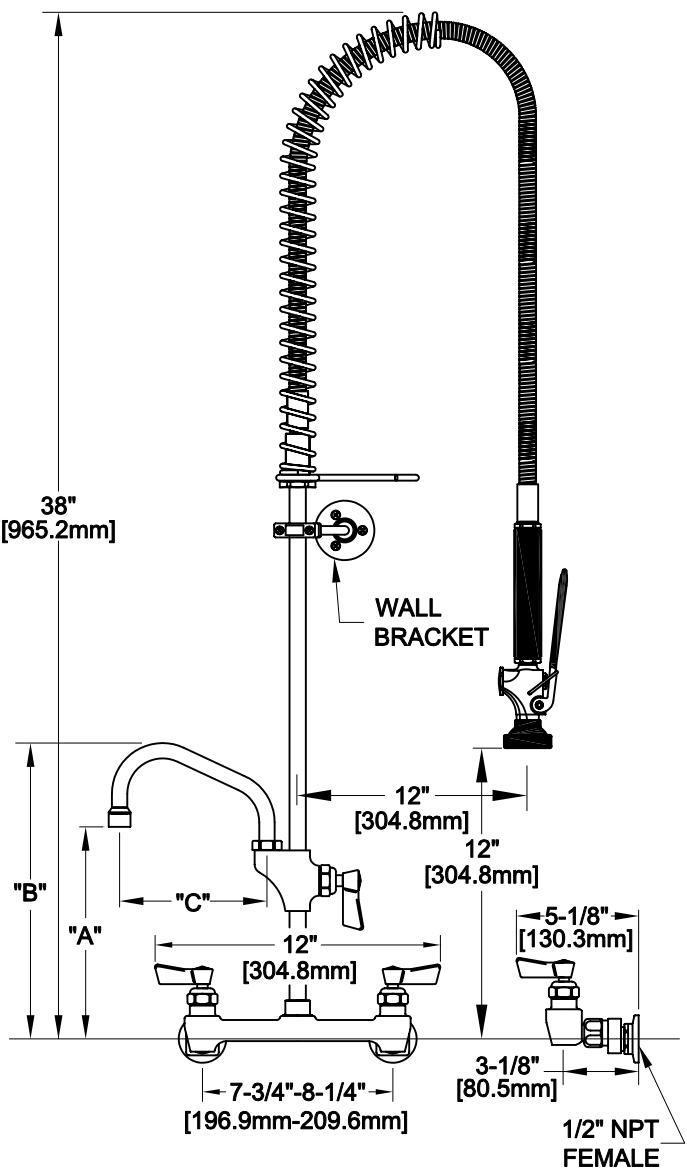
- ADD-ON CONTROL VALVE**
- * STEM - RIGHT HAND SWIVEL
 - * HOT INDEX BUTTON
 - * SWIVELLING SEAT DISKS
 - * STAINLESS STEEL SEATS, SEAT SCREWS AND HANDLE SCREWS.

- HOSE**
- * 36" LENGTH
 - * STAINLESS STEEL END FITTINGS
 - * STAINLESS STEEL EXTERNAL JACKET
 - * 3-PLY FIBER REINFORCED INTERNAL RUBBER HOSE
 - * REPAIRABLE IN FIELD WITH SIMPLE TOOLS

- ULTRA SPRAY VALVE**
- * LOWEST ENERGY USER - 1.15 GPM @ 60 PSI
 - * CLEANS FASTER - TEST PROVEN
 - * ENGINEERED TO LAST - NO 'O' RINGS TO LEAK
 - * INTERCHANGEABLE - FITS ALL BRANDS

- WALL BRACKET**
- * ADJUSTS FROM 2" TO 12"

- SYSTEM LIMITS**
- * TEMP: 40°F MIN. TO 140°F MAX. STATIC
 - * PRESSURE 200 PSI MAX. STATIC
 - * SHIPPING WEIGHT: 15.0 LBS



ROUGH-IN	MODEL	DIM "A"	DIM "B"	DIM "C"
<p>1/2" NPT MALE*</p> <p>8"±1/4" [203.2±6.4mm]</p> <p>*NIPPLES NOT INCLUDED</p>	34355	8-3/4" [221.3mm]	12-3/8" [313.3mm]	6" [152.4mm]
	34363	9" [227.6mm]	12-7/8" [326.0mm]	8" [203.2mm]
	34371	9-5/8" [243.5mm]	13-3/8" [340.3mm]	10" [254.0mm]
	34398	10-1/4" [259.4mm]	13-7/8" [351.4mm]	12" [304.8mm]
	34401	10-5/8" [275.0mm]	14-3/4" [373.7mm]	14" [355.6mm]
	34428	11-1/2" [292.1mm]	15-3/8" [389.5mm]	16" [406.4mm]

EPAct 2005 Compliant



ANSI/A112.18.1M

FISHER

FISHER MANUFACTURING COMPANY

TOLL FREE: 800-421-6162 - FAX: 800-832-8238

information@fisher-mfg.com - www.fisher-mfg.com