

APPLICATION:

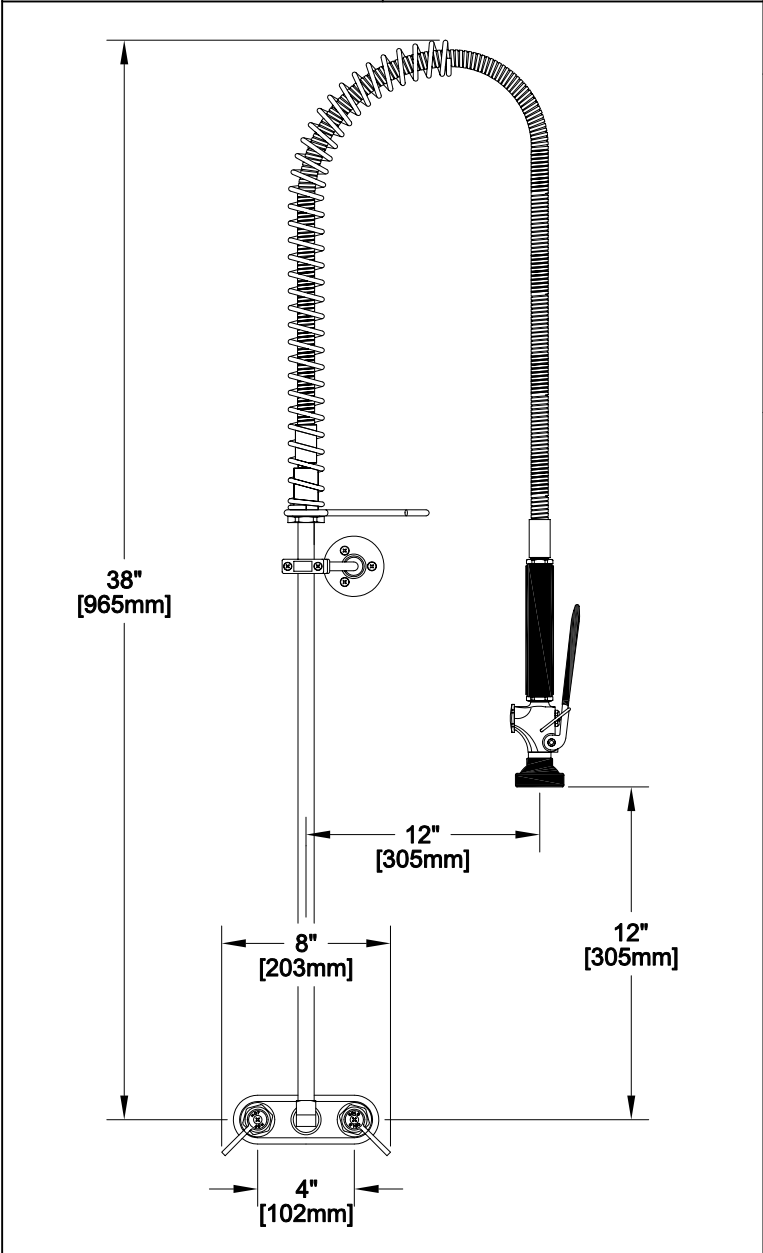
JOB NAME:

QUANTITY: _____ **ITEM NO.:** _____

PRODUCT NAME:
**PRE-RINSE SPRING STYLE
 4" C/C BACKSPASH MOUNT**

_____ **SPECIAL CONFIGURATION
 CHECK BASE MODEL AND OPTIONS**

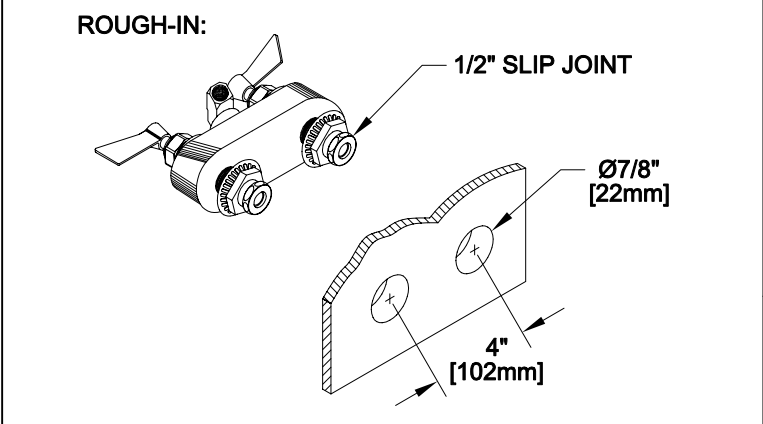
MODEL:
 2610 **ULTRA SPRAY VALVE, NO WALL BRACKET**
 2610-WB **ULTRA SPRAY VALVE, WALL BRACKET**



OPTIONS OR MODIFICATIONS:

SUPPLY LINES (24" OR 36") CIRCLE LENGTH
 ADD-ON FAUCET (6", 8", 10", 12", 14", 16") CIRCLE
 IN-LINE DUAL CHECK VALVE
 BRUSH
 ELBOWS
 VANDAL RESISTANT KIT
 HANDLES (CROSS OR WRIST) CIRCLE STYLE
 OTHER _____

- FEATURES**
- CONTROL VALVE**
 * 4" C/C BACKSPASH MOUNT
 * INTERNAL SPRING LOADED CHECK VALVES
 * SWIVELLING SEAT DISKS
 * HOT SIDE STEM - RIGHT HAND
 * COLD SIDE STEM - LEFT HAND
 * STAINLESS STEEL SEATS
 * STAINLESS STEEL SEAT SCREWS
 * STAINLESS STEEL HANDLE SCREWS
- HOSE**
 * 36" LENGTH
 * STAINLESS STEEL END FITTINGS
 * STAINLESS STEEL EXTERNAL JACKET
 * 3 PLY FIBER REINFORCED INTERNAL RUBBER HOSE
 * REPAIRABLE IN FIELD WITH SIMPLE TOOLS
- ULTRA SPRAY VALVE**
 * LOWEST ENERGY USER - 1.15 GPM @ 60 PSI
 * CLEANS FASTER - TEST PROVEN
 * ENGINEERED TO LAST - NO 'O' RINGS TO LEAK
 * INTERCHANGEABLE - FITS ALL BRANDS
- WALL BRACKET**
 * ADJUSTS FROM 2" TO 12"
- SYSTEM LIMITS**
 * TEMP: 40°F MIN. TO 140°F MAX.
 * PRESSURE: 200 PSI MAX. STATIC
- SHIPPING WEIGHT**
 * 12.0 LBS



FISHER
 FISHER MANUFACTURING COMPANY
 TOLL FREE: 800-421-6162 - FAX: 800-832-8238
 information@fisher-mfg.com - www.fisher-mfg.com