

APPLICATION:

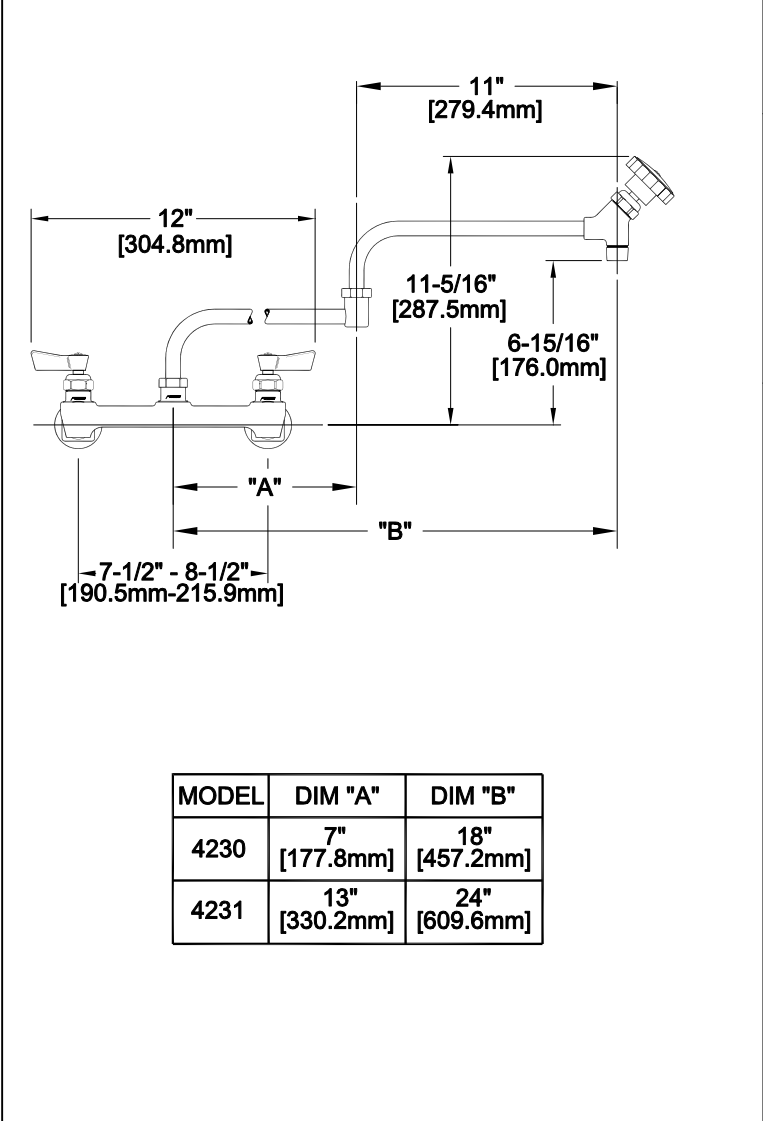
JOB NAME:

QUANTITY: _____ **ITEM NO.:** _____

PRODUCT NAME:

ADJ. WALL POT FILLER W/DJ SPOUT

_____ **SPECIAL CONFIGURATION**
CHECK BASE MODEL AND OPTIONS



MODEL:

4230 W/ 18" DJ SWING SPOUT

4231 W/ 24" DJ SWING SPOUT

OPTIONS OR MODIFICATIONS:

SUPPLY LINES (24" OR 36") CIRCLE LENGTH

NIPPLES

ELBOWS

HANDLES (CROSS OR WRIST) CIRCLE STYLE

VANDAL RESISTANT KIT

OTHER _____

- FEATURES:**
- * ECCENTRICS ADJUST FROM 7-1/2" TO 8-1/2"
 - * INTERNAL SPRING LOADED CHECK VALVES
 - * SWIVELLING SEAT DISKS
 - * HOT SIDE STEM - RIGHT HAND, COLD - LEFT HAND
 - * SPOUT STEM - RIGHT HAND
 - * STAINLESS STEEL SEAT SCREWS
 - * STAINLESS STEEL HANDLE SCREWS

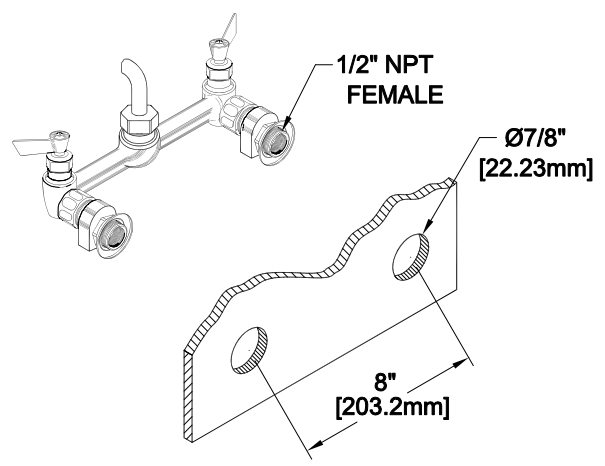
- SYSTEM LIMITS**
- * TEMP: 40°F MIN. TO 140°F MAX.
 - * PRESSURE 200 PSI MAX. STATIC
 - * 5.00 GPM @ 80 PSI

SHIPPING WEIGHT

* 6.0 LBS

MODEL	DIM "A"	DIM "B"
4230	7" [177.8mm]	18" [457.2mm]
4231	13" [330.2mm]	24" [609.6mm]

ROUGH-IN:



ANSI/A112.18.1M

FISHER
FISHER MANUFACTURING COMPANY
TOLL FREE: 800-421-6162 - FAX: 800-832-8238
information@fisher-mfg.com - www.fisher-mfg.com