

APPLICATION:  
 JOB NAME:  
 QUANTITY:                      ITEM NO.

PRODUCT NAME:  
 SDDC POT FILLER HOSE STYLE  
 WITH VACUUM BREAKER  
 SPECIAL CONFIGURATION  
 CHECK BASE MODEL AND OPTIONS

MODEL:  
 2140      WITH WALL HOOK

- OPTIONS OR MODIFICATIONS:
- SUPPLY LINES (24" OR 36") CIRCLE LENGTH
  - ADD-ON FAUCET (6", 8", 10", 12", 14", 16") CIRCLE
  - IN-LINE DUAL CHECK VALVE
  - PIPE HOOK
  - HANDLES (CROSS OR WRIST) CIRCLE STYLE
  - VANDAL RESISTANT KIT
  - OTHER \_\_\_\_\_

**FEATURES**

- CONTROL VALVE**
- \* SINGLE DECK DUAL CONTROL
  - \* INTERNAL SPRING LOADED CHECK VALVES
  - \* HOT SIDE STEM - RIGHT HAND
  - \* COLD SIDE STEM - LEFT HAND
  - \* SWIVELLING SEAT DISKS
  - \* STAINLESS STEEL SEATS
  - \* STAINLESS STEEL SEAT SCREWS
  - \* STAINLESS STEEL HANDLE SCREWS
  - \* FLEXIBLE INLET HOSES

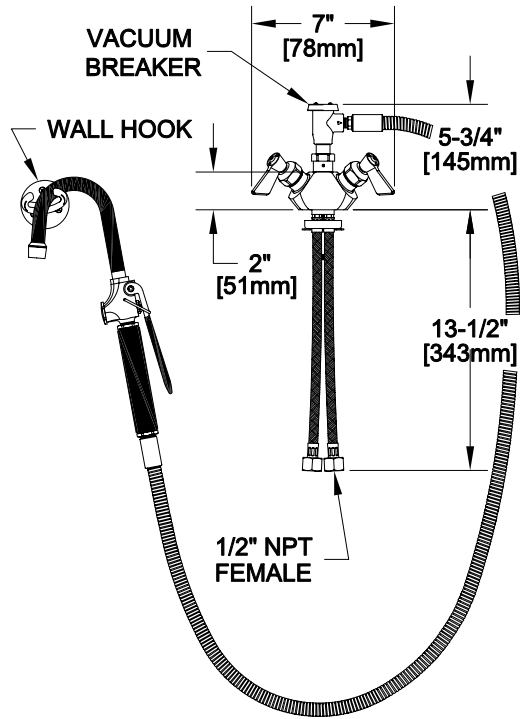
- HOSE**
- \* 60" LENGTH
  - \* STAINLESS STEEL END FITTINGS
  - \* STAINLESS STEEL EXTERNAL JACKET
  - \* USDA APPROVED FOODGRADE INTERNAL RUBBER HOSE

- POT FILLER VALVE**
- \* NO-MARRING TUBE
  - \* AERATED STREAM
  - \* 5.0 GPM AT 80 PSI

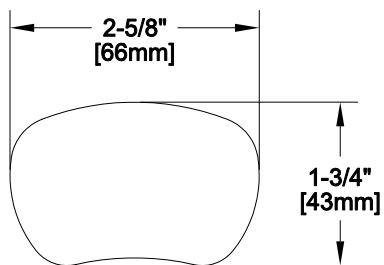
- SWIVEL ELBOW**
- \* 360° TURNING RADIUS
  - \* ATMOSPHERIC VACUUM BREAKER

- SYSTEM LIMITS**
- \* TEMP: 40°F MIN. TO 140°F MAX.
  - \* PRESSURE: 200 PSI MAX. STATIC

- SHIPPING WEIGHT**
- \* 9.0 LBS



**FOOTPRINT:**



**ROUGH-IN:**

