

APPLICATION:

JOB NAME:

QUANTITY: ITEM NO.

PRODUCT NAME:

HIGH VELOCITY JET SPRAY VALVE

SPECIAL CONFIGURATION
CHECK BASE MODEL AND OPTIONS

MODEL:

10863

OPTIONS OR MODIFICATIONS:

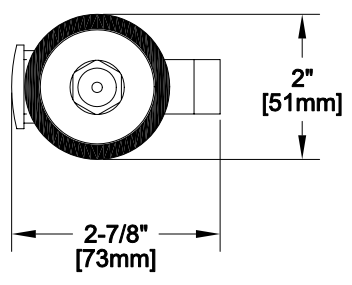
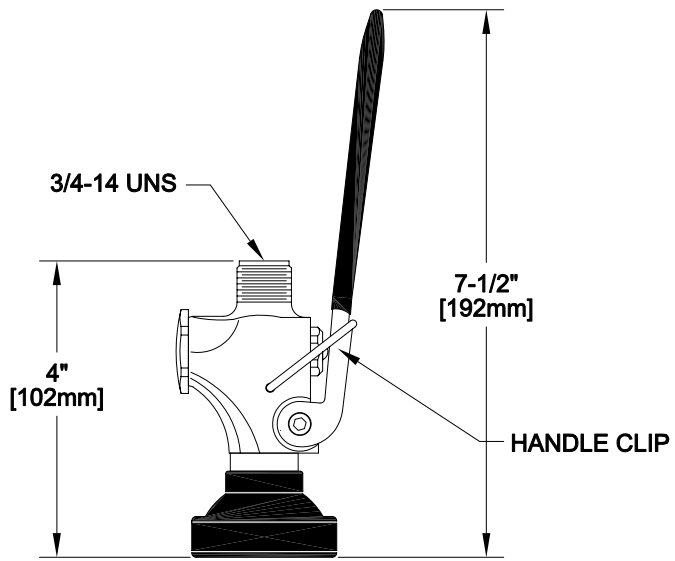
OTHER _____

FEATURES

- SPRAY VALVE**
- * SPRAY NOZZLE THREADED INTO BODY
 - * BRONZE HANDLE - NOT PLASTIC - MEANS FULL "ON"
 - * BLACK DISH GUARD BUMPER
 - * BUILT-IN SPRAY HANDLE CLIP
 - * HIGH VELOCITY JET SPRAY PATTERN
 - * FITS ALL BRANDS

- SYSTEM LIMITS**
- * TEMP: 40°F MIN. TO 140°F MAX.
 - * PRESSURE: 200 PSI MAX. STATIC
 - * 2.65 GPM AT 80 PSI

- SHIPPING WEIGHT**
- * 1.25 LBS



FISHER

FISHER MANUFACTURING COMPANY
TOLL FREE: 800-421-6162 - FAX: 800-832-8238
information@fisher-mfg.com - www.fisher-mfg.com