

APPLICATION:

JOB NAME:

PRODUCT NAME:

8" C/C DECK FAUCET

SPECIAL CONFIGURATION
CHECK BASE MODEL AND OPTIONS

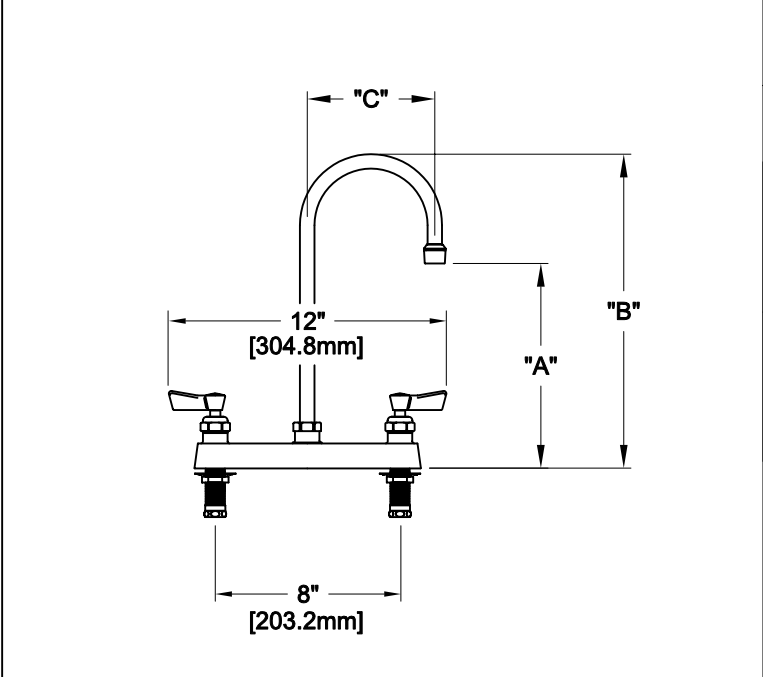
QUANTITY:

ITEM NO.

MODEL:

3315 W/ 12" SWIVEL GOOSENECK SPOUT

1821 W/ 6" SWIVEL GOOSENECK SPOUT



OPTIONS OR MODIFICATIONS:

SUPPLY LINES (24" OR 36") CIRCLE LENGTH

VANDAL RESISTANT KIT

HANDLES (CROSS OR WRIST) CIRCLE STYLE

OTHER _____

FEATURES:

- * 8" C/C DECK MOUNT
- * SWIVELING SEAT DISKS
- * HOT SIDE STEM - RIGHT HAND
- * COLD SIDE STEM - LEFT HAND
- * STAINLESS STEEL SEATS
- * STAINLESS STEEL SEAT SCREWS
- * STAINLESS STEEL HANDLE SCREWS
- * 1/2" SLIP JOINT

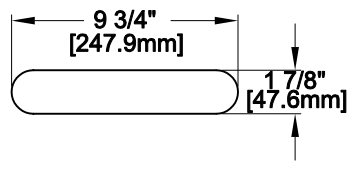
SYSTEM LIMITS

- * TEMP: 40°F MIN. TO 140°F MAX.
- * PRESSURE 200 PSI MAX. STATIC
- * 2.20 GPM AT 800 PSI

SHIPPING WEIGHT

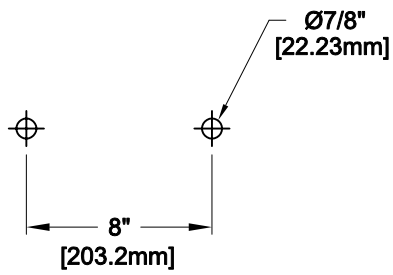
- * 5.5 LBS

FOOTPRINT:



MODEL	DIM "A"	DIM "B"	DIM "C"
3315	8-1/2" [215.9mm]	12-1/2" [317.5mm]	5-1/2" [139.7mm]
1821	4-3/4" [120.7mm]	8-5/16" [211.1mm]	3-1/2" [88.90mm]

ROUGH-IN:



ANSI/A112.18.1M

FISHER MANUFACTURING COMPANY

TOLL FREE: 800-421-6162 - FAX: 800-832-8238

information@fisher-mfg.com - www.fisher-mfg.com