

APPLICATION:

JOB NAME:

QUANTITY:                      ITEM NO.

PRODUCT NAME:

**8" C/C DECK MOUNT 3/4" FAUCET**

SPECIAL CONFIGURATION  
CHECK BASE MODEL AND OPTIONS

MODEL:

5312 W/10" SWING SPOUT

5314 W/14" SWING SPOUT

OPTIONS OR MODIFICATIONS:

VANDAL RESISTANT KIT

HANDLES (CROSS OR WRIST) CIRCLE STYLE

OTHER \_\_\_\_\_

FEATURES:

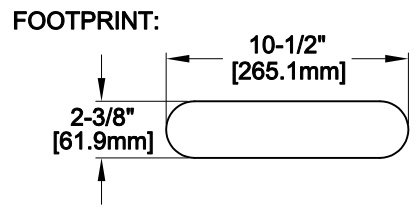
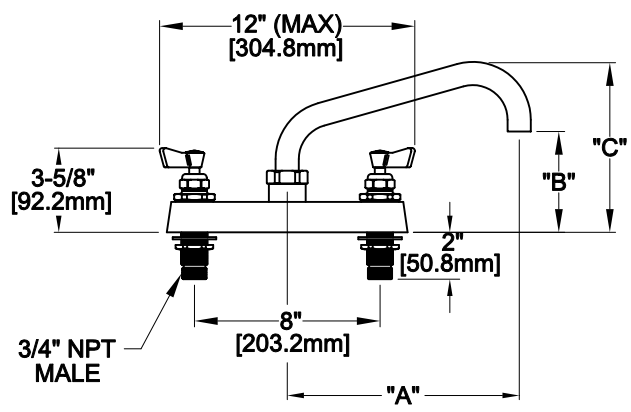
- \* 8" C/C BACKSPASH FAUCET
- \* SWIVELING SEAT DISKS
- \* HOT SIDE STEM - RIGHT HAND
- \* COLD SIDE STEM - LEFT HAND
- \* STAINLESS STEEL SEATS
- \* STAINLESS STEEL SEAT SCREWS
- \* STAINLESS STEEL HANDLE SCREWS

SYSTEM LIMITS

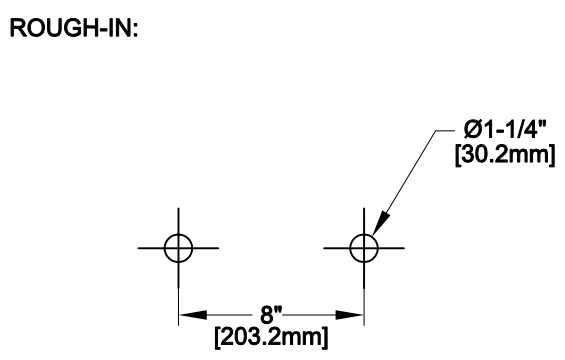
- \* TEMP: 40°F MIN. TO 140°F MAX.
- \* PRESSURE 200 PSI MAX. STATIC
- \* 37 GPM AT 80 PSI

SHIPPING WEIGHT

- \* 8.25 LBS



MODEL	DIM "A"	DIM "B"	DIM "C"
5312	10" [254.0mm]	4-1/4" [108.0mm]	7-3/8" [187.3mm]
5314	14" [355.6mm]	5-1/2" [140.0mm]	8-1/2" [215.2mm]



**FISHER**  
FISHER MANUFACTURING COMPANY  
TOLL FREE: 800-421-6162 - FAX: 800-832-8238  
information@fisher-mfg.com - www.fisher-mfg.com