

APPLICATION:

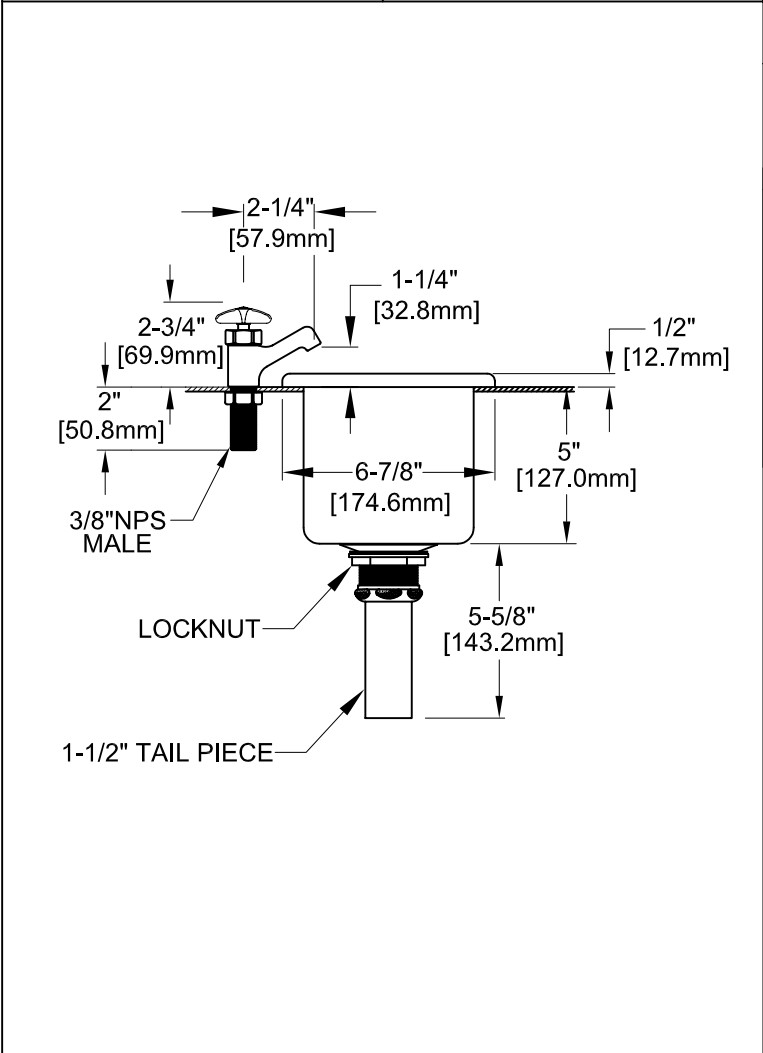
JOB NAME:

QUANTITY:                      ITEM NO.

PRODUCT NAME:  
**DIPPERWELL FAUCET & SINK ASSEMBLY**

\_\_\_\_\_ SPECIAL CONFIGURATION  
CHECK BASE MODEL AND OPTIONS

MODEL:  
 3041



OPTIONS OR MODIFICATIONS:  
 OTHER \_\_\_\_\_

FEATURES:

DIPPERWELL FAUCET  
\* STAINLESS STEEL SEAT

DIPPERWELL SINK  
\* STAINLESS STEEL PAN  
\* REMOVABLE INNER SHELL

SYSTEM LIMITS  
\* TEMP: 40°F MIN. TO 140°F MAX.  
\* PRESSURE 200 PSI MAX. STATIC

SHIPPING WEIGHT  
\* 3.5 LBS

