

**APPLICATION:**

**JOB NAME:**

**QUANTITY:** \_\_\_\_\_ **ITEM NO.:** \_\_\_\_\_

**PRODUCT NAME:**  
**ATMOSPHERIC VACUUM BREAKER**

\_\_\_\_\_ **SPECIAL CONFIGURATION**  
**CHECK BASE MODEL AND OPTIONS**

**MODEL:**  
 **3990**

**OPTIONS OR MODIFICATIONS:**

**SUPPLY LINES (24" OR 36") CIRCLE LENGTH**

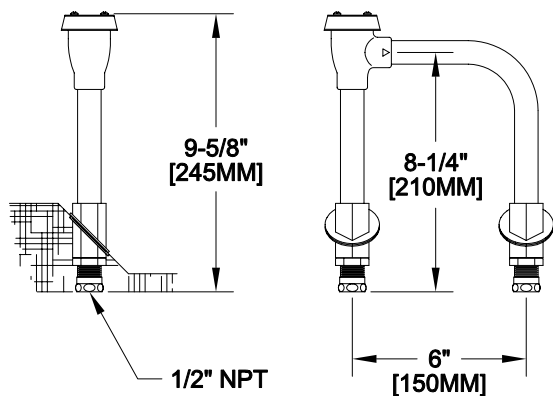
**OTHER** \_\_\_\_\_

**FEATURES**

- \* **ATMOSPHERIC VACUUM BREAKER**
- \* **LEDGE MOUNT**

- SYSTEM LIMITS**
- \* **TEMP: 40°F MIN. TO 140°F MAX.**
  - \* **PRESSURE: 200 PSI MAX. STATIC**

- SHIPPING WEIGHT**
- \* **3.5 LBS**



**ROUGH-IN:**

