



Specifications

F.O.B Sedalia, Missouri 65301



EP-3-CBPG

OPTIONS:

- 14 gauge tops
- Adaptor plates
- Veneered panels
- Powder coat paint colors
- Foodshields
- Trayslides

AGENCY LISTINGS:



DUKE MANUFACTURING CO.
 2305 N. Broadway
 St. Louis, MO 63102

800.735.3853 Toll Free
314.231.5074 Fax
www.dukemfg.com

Approval Stamp(s):

PRODUCT INFORMATION:

PROJECT: _____
 ITEM: _____
 QUANTITY: _____

MODEL:

Thurmaduke® Steamtables Hot Food Units - Electric - Standard

- EP-3-CBPG/EP-3-CBSS 3 top openings
- EP-4-CBPG/EP-4-CBSS 4 top openings
- EP-5-CBPG/EP-5-CBSS 5 top openings
- EP-6-CBPG/EP-6-CBSS 6 top openings

TOP:

- 16 gauge, 300 Series stainless steel
- Top openings die - stamped. 12" x 20"
- Stainless steel carving surface - drop brackets

HEAT COMPARTMENTS:

- Sealed wells with drains copper manifolds and brass master valve
- 750 watt element at 120, 208, or 240 Volt / single or 3-phase
- Robertshaw thermostat w/indicator light per section
- Master toggle switch w/indicator light - entire unit
- 6' heavy duty cord and plug
- 12" x 20" stainless steel liner, 6-1/2 deep

BODY AND INTERIOR SHELF:

- 300 Series stainless steel or paint grip steel
- Stainless or paint grip steel sliding doors
- End panels
- 5" diameter casters, two with locks
- 2-1/2" wide heavy-duty polyvinyl bumper around base of unit
- 14 gauge stainless steel channel frame for bumper
- Stainless steel control panel
- Wire knob guards

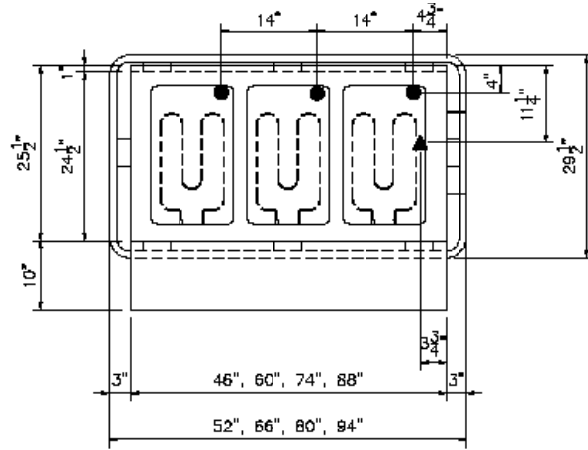
SHORT FORM SPECIFICATIONS:

Thurmaduke® Steamtables - Hot Food - Electric - Portable. Top shall be 16ga, 300 series Stainless Steel flanged down edges, flush at ends, 20ga s/s body, under shelf and doors with 11-7/8" clearance, s/s sealed well pan openings to be 12" x 20" x 6-1/2" deep, die-stamped, drains, copper manifolds, one valve, Robertshaw thermostats, unit wired to master toggle w/ indicator, bumper, pusher bar, 5" dia. swivel casters - two with locks, 6' cord & plug

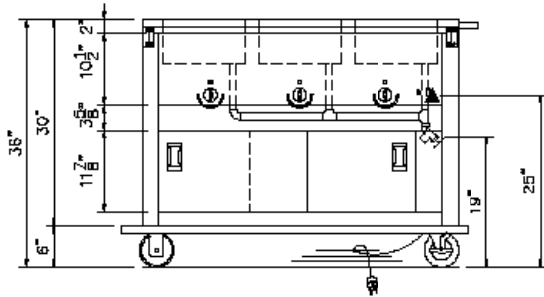


MODEL:
Thurmaduke® Steamtables
Hot Food Units - Electric - Portable

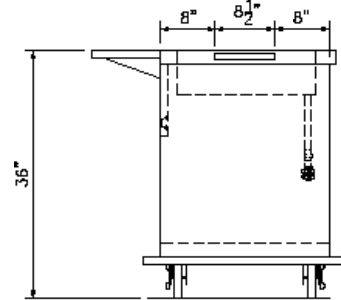
- EP-3-CBPG/EP-3-CBSS 3 top openings
- EP-4-CBPG/EP-4-CBSS 4 top openings
- EP-5-CBPG/EP-5-CBSS 5 top openings
- EP-6-CBPG/EP-6-CBSS 6 top openings



TOP VIEW



FRONT VIEW



RIGHT SIDE VIEW

ON

DIMENSIONS:

FREIGHT CLASS: 150

Model		Length		Width		Height		Top Openings	Cube ft. Crated	Weight	
Enameled	Stainless	in.	cm	in.	cm	in.	cm			lbs.	kg
EP-3-CBPG	EP-3-CBSS	46	116.8	35-1/2	90.2	36	91.4	3	39.6	345	156.8
EP-4-CBPG	EP-4-CBSS	60	152.4	35-1/2	90.2	36	91.4	4	51.2	420	190.9
EP-5-CBPG	EP-5-CBSS	74	188.0	35-1/2	90.2	36	91.4	5	62.3	505	229.6
EP-6-CBPG	EP-6-CBSS	88	223.5	35-1/2	90.2	36	91.4	6	74.3	605	275.0

ELECTRICAL SPECIFICATIONS:

Model	120 Volt - 750 watt elements			208 Volt - 750 watt elements			240 Volt - 750 watt elements		
	Watts	Amps	NEMA	Watts	Amps	NEMA	Watts	Amps	NEMA
EP-3-CBPG/SS	2250	18.8	L5-30	2250	10.8	6-20	2250	9.4	6-20
EP-4-CBPG/SS	3000	25.0	5-50	3000	14.4	6-20	3000	12.5	6-20
EP-5-CBPG/SS	3750	31.3	5-50	3750	18.0	L6-30	3750	15.9	6-20
EP-6-CBPG/SS	N/A			4500	21.6	L6-30	4500	18.8	L6-30



DUKE MANUFACTURING CO.

2305 N. Broadway
 St. Louis, MO 63102

800.735.3853 Toll Free
 800.231.1130 In Missouri
 314.231.5074 Fax
 www.dukemfg.com

Specification subject to change