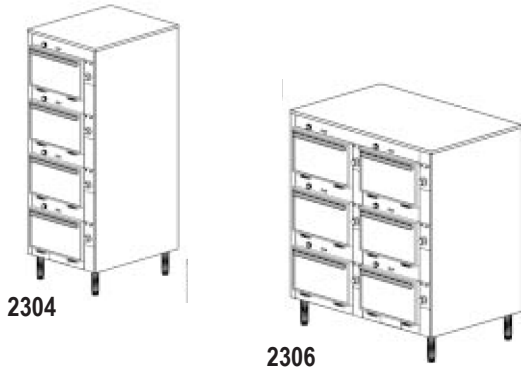




Specifications

F.O.B Sedalia, Missouri 65301



OPTIONS:

- Enclosed base - 6" high
- Cord and plug - 8'
- Casters - 5" polyurethane, 2 swivel w/brakes 2 rigid
- Push bar
- Bumpers - stainless steel
- Door Panels - laminated plastic
- Additional pair 3" angle slides
- Door locks
- 440-480V Circuit
- Celsius thermometer in lieu of Fahrenheit
- 208V/1Ph; 208V/3Ph; 240V/1 PH; 240/3PH

AGENCY LISTING:



DUKE MANUFACTURING CO.
2305 N. Broadway
St. Louis, MO 63102

800.735.3853 Toll Free
314.231.5074 Fax
www.dukemfg.com

Approval Stamp(s):

PRODUCT INFORMATION:

PROJECT: _____
 ITEM: _____
 QUANTITY: _____

MODEL:

Thermotainer Food Holding Cabinets - "A" Series 9"H x 14"W x 23-1/2" D Compartments

- 2304** Reach-In 1 thermostat per compartment , w/ legs
- 2304P** Pass-Thru 1 thermostat per compartment , w/ legs
- 2306** Reach-In 1 thermostat per compartment , w/ legs
- 2306P** Pass-Thru 1 thermostat per compartment , w/ legs

BODY:

- Heavy gauge stainless steel, all panels except bottom
- Shell welded to interior
- Die-stamped compartment openings

DOORS:

- Stainless steel, die-stamped, embossed front
- Ribbed Interior
- Reinforced for mounting hardware
- Insulated with fiberglass
- Spring hinges die-stamped, with built-in-stop externally adjustable, completely concealed

COMPARTMENT:

- Heavy gauge stainless steel
- Rounded corners
- Stainless steel studs for angle slides at 3 levels
- (2) removable, adjustable, stainless steel, 3" angled slide pairs
- Removable liner for inspection and maintenance

ELECTRICAL CONTROLS:

- Recessed thermostat w/built-in On-Off switch
- Heat range 100° - 300° and dial thermometer
- Pilot lights
- Recessed connection box
- Removable access panel

DAMPERS:

- 2-position sliding type
- Controlled by push buttons
- Compartments individually controlled

INSULATION:

- Body fully insulated with 1-1/2" fiberglass

HEATING ELEMENTS:

- Sheath type strip heaters, 120 Volt, 1 Phase
- Removable compartment for ease of access to heating elements.

LEGS:

- Stainless steel die-stamped adjustable - 6"

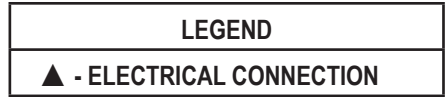
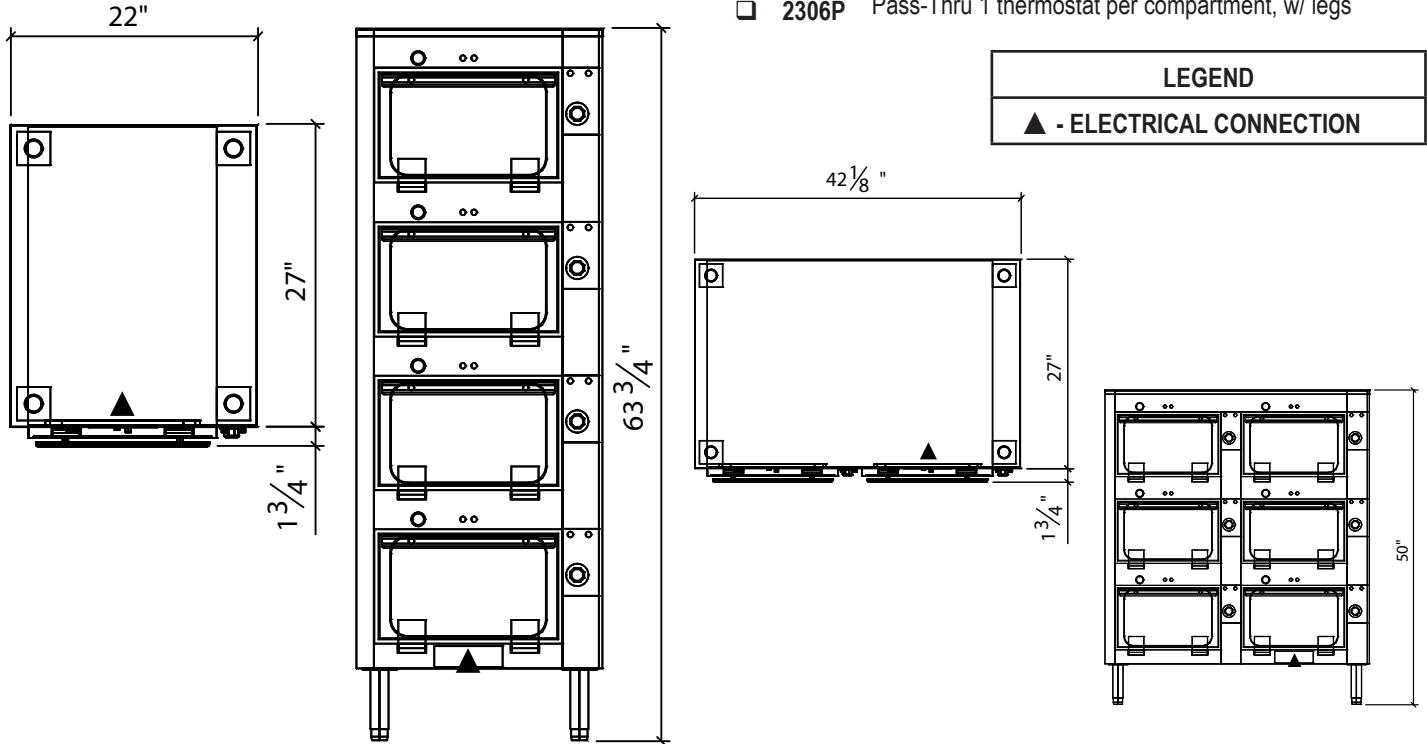
SHORT FORM SPECIFICATIONS:

Duke Thermotainers Food Holding Cabinets. Models 2304/2304P constructed with four (4) compartments. Models 2306/2306P to have six (6) compartments. Compartments 9"H x 14"W x 23-1/2"D. Each compartment to have two (2) pairs of removable stainless steel slides. One thermostat per compartment. 100o - 300oF heat range with dial thermometer and 6" high stainless legs. Built-in installation - allow 1/4" tolerance greater than body width.

Thermotainer®

THERMOTAINER FOOD HOLDING CABINETS - "A" SERIES 9"H x 14"W x 23-1/2"D COMPARTMENTS

- 2304 Reach-In 1 thermostat per compartment, w/ legs
- 2304P Pass-Thru 1 thermostat per compartment, w/ legs
- 2306 Reach-In 1 thermostat per compartment, w/ legs
- 2306P Pass-Thru 1 thermostat per compartment, w/ legs



DIMENSIONS:

Freight Class: 100

Model	Width		Depth		Height		omp. Depth		Cube ft. Crated	Weight	
	in.	cm.	in.	cm.	in.	cm.	in.	cm.		lbs.	kg.
2304	22	55.9	28-3/4	73.0	63-3/4	161.9	23-1/2	59.7	38.1	500	227.3
2306P	22	55.9	30-1/2	77.5	63-3/4	161.9	25-1/2	64.8	40.1	500	227.3
2306	42-1/8	107.2	28-3/4	73.0	50	127.0	23-1/2	59.7	52.9	650	295.5
2306P	42-1/8	107.2	30-1/2	77.5	50	127.0	25-1/2	64.8	55.7	650	295.5

ELECTRICAL SPECIFICATIONS: (Consult factory for 3-phase electrical requirements and other options.)

Model	Connected Load
2304	3000 watts
2304P	3000 watts
2306	4500 watts
2306P	4500 watts

	2204/2204P	2206/2206P
Capacity w/standard slides	(12) 12" x 20" x 2" pans or (8) 12" x 20" x 4" pans or (4) 12" x 20" x 8" pans	(18) 12" x 20" x 2" pans or (12) 12" x 20" x 4" pans or (6) 12" x 20" x 8" pans

- 2304 Reach In - hinged doors on front only
- 2304P Pass Thru - hinged doors on front & back for pass-thru service
- 2306 Reach In - hinged doors on front only
- 2306P Pass Thru - hinged doors on front & back for pass-thru service

DUKE MANUFACTURING CO.

2305 N. Broadway
St. Louis, MO 63102

800.735.3853 Toll Free
800.231.1130 In Missouri
314.231.5074 Fax
www.dukemfg.com

