



Specifications

F.O.B Sedalia, Missouri 65301



2302



2303

OPTIONS:

- Enclosed base - 6" high
- Cord and plug - 8'
- Casters - 5" polyurethane, 2 swivel w/brakes 2 rigid
- Push bar
- Bumpers - stainless steel
- Door Panels - laminated plastic
- Additional pair 3" angle slides
- Door locks
- Legs - 2302, 2302P models only
- 440-480V Circuit
- Celsius thermometer in lieu of Fahrenheit
- 208V/1Ph; 208V/3Ph; 240V/1 PH; 240/3PH

AGENCY LISTING:



DUKE MANUFACTURING CO.
 2305 N. Broadway
 St. Louis, MO 63102

800.735.3853 Toll Free
 314.231.5074 Fax
 www.dukemfg.com

Approval Stamp(s):

PRODUCT INFORMATION:

PROJECT: _____
 ITEM: _____
 QUANTITY: _____

MODEL:

Thermotainer Food Holding Cabinets - "A" Series 9"H x 14"W x 23-1/2" D Compartments

- 2302** Reach-In 1 thermostat per compartment , w/o legs
- 2302P** Pass-Thru 1 thermostat per compartment , w/o legs
- 2303** Reach-In 1 thermostat per compartment , w/ legs
- 2303P** Pass-Thru 1 thermostat per compartment , w/ legs

BODY:

- Heavy gauge stainless steel, all panels except bottom
- Shell welded to interior
- Die-stamped compartment openings

DOORS:

- Stainless steel, die-stamped, embossed front
- Ribbed Interior
- Reinforced for mounting hardware
- Insulated with fiberglass
- Spring hinges die-stamped, with built-in-stop externally adjustable, completely concealed

COMPARTMENT:

- Heavy gauge stainless steel
- Rounded corners
- Stainless steel studs for angle slides at 3 levels
- (2) removable, adjustable, stainless steel, 3" angled slide pairs
- Removable liner for inspection and maintenance

ELECTRICAL CONTROLS:

- Recessed thermostat w/built-in On-Off switch
- Heat range 100° - 300° and dial thermometer
- Pilot lights
- Recessed connection box
- Removable access panel

DAMPERS:

- 2-position sliding type
- Controlled by push buttons
- Compartments individually controlled

INSULATION:

- Body fully insulated with 1-1/2" fiberglass

HEATING ELEMENTS:

- Sheath type strip heaters, 120 Volt, 1 Phase
- Removable compartment for ease of access to heating elements.

LEGS: (2303, 2303P models):

- Stainless steel die-stamped adjustable - 6"

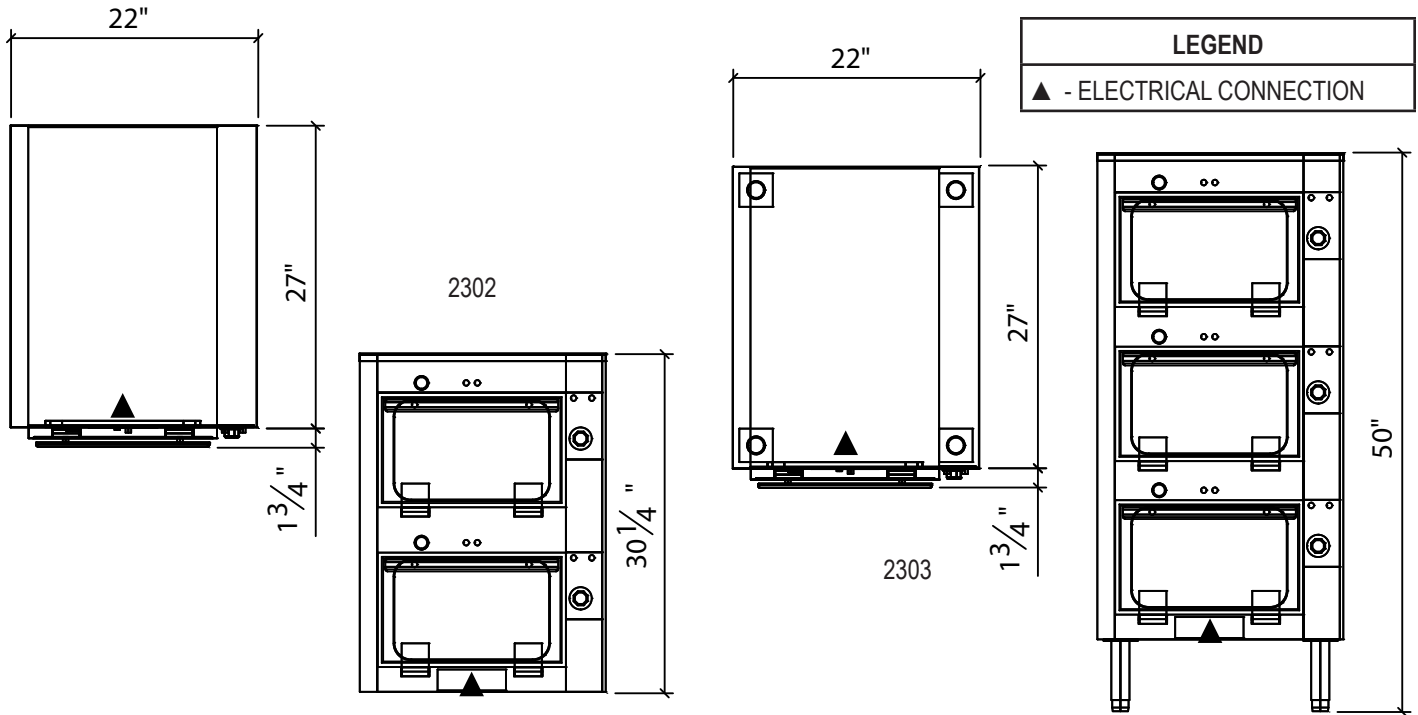
SHORT FORM SPECIFICATIONS:

Duke Thermotainers Food Holding Cabinets. Models 2302/2302P constructed with two (2) compartments. Models 2303/2303P to have three (3) compartments. Compartments 9"H x 14"W x 23-1/2"D. Each compartment to have two (2) pairs of removable stainless steel slides. One thermostat per compartment. 100o - 300oF heat range with dial thermometer. Built-in installation - allow 1/4" tolerance greater than body width.



**THERMOTAINER FOOD HOLDING CABINETS - "A" SERIES
9"H x 14"W x 23-1/2"D COMPARTMENTS**

- 2302** Reach-In 1 thermostat per compartment, w/o legs
- 2302P** Pass-Thru 1 thermostat per compartment, w/o legs
- 2303** Reach-In 1 thermostat per compartment, w/ legs
- 2303P** Pass-Thru 1 thermostat per compartment, w/ legs



DIMENSIONS:

Freight Class: 100

Model	Width		Depth		Height		omp. Depth		Cube ft. crated	Weight	
	in.	cm.	in.	cm.	in.	cm	in.	cm		lbs.	kg
2302	22	55.9	28-3/4	73.0	30-1/4	76.8	23-1/2	59.7	20.3	225	102.3
2302P	22	55.9	30-1/2	77.5	30-1/4	76.8	25-1/2	64.8	21.4	225	102.3
2303	22	55.9	28-3/4	73.0	50	127.0	23-1/2	59.7	30.8	400	181.8
2303P	22	55.9	30-1/2	77.5	50	127.0	25-1/2	64.8	32.4	400	181.8

ELECTRICAL SPECIFICATIONS: (Consult factory for 3-phase electrical requirements and other options.)

Model	Connected Load
2302	1500 watts
2302P	1500 watts
2303	2250 watts
2303P	2250 watts

	2302/2302P	2303/2303P
Capacity w/standard slides	(6) 12" x 20" x 2" pans or (4) 12" x 20" x 4" pans or (2) 12" x 20" x 8" pans	(9) 12" x 20" x 2" pans or (6) 12" x 20" x 4" pans or (3) 12" x 20" x 8" pans

- 2302 Reach In - hinged doors on front only
- 2302P Pass Thru - hinged doors on front & back for pass-thru service
- 2303 Reach In - hinged doors on front only
- 2303P Pass Thru - hinged doors on front & back for pass-thru service



DUKE MANUFACTURING CO.
2305 N. Broadway
St. Louis, MO 63102

800.735.3853 Toll Free
800.231.1130 In Missouri
314.231.5074 Fax
www.dukemfg.com

Specification subject to change