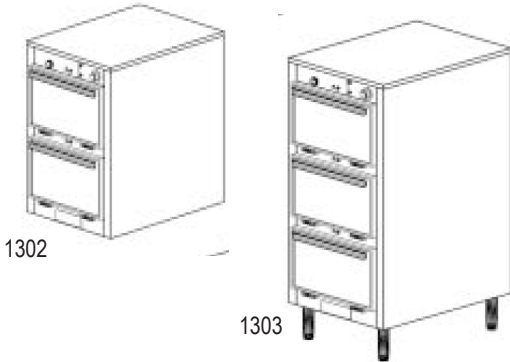




Specifications

F.O.B Sedalia, Missouri 65301



Approval Stamp(s):

PRODUCT INFORMATION:

PROJECT: _____
ITEM: _____
QUANTITY: _____

MODEL:

Thermotainer Food Holding Cabinets - "A" Series 9"H x 14"W x 23-1/2" D Compartments

- 1302 Reach-In 1 thermostat for all 2 compartments , w/o legs
- 1302P Pass-Thru 1 thermostat for all 2 compartments, w/o legs
- 1303 Reach-In 1 thermostat for all 3 compartments , w/ legs
- 1303P Pass-Thru 1 thermostat for all 3 compartments, w/ legs

BODY:

- Heavy gauge stainless steel, all panels except bottom
- Shell welded to interior
- Die-stamped compartment openings

DOORS:

- Stainless steel, die-stamped, embossed front
- Ribbed Interior
- Reinforced for mounting hardware
- Insulated with fiberglass
- Spring hinges die-stamped, with built-in-stop externally adjustable, completely concealed

COMPARTMENT:

- Heavy gauge stainless steel with rounded corners
- Stainless steel studs for angle slides at 3 levels
- (2) removable, adjustable, stainless steel, 3" angled slide pairs
- Removable liner for inspection and maintenance

ELECTRICAL CONTROLS:

- Recessed thermostat w/built-in On-Off switch
- Heat range 100° - 300° and dial thermometer
- Pilot lights
- Recessed connection box
- Removable access panel

DAMPERS:

- 2-position sliding type
- Controlled by push buttons
- Compartments individually controlled

INSULATION:

- Body fully insulated with 1-1/2" fiberglass

HEATING ELEMENTS:

- Sheath type strip heaters, 120 Volt, 1 Phase
- Removable compartment for ease of access to heating elements.

LEGS:

- Stainless steel die-stamped adjustable - 6" high

SHORT FORM SPECIFICATIONS:

Duke Thermotainers Food Holding Cabinets. Models 1302/1302P constructed with two (2) compartments. Models 1303/1303P to have three (3) compartments. Compartment 14"W x 9"H x 23-1/2"D. Each compartment to have two (2) pairs of removable stainless steel slides. One thermostat controls all compartments. Built-in installation - allow 1/4" tolerance greater than body width 100°-300°F heat range and dial thermometer, and 1303/1303P models with 6" high stainless steel legs.

OPTIONS:

- Enclosed base - 6" high
- Cord and plug - 8'
- Casters - 5" polyurethane, 2 swivel w/brakes 2 rigid
- Push bar
- Bumpers - stainless steel
- Door Panels - laminated plastic
- Additional pair 3" angle slides
- Door locks
- 440-480V Circuit
- Legs - for 1302/1302P models only
- Celsius thermometer in lieu of Fahrenheit
- 208V/1Ph; 208V/3Ph; 240V/1 PH; 240/3PH

AGENCY LISTING:



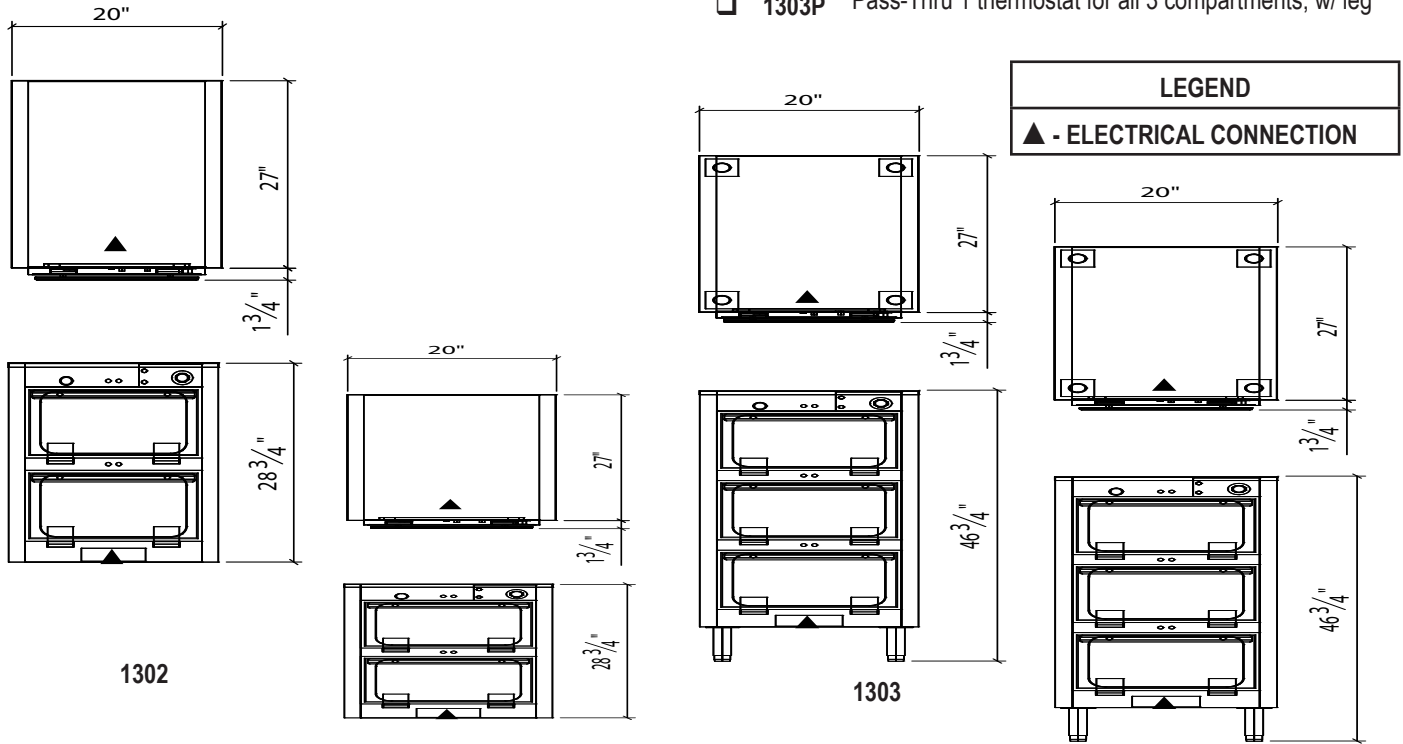
DUKE MANUFACTURING CO.
2305 N. Broadway
St. Louis, MO 63102

800.735.3853 Toll Free
314.231.5074 Fax
www.dukemfg.com



**THERMOTAINER FOOD HOLDING CABINETS -
"A" SERIES 9"H x 14"W x 23-1/2"D COMPARTMENTS**

- 1302** Reach-In 1 thermostat for all 2 compartments, w/o legs
- 1302P** Pass-Thru 1 thermostat for all 2 compartments, w/o legs
- 1303** Reach-In 1 thermostat for all 3 compartments, w/ legs
- 1303P** Pass-Thru 1 thermostat for all 3 compartments, w/ leg



Freight Class: 100

DIMENSIONS:

Model	Width		Depth		Height		Comp. Depth		Cube ft. crated	Weight	
	in.	cm.	in.	cm.	in.	cm.	in.	cm.		lbs.	kg.
1302	20	50.8	28-3/4	73.0	28-3/4	73.0	23-1/2	59.7	18.1	190	86.4
1302P	20	50.8	30-1/2	77.5	28-3/4	73.0	25-1/2	64.8	19.1	190	86.4
1303	20	50.8	28-3/4	73.0	46-3/4	118.8	23-1/2	59.7	27.0	350	159.1
1303P	20	50.8	30-1/2	77.5	46-3/4	118.8	25-1/2	64.8	28.4	350	159.1

ELECTRICAL SPECIFICATIONS: (Consult factory for 3-phase electrical requirements and other options.)

Model	Connected Load
1302	1000 watts
1302P	1000 watts
1303	1500 watts
1303P	1500 watts

	1302/1302P	1303/1303P
Capacity w/standard slides	(6) 12" x 20" x 2" pans or (4) 12" x 20" x 4" pans or (2) 12" x 20" x 8" pans	(9) 12" x 20" x 2" pans or (6) 12" x 20" x 4" pans or (3) 12" x 20" x 8" pans

- 1302 Reach In - hinged doors on front only
- 1302P Pass Thru - hinged doors on front & back for pass-thru service
- 1303 Reach In - hinged doors on front only
- 1303P Pass Thru - hinged doors on front & back for pass-thru service



DUKE MANUFACTURING CO.
2305 N. Broadway
St. Louis, MO 63102

800.735.3853 Toll Free
800.231.1130 In Missouri
314.231.5074 Fax
www.dukemfg.com

Specification subject to change