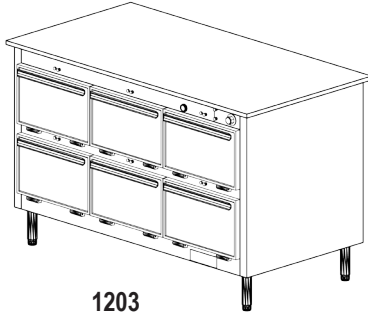




Specifications

F.O.B Sedalia, Missouri 65301



1203

OPTIONS:

- Enclosed base - 6" high
- Cord and plug - 8'
- Casters - 5" polyurethane, 2 swivel w/brakes 2 rigid
- Push bar
- Bumpers - stainless steel
- Door Panels - laminated plastic
- Additional 3" angle slides pairs
- Door locks
- 440-480V Circuit
- Celsius thermometer in lieu of Fahrenheit
- 208V/1Ph; 208V/3Ph; 240V/1 PH; 240/3PH

AGENCY LISTING:



DUKE MANUFACTURING CO.
 2305 N. Broadway
 St. Louis, MO 63102

800.735.3853 Toll Free
 314.231.5074 Fax
 www.dukemfg.com

Approval Stamp(s):

PRODUCT INFORMATION:

PROJECT: _____
 ITEM: _____
 QUANTITY: _____

MODEL:

Thermotainer Food Holding Cabinets - "A" Series 9"H x 14"W x 23-1/2" D Compartments

- 1203** Reach-In 1 thermostat, for all 6 compartments, w/legs
- 1203P** Pass-Thru 1 thermostat, for all 6 compartments, w/legs
- 1204** Reach-In 1 thermostat, for all 8 compartments, w/legs
- 1204P** Pass-Thru 1 thermostat, for all 8 compartments, w/legs

BODY:

- Heavy gauge stainless steel, all panels except bottom
- Shell welded to interior
- Die-stamped compartment openings
- Top 14 ga. S/S w/1" turned down edge and 1" overhang on all sides

DOORS:

- Stainless steel, die-stamped, embossed front
- Ribbed Interior
- Reinforced for mounting hardware
- Insulated with fiberglass
- Spring hinges die-stamped, with built-in-stop externally adjustable, completely concealed

COMPARTMENT:

- Heavy gauge stainless steel with rounded corners
- Stainless steel studs for angle slides at 3 levels
- (2) removable, adjustable, stainless steel, 3" angled slide pairs
- Removable liner for inspection and maintenance

ELECTRICAL CONTROLS:

- Recessed thermostat w/built-in On-Off switch
- Heat range 100° - 300° and dial thermometer
- Pilot lights
- Recessed connection box

DAMPERS:

- 2-position sliding type
- Controlled by push buttons
- Compartments individually controlled

INSULATION:

- Body fully insulated with 1-1/2" fiberglass, doors with fiberglass

HEATING ELEMENTS:

- Sheath type strip heaters, 120 Volt, 1 Phase
- Removable compartment for ease of access to heating elements.

LEGS:

- Stainless steel die-stamped adjustable - 6" high

SHORT FORM SPECIFICATIONS:

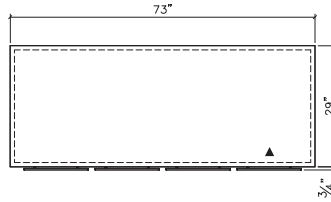
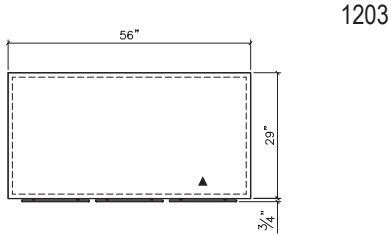
Duke Thermotainers Food Holding Cabinets. Models 1203/1203P constructed with six (6) compartments. Models 1204/1204P to have eight (8) compartments. Compartment 9"H x 14"W x 23-1/2"D. Each compartment to have two (2) pairs of removable stainless steel slides. One thermostat controls all compartments. Built-in installation - allow 1/4" tolerance greater than body width. 14 gauge stainless work top. 100°-300°F heat range with dial thermoeter and 6" high stainless steel legs



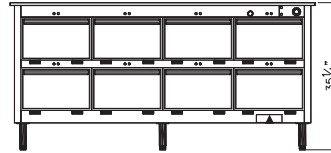
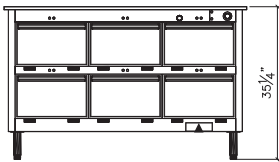
**THERMOTAINER FOOD HOLDING CABINETS - "A" SERIES
9"H x 14"W x 23-1/2"D COMPARTMENTS**

- 1203** Reach-In 1 thermostat for all 6 compartments, w/legs
- 1203P** Pass-Thru 1 thermostat for all 6 compartment, w/legs
- 1204** Reach-In 1 thermostat for all 8 compartments, w/legs
- 1204P** Pass-Thru 1 thermostat for all 8 compartment, w/legs

LEGEND
▲ - ELECTRICAL CONNECTION



1204



DIMENSIONS:

FREIGHT CLASS: 100

Model	Width		Depth		Height		Comp. Depth		Cube ft. crated	Weight	
	in.	cm.	in.	cm.	in.	cm.	in.	cm.		lbs.	kg
1203	56	142.2	29-3/4	75.6	35-1/4	89.5	23-1/2	59.7	52.4	600	272.7
1203P	56	142.2	31-1/2	80.0	35-1/4	89.5	25-1/2	64.8	55.1	600	272.7
1204	73	185.4	29-3/4	75.6	35-1/4	89.5	23-1/2	59.7	66.7	800	363.6
1204P	73	185.4	31-1/2	80.0	35-1/4	89.5	25-1/2	64.8	70.2	800	363.6

ELECTRICAL SPECIFICATIONS: (Consult factory for 3-phase electrical requirements and other options.)

Model	Connected Load
1203	2000 watts
1203P	2000 watts
1204	2500 watts
1204P	2500 watts

	1203/1203P	1204/1204P
Capacity w/standard slides	(18) 12" x 20" x 2" pans or (12) 12" x 20" x 4" pans or (6) 12" x 20" x 8" pans	(18) 12" x 20" x 2" pans or (12) 12" x 20" x 4" pans or (6) 12" x 20" x 8" pans

- 1203 hinged doors on front only
- 1203P hinged doors on front & back for pass-thru service
- 1204 hinged doors on front only
- 1204P hinged doors on front & back for pass-thru service



DUKE MANUFACTURING CO.

2305 N. Broadway
St. Louis, MO 63102

800.735.3853 Toll Free
800.231.1130 In Missouri
314.231.5074 Fax
www.dukemfg.com

Specification subject to change