



Specifications

F.O.B Sedalia, Missouri 65301



OPTIONS:

- Special height legs - **SKS-SPHT**
- Level handle drain, 2"NPS (3-1/2" opening) - **SKS-LD**
- Cross bracing - 2 sides (required on sinks over 34"H) - **SKS-CB2**
- Cross bracing - 3 sides - **SKS-CB3**
- Special size bowl (special depth) - **SKS-24**
- Stainless steel removable utensil chute - **SKS-CHUTE**

AGENCY LISTING:



DUKE MANUFACTURING CO.
 2305 N. Broadway
 St. Louis, MO 63102

800.735.3853 Toll Free
 314.231.1130 In Missouri
 314.231.5074 Fax
 www.dukemfg.com

Approval Stamp(s):

PRODUCT INFORMATION:

PROJECT: _____

ITEM: _____

QUANTITY: _____

MODEL:

Sinks - Portable Soak Sinks

Model	Bowl Size
<input type="checkbox"/> SKS20	20" x 20" x 4"D compartment
<input type="checkbox"/> SKS24	24" x 24" x 14"D compartment

BODY:

- 300 Series stainless steel
- 14 GA. (**SKS24**) or 16 GA. (**SKS20**) stainless
- 1-1/4" rolled edge all four sides

BOTTOM:

- Die-stamped with tapered grooves at least 1/4" D
- Drain depression for complete drainage
- Stainless steel drain, tail pipe, gate valve
- 1-1/2" brass drain and plug

LEGS:

- 1-5/8" OD stainless steel tubular
- NSF listed 4" swivel casters, two with locks
- Mounted with stainless steel fully enclosed gussets

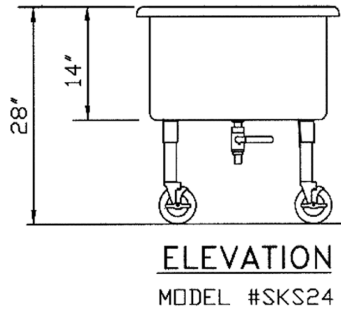
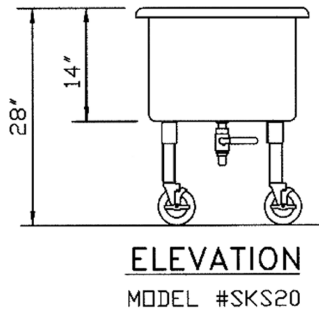
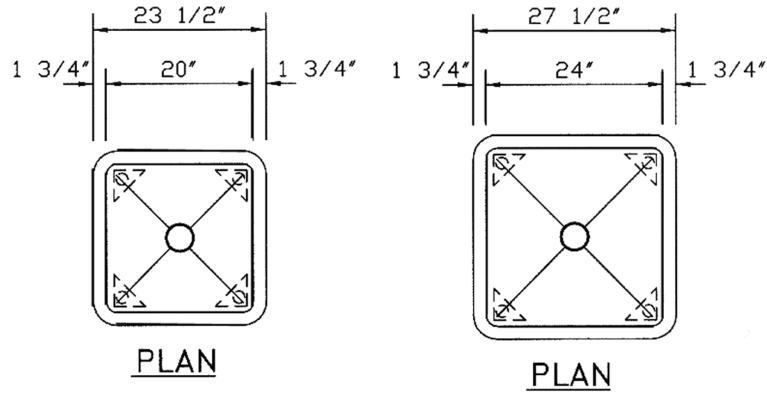
SHORT FORM SPECIFICATIONS:

Duke Sinks - Portable Soak Sinks. Body of SKS24 shall be 14 gauge, 300 Series stainless steel, with 1-1/4" rolled edge on all four sides. All vertical and horizontal corners to be covered on 1/4" NSF listed radius with intersections spherical and polished. Bottom to be die-stamped with tapered grooves at least 1/4" deep at drain depression to permit complete drainage and be fitted with stainless steel drain, tail pipe and gate valve. Sink to be mounted on 1-5/8" OD stainless steel tubular legs fitted with NSF listed 4" swivel casters, two with locks. Legs shall be mounted with stainless steel fully enclosed gussets. Includes 1-1/2" brass drain and plug.

Body of SKS20 same as above except fabricated from 16 gauge, 300 Series stainless steel.

**DUKE SINKS
PORTABLE SOAK SINKS**

Model	Bowl Size
<input type="checkbox"/> SKS20	20" x 20" x 4"D compartment
<input type="checkbox"/> SKS24	24" x 24" x 14"D compartment



DIMENSIONS:

Model	Length in/cm		Width - in/cm		Height - in/cm		Cube ft. crated	Weight	
	Inner	Outer	Inner	Outer	in.	cm		lbs.	kg
SKS20	20 / 50.8	23-1/2 / 59.7	20 / 50.8	23-1/2 / 59.7	28	71.1	4.5	63	28.6
SKS24	24 / 61.0	27-1/2 / 69.9	24 / 50.8	27-1/2 / 69.9	28	71.1	6.5	78	35.5



DUKE MANUFACTURING CO.
2305 N. Broadway
St. Louis, MO 63102

800.735.3853 Toll Free
800.231.1130 In Missouri
314.231.5074 Fax
www.dukemfg.com

Specification subject to change

01/10
Printed in U.S.A
© 2010, Duke Manufacturing Co.