



Specifications

F.O.B St. Louis, Missouri 63102



613Q-E3
(Shown w/optional casters)

OPTIONS:

- Stainless steel interior
- 27" stainless steel angular legs
- Open leg base, stainless steel, w/rack guides
- Stainless steel back enclosure panel
- Seismic feet
- Field stacking kit
- High Voltage (380/415/440/480)
- Casters
- Porcelain drip tray
- Extra oven racks - standard and deep depth
- Prison package - tamper proof screws, lexan hinged cover with lockable clasp
- Extended warranty

AGENCY LISTINGS:



DUKE MANUFACTURING CO.
2305 N. Broadway
St. Louis, MO 63102

800.735.3853 Toll Free
314-231-1130 In Missouri
314.231.5074 Fax
www.dukemfg.com

Approval Stamp(s):

PRODUCT INFORMATION:

PROJECT: _____
ITEM: _____
QUANTITY: _____

MODEL:

Duke Convection Ovens - "Q" Series Single Section - Deep Depth - Electric

- 613Q-E3** Single section, deep depth

STANDARD FEATURES:

- 6 racks/13 rack positions
- Porcelain interior finish
- 50/50 stainless steel doors
- Double pane glass both doors
- 27" angular painted legs

OVEN SECTION:

- Stainless steel front, sides and top
- 1-1/2" insulation on bottom, sides and back
- 3" insulation on top

OVEN CONTROLS:

- "V" - Basic snap action thermostat (200° - 500°F), 60 minute electric dial timer with continuous sound buzzer, 2-speed fan
- "XX" - Solid state digital time and temperature controls, 12-hour countdown timer, **Cook and Hold** feature, 2-speed fan, Pulse fan capability
- "ZZ" - 10 programmable menu buttons, 5-rack ID timers, computerized digital time and temperature controls, Cook and Hold feature, 2-speed fan, Pulse Fan capacity

SHORT FORM SPECIFICATIONS:

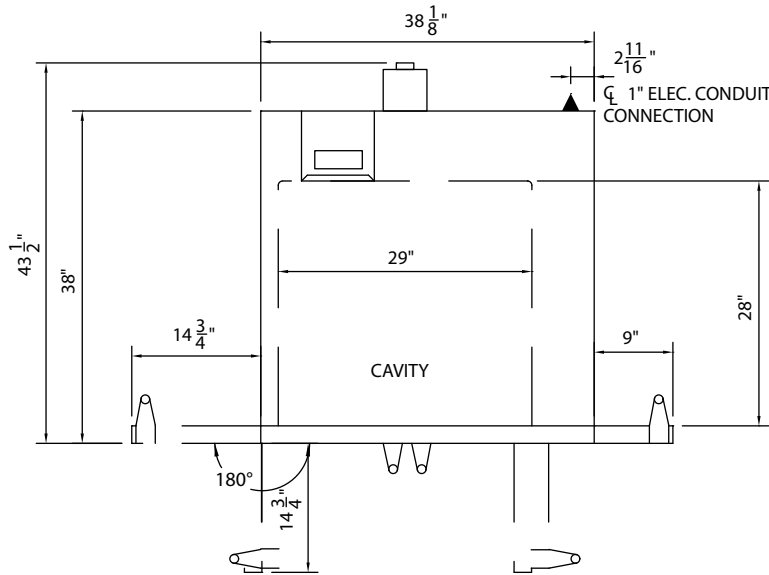
Duke Convection Ovens - "Q" Series - Electric - Single Section - Deep Depth. Unit shall have stainless steel exterior front, sides, door, top, interior door liners and door gaskets. Interior shall be porcelain enameled interior, with 6 racks and 13 rack positions and 7/8" radius covered corners. Unit shall have independently opening doors and 27" angular painted legs, with adjustable feet. Doors shall be 50/50 independently opening, stainless steel with double pane glass in both doors mounted on full length solid stainless steel shafts and bronze bushings for each door. Interior lighting to be (2) 50 watt, 115v bulbs. Bottom, sides and back shall be fully insulated with 1-1/2" thick insulation, top to have 3" thick insulation. Unit shall have 11 KW input, with 1/2 HP, 2-speed blower motor. An ON-OFF-COOL DOWN switch shall be supplied. Unit to be fused to protect against overload. Overall dimensions of unit shall be: 60" height, including 27" legs, 38" width, depth of 43-1/2" and cavity dimensions of 29"W x 24"H x 28"D.

DUKE CONVECTION OVENS
"Q" SERIES - ELECTRIC - STANDARD DEPTH

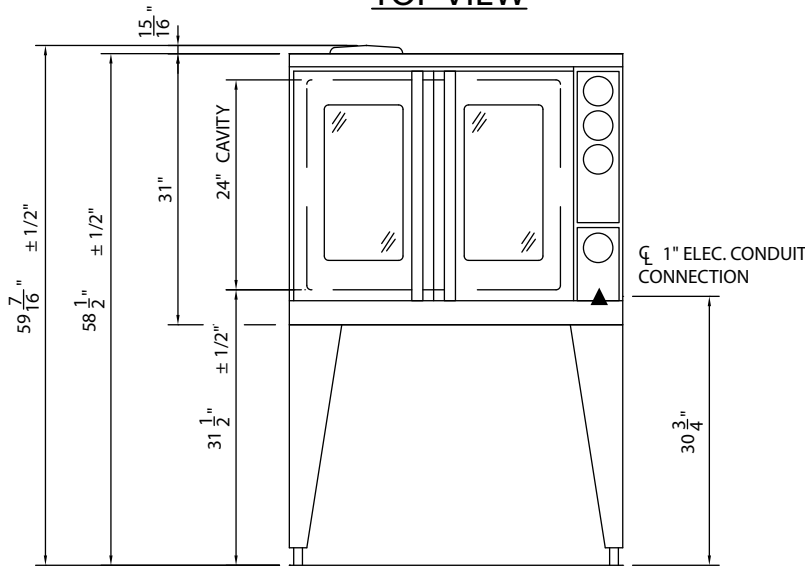
□ **613Q-E3** Single section, deep depth

Electrical Specifications - Per Section				
	208V Amps	240V Amps	480V Amps	KW
1 Phase	52.8	45.8	n/a	10.0
3 Phase	30.5	26.5	13.3	10.0

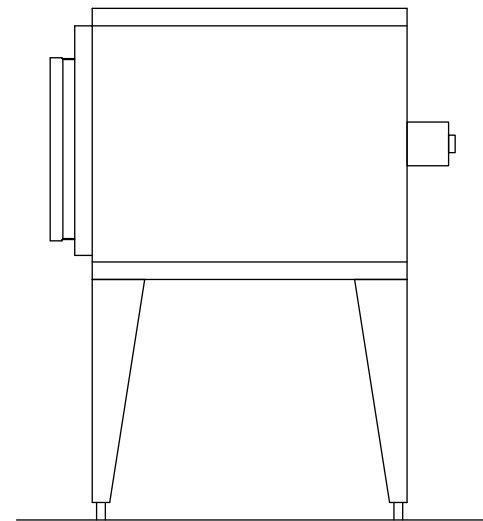
▲ - Electronic connection point



TOP VIEW



FRONT VIEW



RIGHT SIDE VIEW

DIMENSIONS:

FREIGHT CLASS: 85

Model	Depth front view		Width		Height top view		Cube ft. crated	Weight	
	in	cm	in.	cm	in.	cm		lbs	kg
613Q-E3	43-1/2	110.5	38	96.5	60	152.4	65.4	505	230.0

DUKE MANUFACTURING CO.

2305 N. Broadway
 St. Louis, MO 63102

800.735.3853 Toll Free
 800.231.1130 In Missouri
 314.231.5074 Fax
www.dukemfg.com



Specification subject to change

01/10
 Printed in U.S.A
 © 2010, Duke Manufacturing Co.