



# Specifications

F.O.B Sedalia, Missouri 65301



HB3CM-N7

### OPTIONS:

- 10" deep liner in lieu of 8" deep
- Internal locking device
- False bottom - **FB-** \_\_\_\_\_
- 220v - 50 Hz compressor
- Condensate evaporator - **COND EVAP**
- 1-color laminate on body/second color laminate on tray slide-  
**HBMODA1**
- Laminate finish other than standard eight (8) finishes -  
**HBMODA2**
- Designer food shields (**TS Series**)
- Glass display shelves (**98x Series**)
- Buffet shelves (**83x, 93x Series**)
- Serving shelves (**956-x, 956-460 - x Series**)
- Kickplates - **HBMODH1** (stainless) / **HBMODH2** (painted)/  
**HBMODH3** (laminiate to match body)
- Heritage laminated trayslides
- End shelf
- Solid trayslides
- 3-bar trayslides
- Bread and cheese board - **HBMODJ1**
- Legs in lieu of casters
- Fluorescent Light
- Carving board/shelves (445x/442x)

### AGENCY LISTING:



**DUKE MANUFACTURING CO.**  
**2305 N. Broadway**  
**St. Louis, MO 63102**

**800.735.3853 Toll Free**  
**314.231.5074 Fax**  
**www.dukemfg.com**

## Approval Stamp(s):

### PRODUCT INFORMATION:

PROJECT: \_\_\_\_\_

ITEM: \_\_\_\_\_

QUANTITY: \_\_\_\_\_

### MODEL:

**Heritage Buffet - Cold Pan Units**  
**Mechanically Cooled - 8" Deep**  
**Meets NSF Standard 7**

- HB3CM-N7**                      46" length unit
- HB4CM-N7**                      60" length unit
- HB5CM-N7**                      74" length unit

### TOP:

- 16 gauge, 300 Series stainless steel
- Flanged down 2" on all four sides
- Formed down into one heavy gauge stainless steel cold pan

### BODY:

- Heavy gauge paint grip steel
- Laminate patters:
  - Beige Grafix - **HB-01**                      □ Stellar - **HB-03**
  - Oxide - **HB-04**                              □ Northern Oak - **HB-06**
  - Fallen Leaves - **HB-07**                      □ Azul Granite - **HB-13**
  - Chestnut Burl - **HB-11**                      □ Amber Maple - **HB-12**
- Stainless steel trim strips on corners
- Flanged and channeled edges for strength
- Welded together with reinforcements
- Stainless steel removable grille
- Mounted on NSF listed 5" diameter swivel casters, two with locks, all non-marking polyurethane tires
- 6' electric cord and plug

### MECHANICALLY COOLED PAN SECTION

- 18 gauge, 300 Series stainless steel liner, 5" deep
- 1" cast brass drain and plug
- Insulated on all four sides and bottom
- Refrigerated coils, controls and compressor compartment - R134A
- Removable stainless brackets and adapter bars to hold food pans 3" below counter top

### SHORT FORM SPECIFICATIONS:

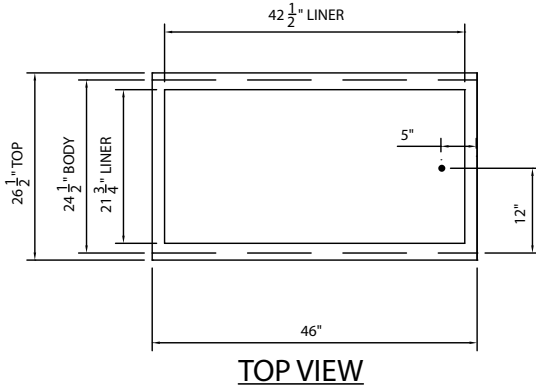
**Duke Heritage Buffet - Cold Pan - Mechanically Cooled - 8" Deep - Meets NSF Standard 7.** Top shall be constructed of 16 gauge, 300 Series stainless steel, with edges flanged down 2" on all four sides. Body of units shall be heavy gauge paint grip steel with option of eight (8) laminate patterns. Stainless steel trim strips on corners of body panels. Stainless steel cold pan of 18 gauge, 300 Series. 1" cast brass drain and plug. Insulated on all four sides and bottom. Cold pan to be 8" deep. Refrigerated coils, controls and compressor compartment. 6' electric cord and plug furnished. NSF listed casters, 5" diameter, polyurethane, swivel-type, two with locks, all non-marking tires, shall be furnished.

# HERITAGE<sup>®</sup>

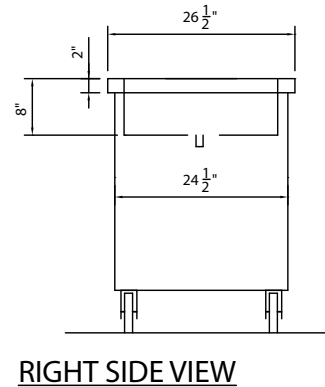
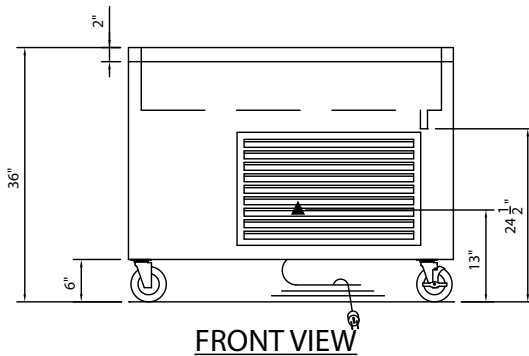
FROM **DUKE**

## Heritage Buffet - Cold Pans Mechanically Cooled - 8" Deep Meets NSF Standard 7

- HB3CM-N7      46" length unit
- HB4CM-N7      60" length unit
- HB5CM-N7      74" length unit



LEGEND	
▲	ELECTRICAL CONNECTION
●	DRAIN LOCATION



**DIMENSIONS:**

8" Deep Mechanically Cooled Cold Pan - All Units 26-1/2" (67.31cn) Wide & 36" (91.4cm) Tall

FREIGHT CLASS: 150

Model	Length		Cold Pan Size						Cube ft. crated	Weight	
	in.	cm	L		W		D			lbs.	kg
			in.	cm	in.	cm	in.	cm			
HB3CM-N7	46	116.8	42-1/2	108.0	21-3/4	55.3	8	20.3	36.0	432	196.4
HB4CM-N7	60	152.4	56-1/2	143.5	21-3/4	55.3	8	20.3	45.7	570	259.1
HB5CM-N7	74	188.0	70-1/2	179.1	21-3/4	55.3	8	20.3	56.8	710	322.7

**ELECTRICAL SPECIFICATIONS:**

Model	HP	120 volt w/no lights	
		amps	NEMA
HB3CM-N7	1/4	3.9	5-15
HB4CM-N7	1/4	4.8	5-15
NB5CM-N7	1/3	4.8	5-15

**DUKE MANUFACTURING CO.**  
2305 N. Broadway  
St. Louis, MO 63102



800.735.3853 Toll Free  
800.231.1130 In Missouri  
314.231.5074 Fax  
[www.dukemfg.com](http://www.dukemfg.com)

Specification subject to change