



Your Solutions Partner

Specifications

F.O.B Sedalia, Missouri 65301



580-xx

OPTIONS:

- Fluorescent light
- Radiant heat rod w/incandescent light - 120v (steel shelf only)
- Radiant heat rod w/switch (steel shelf only)
- Special lengths or heights
- Special finish colors

Agency Listings:



DUKE MANUFACTURING CO.
2305 N. Broadway
St. Louis, MO 63102

800.735.3853 Toll Free
314.231.5074 Fax
www.dukemfg.com

Approval Stamp(s):

PRODUCT INFORMATION:

PROJECT: _____

ITEM: _____

QUANTITY: _____

MODEL: Foodshield - Designer Series - Self Service

Fits: Thurmaduke Steamtable, Aeroserv, Thurmaduke Serving Systems

- TS580-32 / TS580-32-1SN
 - TS580-46 / TS580-46-1SN
 - TS580-60 / TS580-60-1SN
 - TS580-74 / TS580-74-1SN
 - TS580-88 / TS580-88-1SN
- Self Service Style - 2-sided /
Self Service Style- 1-Sided

DISPLAY SHELVES:

- 1/4" tempered glass shelves
- 18 gauge stainless steel or paint steel frames
- Choice of (12) powder coat paint colors:

- | | |
|---|--|
| <input type="checkbox"/> #217105 - Bright White | <input type="checkbox"/> #217103 - Natural Almond |
| <input type="checkbox"/> #217150 - Orange | <input type="checkbox"/> #217154 - Racing Red |
| <input type="checkbox"/> #217107 - Hollyberry Red | <input type="checkbox"/> #217120 - Sky Blue |
| <input type="checkbox"/> #217127 - Fence Green | <input type="checkbox"/> #217152 - Stone Gray |
| <input type="checkbox"/> #217102 - Silver Hammer | <input type="checkbox"/> #217113 - Brown Kickplate |
| <input type="checkbox"/> #217101 - Semi-Gloss Black | <input type="checkbox"/> #217125 - Textured Black |

ENDS:

- 18 gauge stainless steel or choice of 12 powder coat colors

GUARDS:

- Adjustable 1/4" tempered glass food shield
- Stainless steel edge trim
- Clean acrylic enclosures both ends

SIZES:

- All units available in following lengths
31-3/4", 45-3/4", 59-3/4", 73-3/4", 87-3/4"

SHORT FORM SPECIFICATIONS:

Foodshield - TS580-xx Buffet Style - 2-sided, with adjustable glass guards, stainless steel or painted top and end panels. 16-1/2" wide shelf.

NSF Updates: (1) Removed upper guard (2) Changed guard style and added end guards to the other side (3) Added new label to upper shelf (4) Added new side shield to guard.

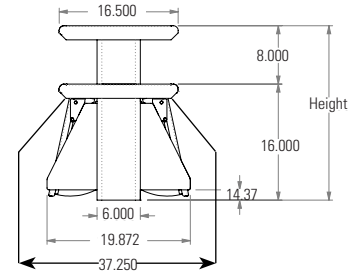
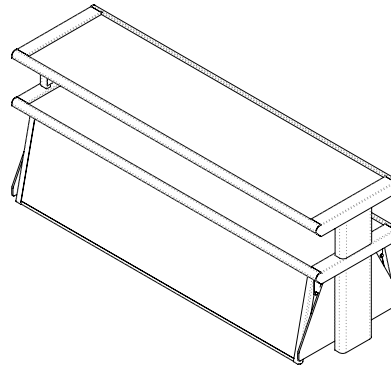
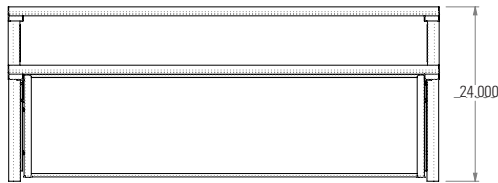
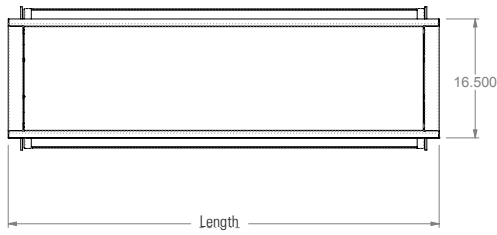
TS580-xx-1SN -1 sided, with adjustable glass, stainless steel or painted top and end panels. 16-1/2" wide shelf.

NSF Updates: (1) Removed upper guard (2) Changed guard style and added end guards to the other side (3) Added new label to upper shelf

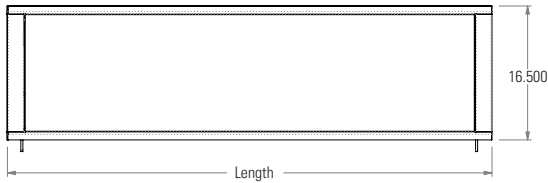
FOODSHIELD - DESIGNER SERIES

- ☐ TS580-32 / TS580-32-1SN
 - ☐ TS580-46 / TS580-46-1SN
 - ☐ TS580-60 / TS580-60-1SN
 - ☐ TS580-74 / TS580-60-1SN
 - ☐ TS580-88 / TS580-88-1SN
- Self Service - 2-sided / Shelf Service - 1-Sided

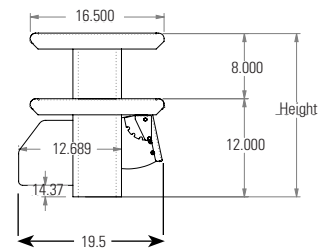
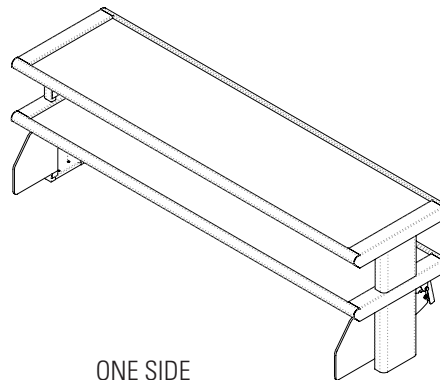
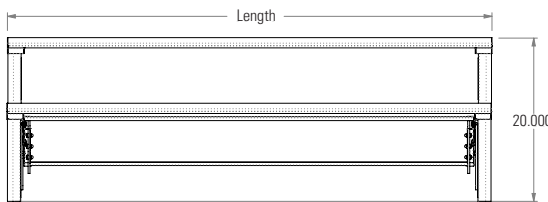
TS580-XX



TS580-XX-1SN



TS580-XX-1SN



DIMENSIONS:

Self Service - 2-sided or Single (1SN), 2-tier, w glass shelves, adjustable front glass, painted or stainless end panels.

Freight Class: 125

Model	Length		Height		Width		Weight		Cube ft. Crated	Model	Length		Height		Width		Weight		Cube Ft. Crated
	in.	cm	in.	cm	in.	cm	lbs.	kg			in.	cm	in.	cm	in.	cm	lbs.	kg	
TS580-32	32	81.3	24	50.8	37.250	78.7	85	38.6	16.5	TS580-32-1SN	32	81.3	20	50.8	19.5	57.2	65	29.6	12.6
TS580-46	46	116.8	24	50.8	37.250	78.7	100	45.5	22.5	TS580-46-1SN	46	116.8	20	50.8	19.5	57.2	80	36.4	17.3
TS580-60	60	152.4	24	50.8	37.250	78.7	120	54.6	28.6	TS580-60-1SN	60	152.4	20	50.8	19.5	57.2	100	45.5	21.9
TS580-74	74	188.0	24	50.8	37.250	78.7	145	65.9	34.7	TS580-74-1SN	74	188.0	20	50.8	19.5	57.2	125	56.8	26.6
TS580-88	88	223.5	24	50.8	37.250	78.7	165	75.0	40.8	TS580-88-1SN	88	223.5	20	50.8	19.5	57.2	145	65.9	31.2

DUKE MANUFACTURING CO.

2305 N. Broadway
St. Louis, MO 63102

800.735.3853 Toll Free
314.231.1130 In Missouri
314.231.5074 Fax
www.dukemfg.com

